

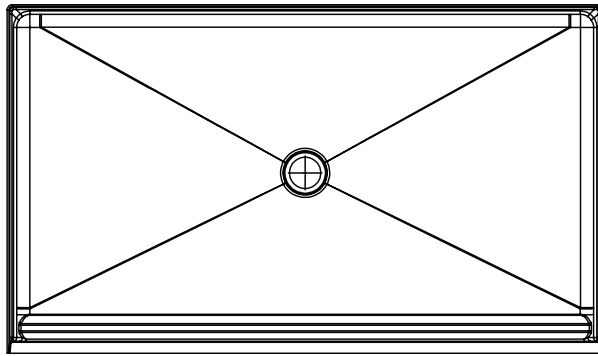
F6034DPAN – ACCESSIBLE SHOWER BASE

inches

Interior: 60 x 34 x 3 3/8

Exterior: 62 x 36 1/4 x 5

This shower base features innovative installation design, including an engineered leveled base and improved front threshold. A true time and money saver, our pre-leveled base lets you install directly on a **level** floor. And its front threshold is engineered to keep a constant level without the use of brackets during installation.



AQUATIC ADVANTAGE

- National distribution
- 7 manufacturing facilities
- Private fleet
- Centralized customer service
- Field support

COLOR & TRIM OPTIONS

Stock	Upgraded
White	Almond Biscuit Bone

**Additional custom colors available.
(Contact Customer Service)

FEATURES

- Pre-leveled base
- AcrylX™ applied acrylic surface
- 3/4 skirt
- 1/2 beveled threshold
- Barrier free when properly installed
- Integral nailing flange
- Center drain
- Lifetime limited warranty (30 year commercial)
- East zone only

CODE COMPLIANCE

- ADA
- ICC/ANSI A117.1
- CSA B45.5-11/
IAPMO Z124-2017
- CAN/CSA-B651-04
- HUD UM73a
- FHA

**Code compliant when fully equipped and installed according to guidelines.



Aquatic products may be
specified as Lasco Bathware.



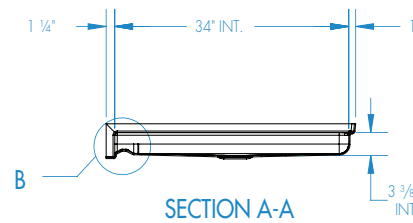
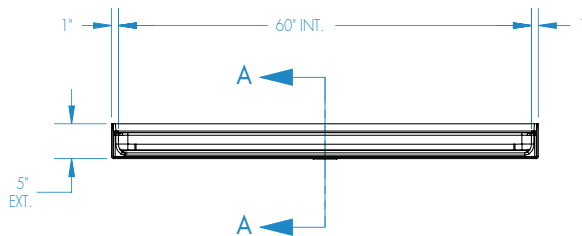
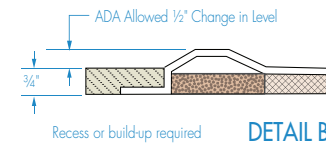
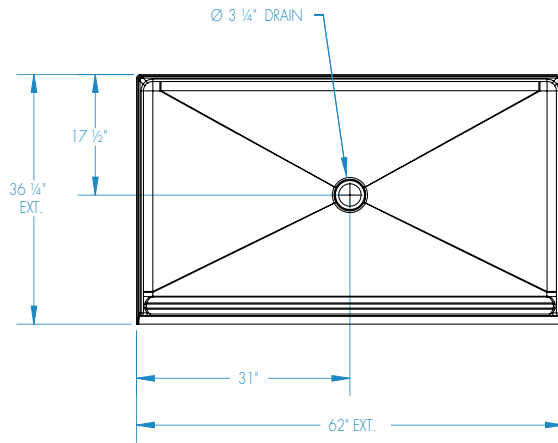
F6034DPAN

Interior: 60 x 34 x 3 3/8

Exterior: 62 x 36 1/4 x 5
inches



ADA/ANSI compliant when fully equipped and installed according to guidelines.



FEATURES

Dimensional Tolerance $\pm \frac{3}{8}$ ". Dimensions needed for site preparation should be measured from the unit. Aquatic assumes no responsibility for preparatory work.

Type and Model #	Material	Wall Finish	Pieces	Drain	Dam/Skirt Height	Net Wt. lbs	Pkg. Wt. lbs
Shower pan #F6034DPAN	AcrylXTM	Smooth	1	Center	3/4" skirt, 1/2" beveled threshold	31	40

DIMENSIONS

Specifications	inches
Width: Ext. / Int.	62 / 60
Depth: Ext. / Int.	36 1/4 / 34
Height: Ext. / Int.	5 / 3 3/8
Skirt Height:	3/4
Rough-In (from Back Wall)	17 1/2
Rough-Center (from Side Wall)	31

FRAMING DIMENSIONS inches

Type	D Depth	W Width	H Height	A	B	C
Alcove	36 1/4	62 1/8	-	Box Out	31	17 1/2

