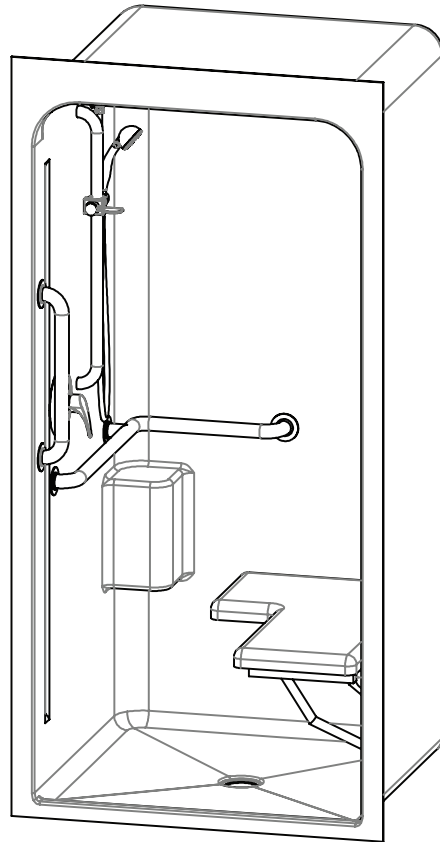


# 3636BFS – ACCESSIBLE SHOWERS

inches

Interior: 36 x 36 x 80 <sup>7</sup>/<sub>16</sub>

Exterior: 41 x 37 x 83 <sup>3</sup>/<sub>4</sub>



## FEATURES

- Premium cast acrylic surface
- 1 <sup>3</sup>/<sub>4</sub>" skirt
- <sup>1</sup>/<sub>2</sub>" interior threshold
- Barrier free when properly installed
- Smooth wall
- Center drain
- Molded toiletry shelf
- Integral dome
- 5-year limited warranty

## OPTIONS

- RH or LH fixture wall
- Grab bars
- Fold-up seat
- Hand-held shower assembly with slide bar
- Pressure balancing mixing valve
- Soap dish
- Curtain rod and/ or shower curtain
- Dome light

## AQUATIC ADVANTAGE

- National distribution
- 7 manufacturing facilities
- Private fleet
- Centralized customer service
- Field support

## COLOR & TRIM OPTIONS

Stock	Upgraded
White	Biscuit

\*\*Additional custom colors available.  
(Contact Customer Service)

## CODE COMPLIANCE

- ADA
- FHA
- ICC/ANSI A117.1
- IAPMO Z124-2017
- HUD UM73a
- CAN/CSA-B651-04
- CSA-B45-11

\*\*Code compliant when fully equipped and installed according to guidelines.



Aquatic products may be specified as Lasco Bathware.



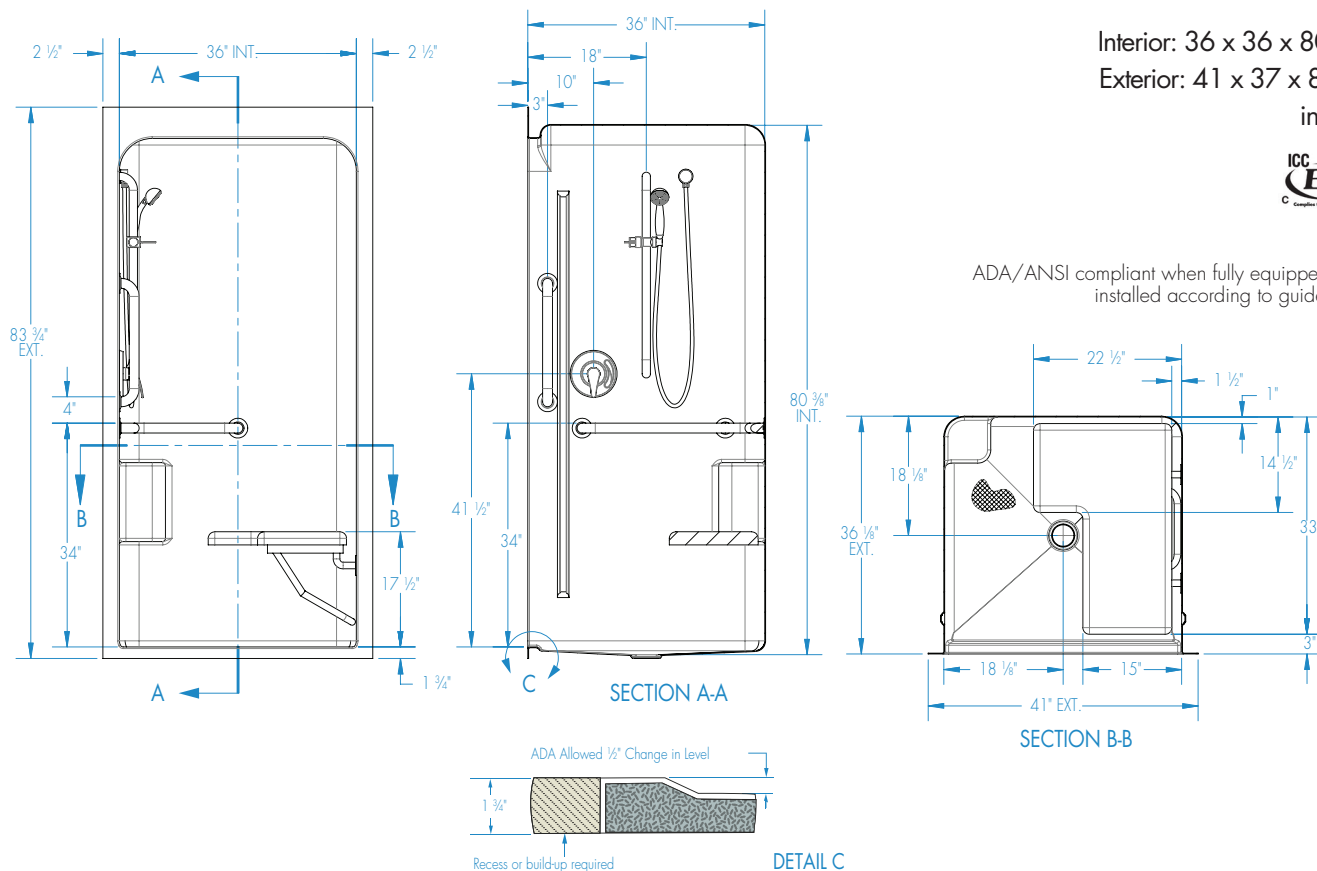
Aquatic products may be specified as Lasco Bathware.

# 3636BFS

Interior: 36 x 36 x 80 <sup>7</sup>/<sub>16</sub>  
 Exterior: 41 x 37 x 83 <sup>3</sup>/<sub>4</sub>  
 inches



ADA/ANSI compliant when fully equipped and installed according to guidelines.



## FEATURES

Dimensional Tolerance  $\pm \frac{3}{16}$ ". Dimensions needed for site preparation should be measured from the unit. Aquatic assumes no responsibility for preparatory work.

Type and Model #	Material	Wall Finish	Pieces	Drain	Dam/Skirt Height	Net Wt. lbs	Pkg. Wt. lbs
Shower #3636BFS	Cast Acrylic	Smooth	1	Center	1 3/4" skirt, 1/2" interior threshold	172	182

## DIMENSIONS

Specifications	inches
Width: Overall / Net	41 / 36
Depth: Overall / Net	37 / 36
Height: Overall / Net	83 3/4 / 80 7/16
Enclosure Opening:	36
Skirt Height:	1 3/4
Drain Rough-In (from Back Wall)	19
Drain Rough-In (from Side Wall)	20 1/2

## FRAMING DIMENSIONS inches

Type	D Depth	W Width	H Height	A	B	C
Alcove	37	41 1/8	-	Box Out	20 1/2	19

