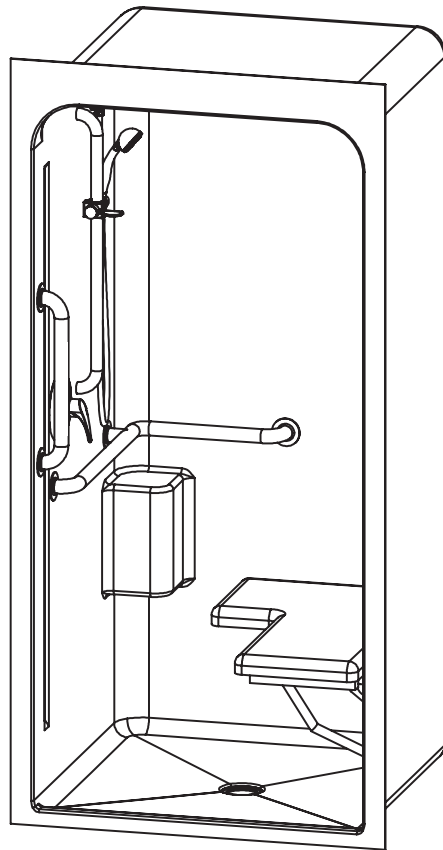


3636BFSC – ACCESSIBLE SHOWERS

inches

Interior: 36 x 36 x 80 ⁷/₁₆

Exterior: 41 x 37 x 83 ¹/₂



FEATURES

- Premium cast acrylic surface
- 1" skirt
- No interior threshold
- Barrier free when properly installed
- Smooth wall
- Center drain
- Molded toiletry shelf
- Integral dome
- 5-year limited warranty

OPTIONS

- RH or LH fixture wall
- Grab bars
- Fold-up seat
- Hand-held shower assembly with slide bar
- Pressure balancing mixing valve
- Curtain rod and/ or shower curtain
- Dome light

CODE COMPLIANCE

- ADA
- FHA
- ICC/ANSI A117.1
- HUD UM73a
- TAS
- IAPMO Z124-2017
- CAN/CSA-B651-04
- CSA-B45-11

**Code compliant when fully equipped and installed according to guidelines.

AQUATIC ADVANTAGE

- National distribution
- 7 manufacturing facilities
- Private fleet
- Centralized customer service
- Field support

COLOR & TRIM OPTIONS

Stock	Upgraded
White	Almond Biscuit Bone

**Additional custom colors available.
(Contact Customer Service)



Aquatic products may be specified as Lasco Bathware.



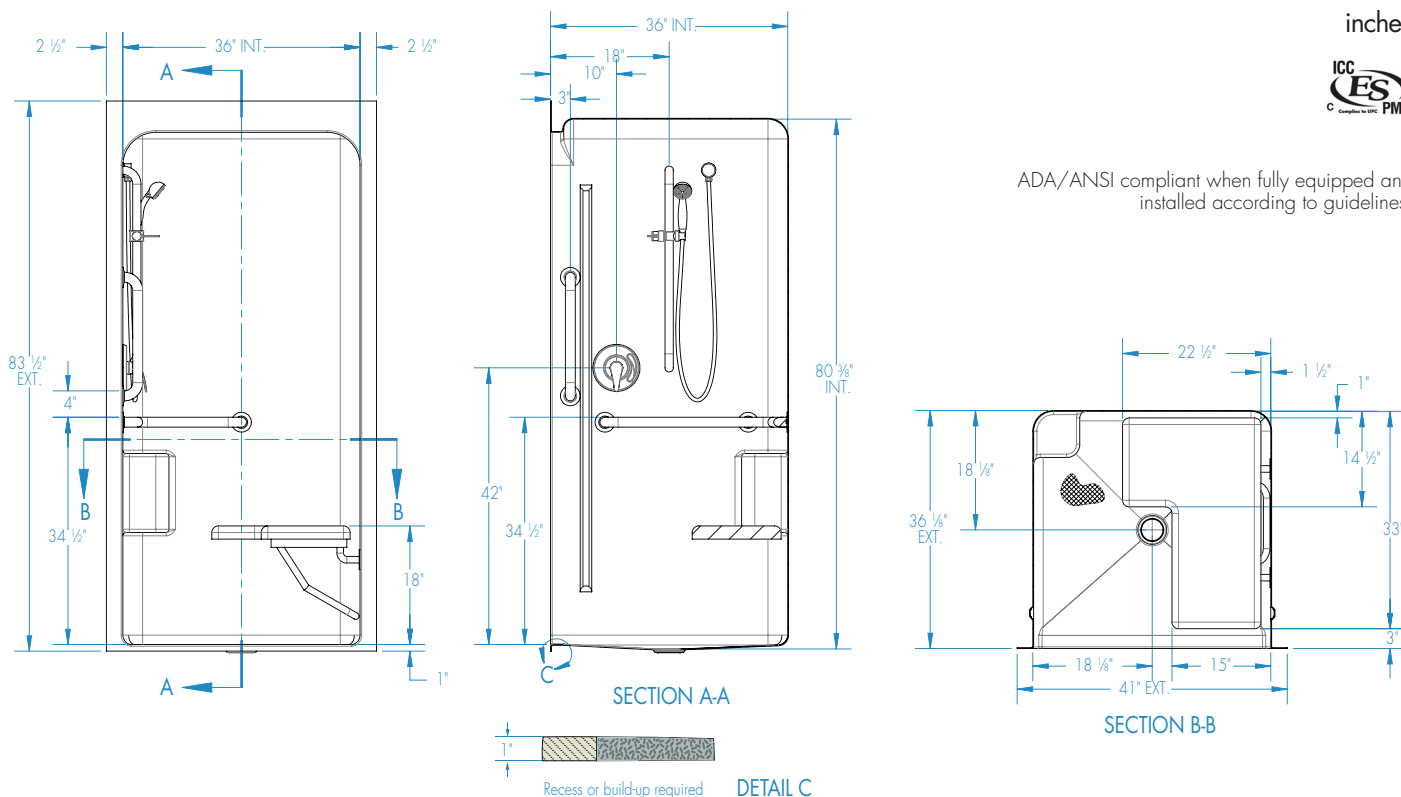
Aquatic products may be specified as Lasco Bathware.

3636BFSC

Interior: 36 x 36 x 80 ⁷/₁₆
Exterior: 41 x 37 x 83 ¹/₂
inches



ADA/ANSI compliant when fully equipped and installed according to guidelines.



FEATURES

Dimensional Tolerance $\pm \frac{3}{8}$ ". Dimensions needed for site preparation should be measured from the unit. Aquatic assumes no responsibility for preparatory work.

Type and Model #	Material	Wall Finish	Pieces	Drain	Dam/Skirt Height	Net Wt. lbs	Pkg. Wt. lbs
Shower #3636BFSC	Cast Acrylic	Smooth	1	Center	1" skirt, NO interior threshold	172	182

DIMENSIONS

Specifications	inches
Width: Overall / Net	41 / 36
Depth: Overall / Net	37 / 36
Height: Overall / Net	83 ¹ / ₂ / 80 ⁷ / ₁₆
Enclosure Opening:	36
Skirt Height:	1
Drain Rough-In (from Back Wall)	19
Drain Rough-In (from Side Wall)	20 ¹ / ₂

FRAMING DIMENSIONS inches

Type	D Depth	W Width	H Height	A	B	C
Alcove	37	41 ¹ / ₈	-	Box Out	20 ¹ / ₂	19

