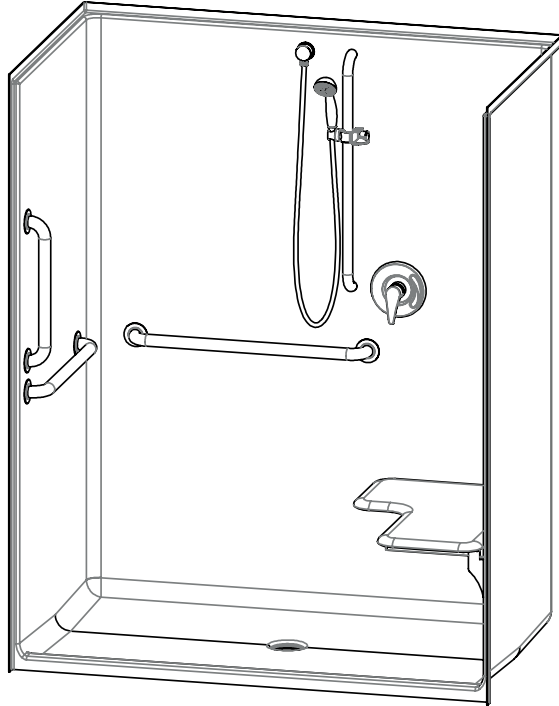


# 1603CFS – ACCESSIBLE SHOWERS

inches

Interior: 60 x 34 x 74 5/16

Exterior: 62 x 36 1/4 x 77 5/16



## AQUATIC ADVANTAGE

- National distribution
- 7 manufacturing facilities
- Private fleet
- Centralized customer service
- Field support

## COLOR & TRIM OPTIONS

Stock	Upgraded
White	Almond Biscuit Bone

\*\*Additional custom colors available.  
(Contact Customer Service)

## FEATURES

- AcrylX™ applied acrylic surface
- 1 3/4" skirt
- 1/2" interior threshold
- Barrier free when properly installed
- Smooth wall
- Center drain
- Lifetime limited warranty (30 year commercial)

## OPTIONS

- Grab bars
- Fold-up seat
- Hand-held shower assembly with slide bar
- Pressure balancing mixing valve
- Soap dish
- Curtain rod and/or shower curtain
- Dome light

## CODE COMPLIANCE

- ADA
- FHA
- ICC/ANSI A117.1
- IAPMO Z124-2017
- HUD UM73a
- CAN/CSA-B651-04
- CSA-B45-11

\*\*Code compliant when fully equipped and installed according to guidelines.



Aquatic products may be specified as Lasco Bathware.

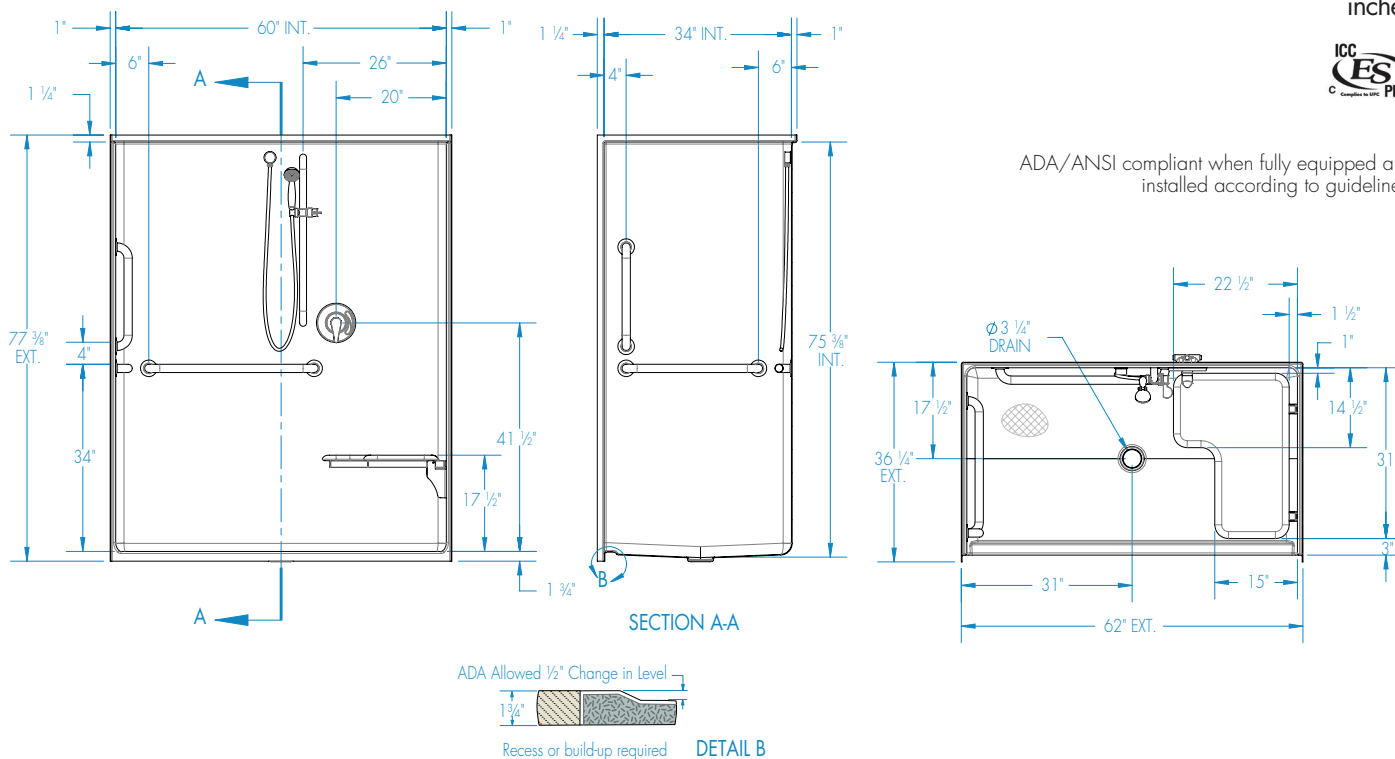


# 1603CFS

Interior: 60 x 34 x 74 5/16  
Exterior: 62 x 36 1/4 x 77 5/16  
inches



ADA/ANSI compliant when fully equipped and installed according to guidelines.



## FEATURES

Dimensional Tolerance  $\pm \frac{3}{8}$ ". Dimensions needed for site preparation should be measured from the unit. Aquatic assumes no responsibility for preparatory work.

Type and Model #	Material	Wall Finish	Pieces	Drain	Dam/Skirt Height	Net Wt. lbs	Pkg. Wt. lbs
Shower #1603CFS	AcrylX™	Smooth	1	Center	1 3/4" skirt, 1/2" interior threshold	165	175

## DIMENSIONS

Specifications	inches
Width: Overall / Net	62 / 60
Depth: Overall / Net	36 1/4 / 34
Height: Overall / Net	77 5/16 / 74 5/16
Enclosure Opening:	60
Skirt Height:	1 3/4
Drain Rough-In (from Back Wall)	17 1/2
Drain Rough-In (from Side Wall)	31

## FRAMING DIMENSIONS inches

Type	D Depth	W Width	H Height	A	B	C
Alcove	36 1/4	62 1/8	-	Box Out	31	17 1/2

