

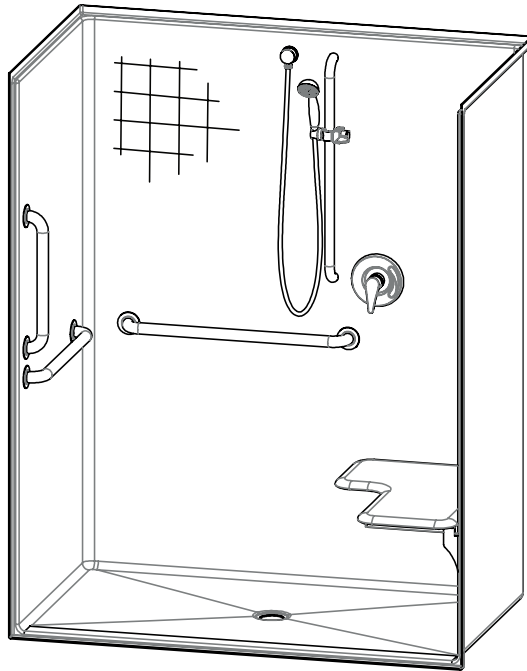
# 1603BFST – ACCESSIBLE SHOWERS

inches

Interior: 60 x 34 x 74 <sup>7</sup>/<sub>8</sub>

Exterior: 62 x 36 <sup>1</sup>/<sub>4</sub> x 76 <sup>7</sup>/<sub>8</sub>

The 1603BFST roll-in shower features innovative installation design, including an engineered leveled base and improved front threshold. A true time and money saver, our pre-leveled base lets you install directly on a **level** floor. And its front threshold is engineered to keep a constant level without the use of brackets during installation.



## FEATURES

- Pre-leveled base
- AcrylX™ applied acrylic surface
- <sup>3</sup>/<sub>4</sub>" skirt
- No threshold
- Barrier free when properly installed
- Smooth tile
- Center drain
- Lifetime limited warranty (30 year commercial)

## OPTIONS

- Grab bars
- Fold-up seat
- Hand-held shower assembly with slide bar
- Pressure balancing mixing valve
- Soap dish
- Curtain rod and/or shower curtain

## CODE COMPLIANCE

- ADA
- FHA
- ICC/ANSI A117.1
- HUD UM73a
- TAS
- IAPMO Z124-2017
- CAN/CSA-B651-04
- CSA-B45-11

\*\*Code compliant when fully equipped and installed according to guidelines.

## AQUATIC ADVANTAGE

- National distribution
- 7 manufacturing facilities
- Private fleet
- Centralized customer service
- Field support

## COLOR & TRIM OPTIONS

Stock	Upgraded
White	Almond Biscuit Bone

\*\*Additional custom colors available.  
(Contact Customer Service)



Aquatic products may be specified as Lasco Bathware.



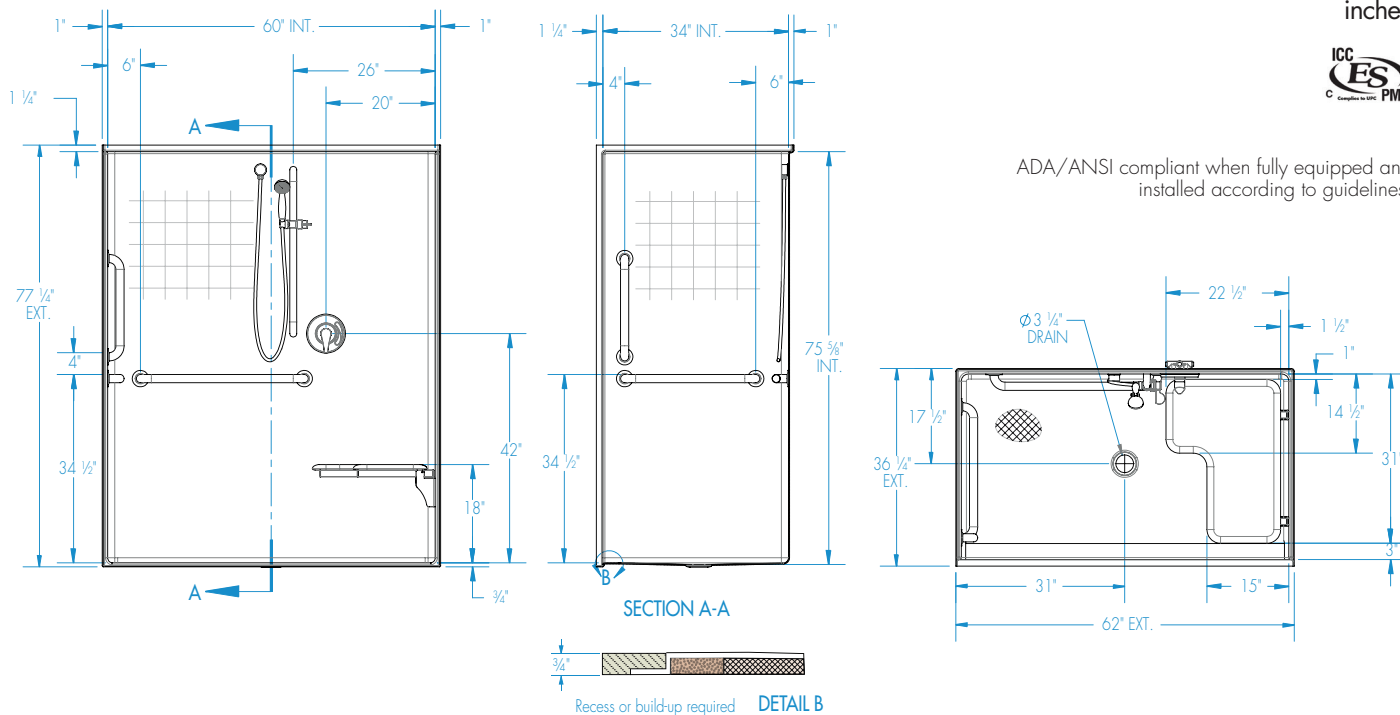
Aquatic products may be specified as Lasco Bathware.

# 1603BFST

Interior: 60 x 34 x 74 7/8  
Exterior: 62 x 36 1/4 x 76 7/8  
inches



ADA/ANSI compliant when fully equipped and installed according to guidelines.



## FEATURES

Dimensional Tolerance  $\pm 3/8$ ". Dimensions needed for site preparation should be measured from the unit. Aquatic assumes no responsibility for preparatory work.

Type and Model #	Material	Wall Finish	Pieces	Drain	Dam/Skirt Height	Net Wt. lbs	Pkg. Wt. lbs
Shower #1603BFST	AcrylX™	Smooth tile	1	Center	3/4" skirt, NO threshold	166	176

## DIMENSIONS

Specifications	inches
Width: Overall / Net	62 / 60
Depth: Overall / Net	36 1/4 / 34
Height: Overall / Net	76 7/8 / 74 7/8
Enclosure Opening:	60
Skirt Height:	3/4
Drain Rough-In (from Back Wall)	17 1/2
Drain Rough-In (from Side Wall)	31

## FRAMING DIMENSIONS inches

Type	D Depth	W Width	H Height	A	B	C
Alcove	36 1/4	62 1/8	-	Box Out	31	17 1/2

