

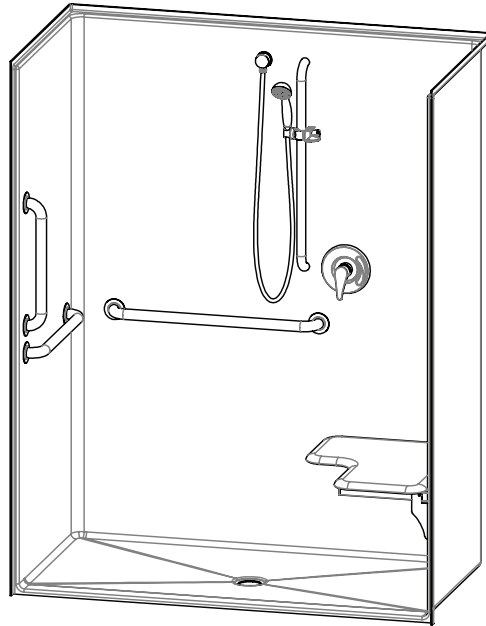
16030BFSC – ACCESSIBLE SHOWERS

inches

Interior: 60 x 30 ¼ x 77 ½

Exterior: 62 ¾ x 32 ¾ x 78 ½

The 16030BFSC roll-in shower features innovative installation design, including an engineered leveled base and improved front threshold. A true time and money saver, our pre-leveled base lets you install directly on a **level** floor. And its front threshold is engineered to keep a constant level without the use of brackets during installation.



AQUATIC ADVANTAGE

- National distribution
- 7 manufacturing facilities
- Private fleet
- Centralized customer service
- Field support

COLOR & TRIM OPTIONS

Stock	Upgraded
White	Almond Biscuit Bone

**Additional custom colors available.
(Contact Customer Service)

FEATURES

- Pre-leveled base
- AcrylX™ applied acrylic surface
- ¼ skirt
- ½ beveled threshold
- Barrier free when properly installed
- Smooth wall
- Center drain
- Lifetime limited warranty (30 year commercial)

OPTIONS

- Grab bars
- Fold-up seat
- Hand-held shower assembly with slide bar
- Pressure balancing mixing valve
- Soap dish
- Curtain rod and/or shower curtain

CODE COMPLIANCE

- ADA
- FHA
- ICC/ANSI A117.1
- IAPMO Z124-2017
- HUD UM73a
- CAN/CSA-B651-04
- CSA-B45-11

**Code compliant when fully equipped and installed according to guidelines.



Aquatic products may be specified as Lasco Bathware.

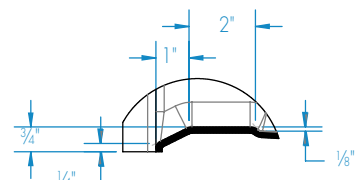
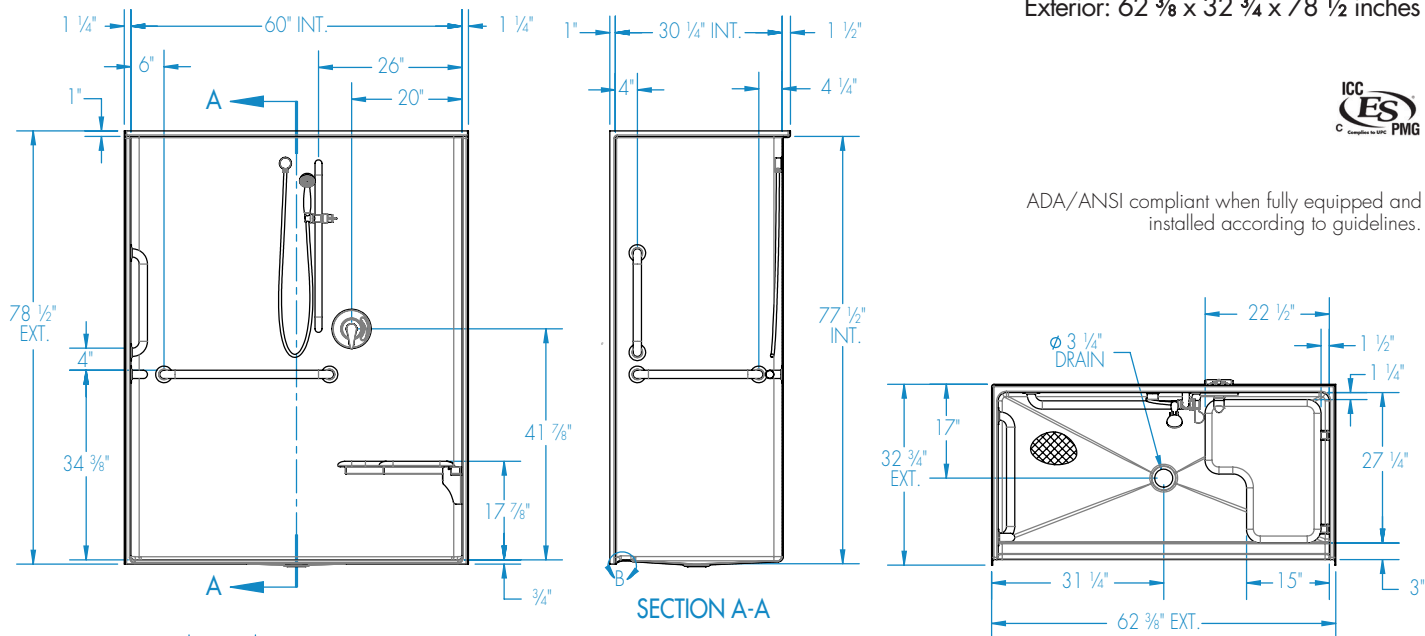


16030BFSC

Interior: 60 x 30 ¼ x 77 ½
Exterior: 62 ¾ x 32 ¾ x 78 ½ inches



ADA/ANSI compliant when fully equipped and installed according to guidelines.



DETAIL B FEATURES

Dimensional Tolerance ± 3/8". Dimensions needed for site preparation should be measured from the unit. Aquatic assumes no responsibility for preparatory work.

Type and Model #	Material	Wall Finish	Pieces	Drain	Dam/Skirt Height	Net Wt. lbs	Pkg. Wt. lbs
Shower # 16030BFSC	AcrylX™	Smooth wall	1	Center	¼" skirt, ½" beveled threshold	180	190

DIMENSIONS

Specifications	inches
Width: Overall / Net	62 ¾ / 60
Depth: Overall / Net	32 ¾ / 30 ¼
Height: Overall / Net	78 ½ / 77 ½
Enclosure Opening:	60
Skirt Height:	¼
Drain Rough-In (from Back Wall)	17
Drain Rough-In (from Side Wall)	31

FRAMING DIMENSIONS inches

Type	D Depth	W Width	H Height	A	B	C
Alcove	32 ¾	62 ½	-	Box Out	31	17

