



# Submittal Sheet

Aquatic products may be specified as Lasco Bathware.

# 1363EN

CUSTOMER: \_\_\_\_\_

JOB NAME: \_\_\_\_\_

PO #: \_\_\_\_\_

QUOTE #: \_\_\_\_\_ QUANTITY: \_\_\_\_\_

SHIP TO: \_\_\_\_\_

\_\_\_\_\_/\_\_\_\_\_/\_\_\_\_\_  
PLUMBING CONTRACTOR APPROVAL DATE

\_\_\_\_\_/\_\_\_\_\_/\_\_\_\_\_  
GENERAL CONTRACTOR APPROVAL DATE

\_\_\_\_\_/\_\_\_\_\_/\_\_\_\_\_  
ENGINEER APPROVAL DATE

\_\_\_\_\_/\_\_\_\_\_/\_\_\_\_\_  
ARCHITECT APPROVAL DATE

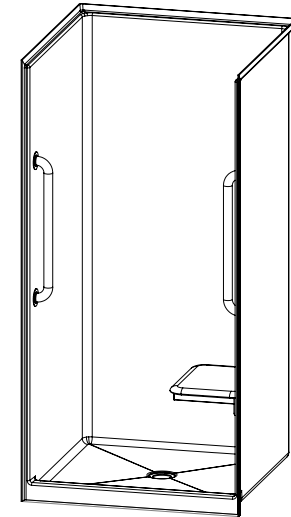
## STANDARD FEATURES

- Assisted living design
- 3" dam [low threshold]
- Center drain location
- Slip resistant, textured bottom [ASTM F-462]

## OPTIONS

- Fixture wall  LH  RH
- Vertical 24" grab bars [2]
  - Stainless steel (1 1/2" dia.)  Powder-coated white (1 1/4" dia.)
- Rectangular white-cushioned seat
  - Seat location  LH  RH
- Hand-held shower assembly with 30" slide bar and 60" hose
- Pressure balancing mixing valve
- Curtain rod
- Shower curtain
- Colors:
  - Standard  White
  - Upgraded  Almond  Biscuit  Bone
  - Other (contact customer service for custom color options)
- Brass drain
- Additional accessories \_\_\_\_\_

For pricing of units and additional options, reference The Aquatic Price Book.



- Int. Dim. 36 W x 36 D x 75 5/8 H
- Ext. Dim. 38 1/4 W x 38 5/8 D x 77 1/2 H
- Skirt Ht. 3 skirt
- Packaged Wt. 128 lbs. gross
- Material AcrylX™ applied acrylic
- Warranty AcrylX™ Finished Products — Lifetime Limited (30 year commercial)

inches

To complete your order, this document must be signed and faxed to the Aquatic Centralized Customer Service Center.  
**Fax (866) 544-5353 • Phone (800) 945-2726**

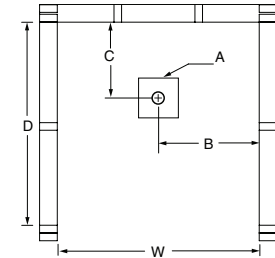


# Submittal Sheet

Aquatic products may be specified as Lasco Bathware.

# 1363EN

Please indicate changes needed.

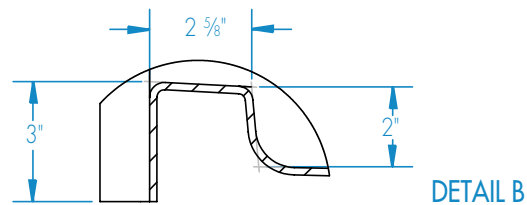
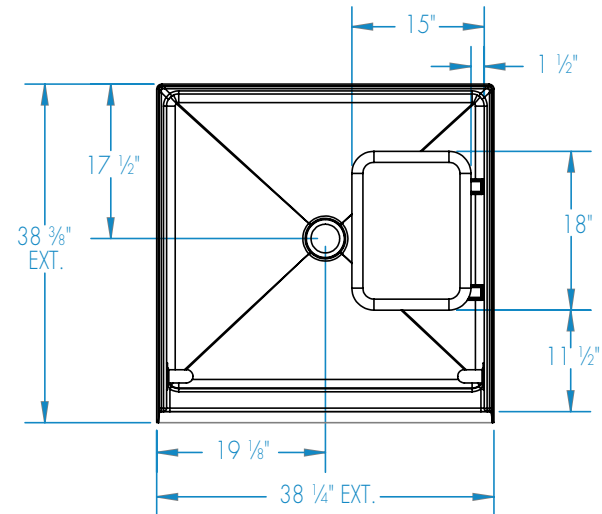
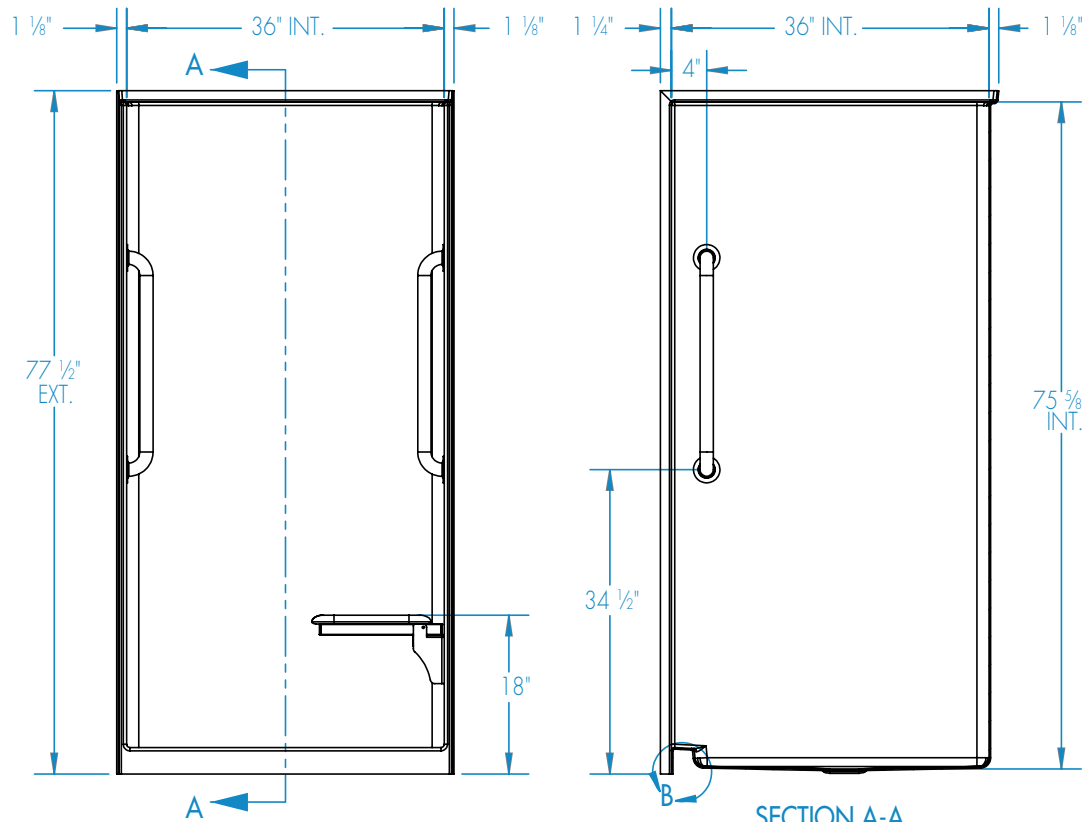


FRAMING DIMENSIONS inches

Type	D Depth	W Width	A	B	C
Alcove	38 3/8"	38 3/8"	Box Out	19 1/8"	17 1/2"

**Installation Options:**

1. Install in a recessed pit for rough-in floor installation.
2. Build sub-floor to level finished floor with top of shower threshold.



Shell tolerance: +0, - 3/8" All other tolerances: ± 1"



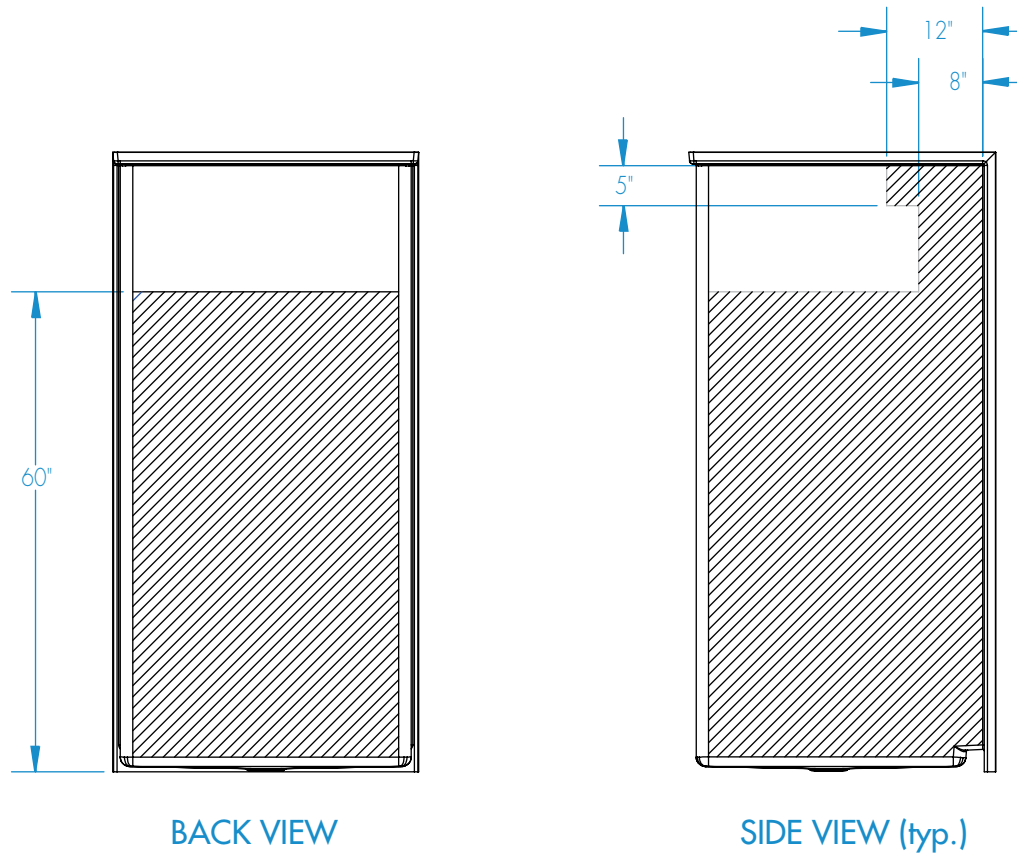
# Submittal Sheet

Aquatic products may be specified as Lasco Bathware.

# 1363EN

Please indicate changes needed.

## Reinforcement Locations (Standard)



 = GRAB BAR REINFORCEMENT

Shell tolerance: +0, - 3/8" All other tolerances: ±1"