



Submittal Sheet

Aquatic products may be specified as Lasco Bathware.

1363BFSC

CUSTOMER: _____
 JOB NAME: _____
 PO #: _____
 QUOTE #: _____ QUANTITY: _____
 SHIP TO: _____

_____/_____/_____
 PLUMBING CONTRACTOR APPROVAL DATE

_____/_____/_____
 GENERAL CONTRACTOR APPROVAL DATE

_____/_____/_____
 ENGINEER APPROVAL DATE

_____/_____/_____
 ARCHITECT APPROVAL DATE

STANDARD FEATURES

- Code compliant when fully equipped and installed according to guidelines
- Barrier-free design
- Center drain location
- Slip resistant, textured bottom [ASTM F-462]

CONFIGURATION

- Fully equipped with seat-ANSI
 Seat location LH RH
 Includes 1½" diameter stainless steel L-shaped grab bar;
 1½" dia. X 18" vertical grab bar; white-cushioned, L-shaped
 fold-up seat; pressure balancing mixing valve and hand-held
 shower assembly, (installed opposite side of seat)

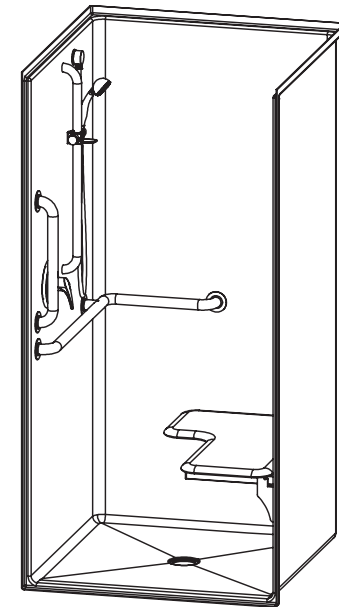
CUSTOM OPTIONS (not available if fully equipped)

- Fixture Wall LH RH Back wall
- Horizontal L-shaped grab bar
 Stainless steel (1½" dia.) LH RH
 Powder-coated white (1¼" dia.) LH RH
- Hand-held shower assembly with 30" slide bar and 60" hose
- Pressure balancing mixing valve

OPTIONAL ACCESSORIES (available for all models)

- Soap dish
- Curtain rod
- Shower curtain
- Vinyl flexible dam
- Removable threshold
- Brass drain
- Colors:
 Standard White
 Upgraded Almond Biscuit Bone
 Other (contact customer service for custom color options)
- Additional accessories: _____

For pricing of units and additional options, reference the Aquatic Price Book.



IMPORTANT: Showers with NO interior threshold will have water escape onto the bathroom floor. Aquatic highly recommends you take the following precautions:

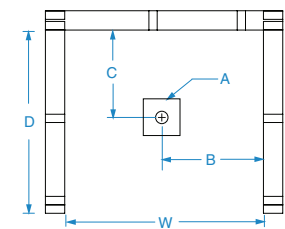
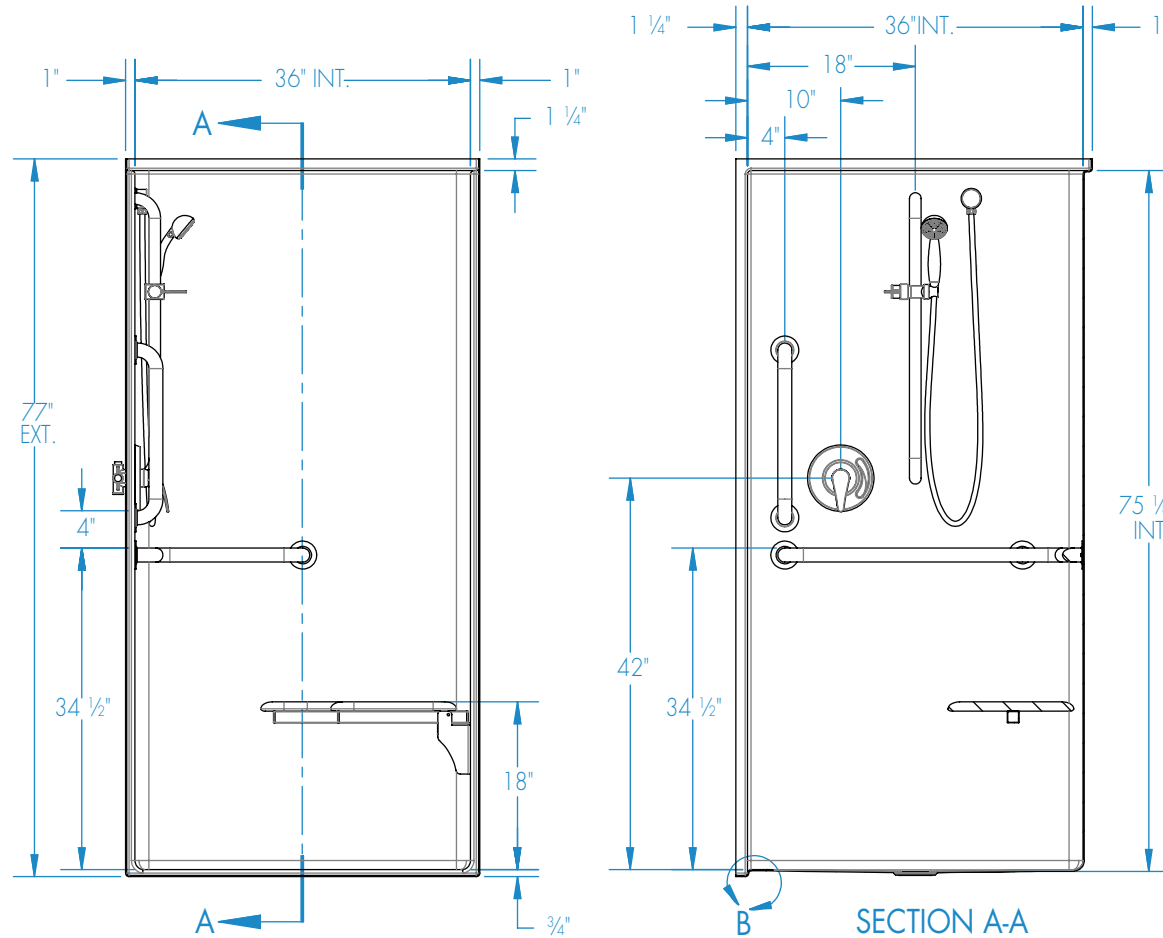
1. Install only the minimum number of units without an interior threshold required for each job. If possible install Aquatic's accessible models that have a ½" interior threshold to reduce the amount of water that escapes from the shower.
2. When installing units with NO interior threshold, install a FLOOR DRAIN to control the water that escapes onto the bathroom floor.
3. Depending on your application, you may choose to install Aquatic's vinyl flexible dam or removable threshold, which helps better retain water within the shower. However, these items may not necessarily meet ADA or other code requirements. Always confirm code compliance with your local building authority.

Int. Dim. 36 W x 36 D x 75 ½ H
 Ext. Dim. 38 W x 38 ¼ D x 77 H
 Skirt Ht. ¾ skirt, NO interior threshold
 Packaged Wt. 182 lbs. gross
 Material AcrylX™ applied acrylic
 Warranty AcrylX™ Finished Products — Lifetime Limited (30 year commercial)

inches

To complete your order, this document must be signed and faxed to the Aquatic Centralized Customer Service Center.

Fax (866) 544-5353 • Phone (800) 945-2726

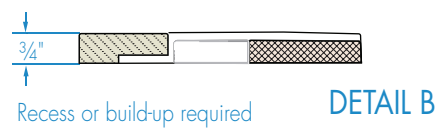
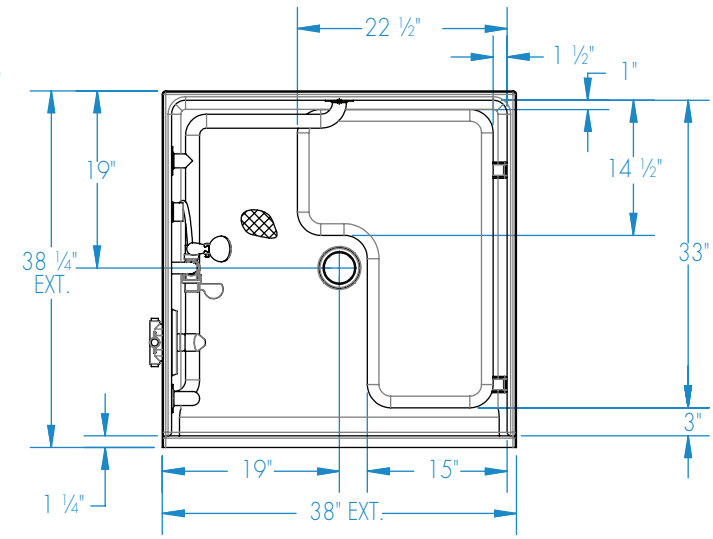


FRAMING DIMENSIONS inches

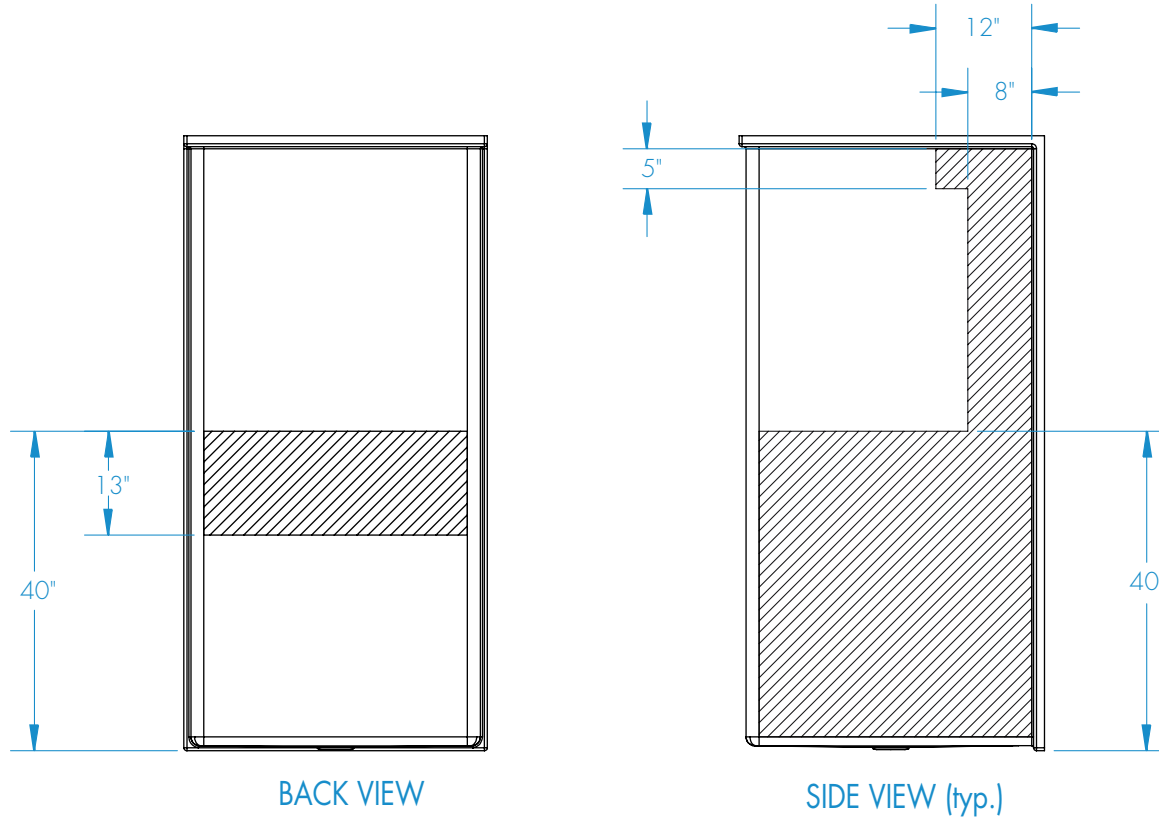
Type	D Depth	W Width	A	B	C
Alcove	38 1/4	38 1/8	Box Out	19	19

Installation Options:

1. Install in a recessed pit for rough-in floor installation.
2. Build sub-floor to level finished floor with top of shower threshold.



Reinforcement Locations (Standard)



 = GRAB BAR REINFORCEMENT

Curtain Rod and Soap Dish Locations (Standard Valve Configuration)

