

W6032SMIN – EVERYDAY BATHS

60 x 32 x 18 inches

SOAKER MODEL #W6032SMIN

WHIRLPOOL MODEL #W6032SMINWP



AQUATIC
The bath people

FEATURES

- Flat-front integral skirt
- Deep, minimalist bathing well
- Toiletry storage deck
- Slip resistant textured bottom
- Left or right drain
- Applied AcrylX™ surface
- Lifetime warranty

AVAILABLE SYSTEMS

WHIRLPOOL

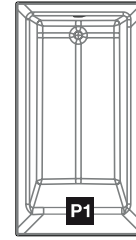
- Pneumatic on/off control
- 6 hydrotherapy jets (directional, adjustable)
- Whirlpool pump
- Removable access panels
- Safety suction system



W6032SMIN

60 x 32 x 18 inches

BASE MODEL	PKG. WT. LBS.	JETS	DRAIN	MODEL #	MSLP
<input type="checkbox"/> Soaker	63	0	LH or RH	W6032SMIN	\$1,195
<input type="checkbox"/> Whirlpool	103	6	LH or RH	W6032SMINWP	\$2,234



OPTIONS (X = INSERT DESIRED OPTION CODE)	ENTER DESIRED OPTION CODE	MSLP
AcrylX™ stock color (COLxx): White (WH)	_____	No charge
AcrylX™ color upgrade (COLxx): Biscuit (BI)	_____	\$35
Drain location (DLXX): Right Hand (RH) Left Hand (LH)	_____	No charge
Cable drive waste & overflow, color-matched (CDxxxx): Biscuit (BICD) White (WHCD)	_____	\$201
Cable drive waste & overflow (CDxxxx): Chrome (CHCD) Oil Rubbed Bronze (OBCD) Polished Brass (BRCD) Brushed Nickel (SNCD)	_____	\$201

*For program terms and conditions, see page iii.

BASE PRICE (insert MSLP of base model selected in upper table)	+ \$	_____
OPTIONS SUB TOTAL	\$	_____
ORDER TOTAL	= \$	_____

Customer Name: _____ Date: _____
 Additional Information: _____



EVERYDAY PREMIUM

PRODUCT FEATURES

- Flat-front integral skirt
- Toiletry storage deck

For series features see section page.

ILLUSTRATION KEY

P = Pump Location

ORDERING KEY

In the part number, "xx" means an option code must be inserted.

Cast Acrylic stock color (COLxx) ← part number

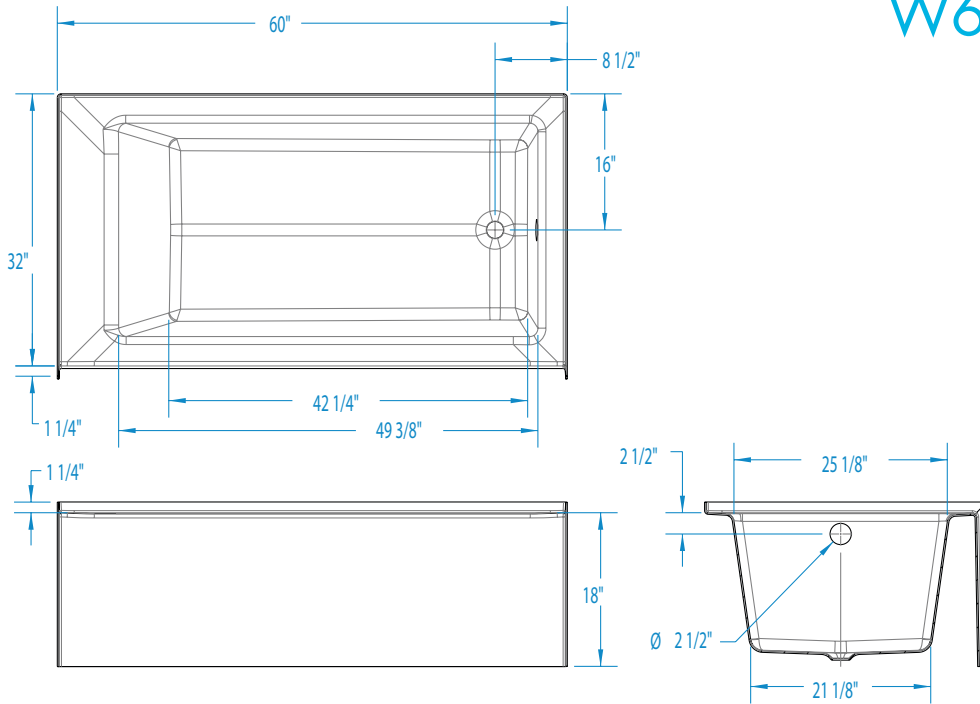
option code → White (WH)

Example: COLxx + WH = COLWH
 Cast Acrylic stock color in White

Manufacturer reserves the right to discontinue models, colors, options and trim finishes without notice.

W6032SMIN

60 x 32 x 18 inches



FEATURES lbs Dimensional Tolerance $\pm \frac{3}{16}$ ". Dimensions needed for site preparation should be measured from the unit. Aquatic assumes no responsibility for preparatory work.

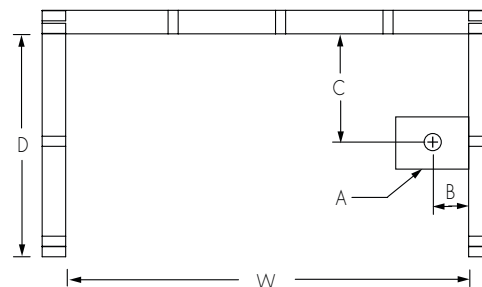
Model #	Material	Jets	Motor	Controls	Drain	Net Wt.	Pkg. Wt.
Soaker #W6032SMIN	AcrylX™	0	—	—	LH or RH	48	53
Whirlpool #W6032SMINWP	AcrylX™	6	63 GPM	Pneumatic	LH or RH	88	93

DIMENSIONS

Specifications	inches
Width: Overall / Net	60
Depth: Overall / Net	33 1/4 / 32
Height: Overall / Net	19 1/4 / 18
Enclosure Opening	—
Skirt Height	18
Drain Rough-In (from Back Wall)	16
Drain Rough-In (from Side Wall)	2 7/8
Drain: Diameter / Clearance	2 / 3/4

FRAMING DIMENSIONS inches

Type	D Depth	W Width	H Height	A	B	C
Alcove	33 1/4	60 1/8	19 1/4	Box Out	2 7/8	16



SUMP DATA

Top of Drain to Bottom of Overflow	Capacity to Overflow gal	Min. Operating Capacity gal	WIDTH @ centerline		DEPTH @ centerline	
			Top	Bottom	Top	Bottom
12 1/2	52	35	49 3/8	42 1/4	25 1/8	21 1/8