

RIVIERA MOTIF

ESTATE SERIES



72 x 42 x 23 3/4

WHIRLPOOL MODEL #W7242M

AIR-WHIRLPOOL MODEL #W33LUX7242



FEATURES ~

- Deep, ergonomic bathing well
- Pre-leveled support base
- Slip resistant floor
- Premium cast acrylic surface
- Limited lifetime warranty



Two Person Bath

AVAILABLE SYSTEMS

WHIRLPOOL

- Electronic control
- 9 hydrotherapy jets
 - 3-jet back, shoulder and neck massage system (dual port, spinning)
 - Leg and foot jets
- Whirlpool pump

AIR-WHIRLPOOL COMBINATION

- Whirlpool system, plus:
- Perimeter air system
- Variable speed heated-air blower with purge and dry cycle
- Electronic wave and pulse modes
- 1.5kW inline maintenance heater

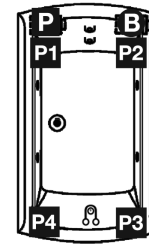


Rev. 10.05.20

RIVIERA MOTIF

72 x 42 x 23 3/4

BASE MODEL	PKG. WT. LBS.	JETS	DRAIN	MODEL #	MSLP
<input type="checkbox"/> Whirlpool	249	9	Center Front	W7242M	\$4,632
<input type="checkbox"/> Air-Whirlpool	257	9	Center Front	W33LUX7242	\$6,499



OPTIONS (x = insert desired option code)	ENTER DESIRED OPTION CODE	MSLP
Cast acrylic stock color (COLxx): White (WH)	_____	No charge
Cast acrylic color upgrade (COLxx): Biscuit (BI)	_____	\$35
Cast acrylic premium color upgrade (COLUxx): Black (BK) Sterling Silver (ST)	_____	\$389
Pump location (PLxx): Standard Location (L1) Location 2 (L2) Location 3 (L3) Location 4 (L4) (whirlpool only)	_____	No charge
Metallic trim finish: Chrome (MTCH)	_____	\$315
Metallic trim finish (MTxx): Polished Brass (BR) Brushed Nickel (SN)	_____	\$390
Bolt-on grab bar (1) (BOGBxxx): Chrome (SS1) White (WH1) Biscuit (BI1)	_____	\$105
Bolt-on grab bar (1) (BOGBxxx): Polished Brass (BR1) Brushed Nickel (SN1) Oil Rubbed Bronze (OB1)	_____	\$129
Magnetic pillow (MPxxxxx): White (WHPIL) Black (BKPIL)	_____	\$105
Cable drive waste & overflow: Chrome (CDCHCD)	_____	\$345
Cable drive waste & overflow, color-matched (CDxxxx): Biscuit (BICD) White (WHCD)	_____	\$390
Cable drive waste & overflow (CDxxxx): Oil Rubbed Bronze (OBCD) Polished Brass (BRCD) Brushed Nickel (SNCD)	_____	\$440
Chromatherapy, installed (CLM1)	_____	\$335
Inline heater - 1.5kW, factory installed (whirlpool only) (HTH1)	_____	\$400
Wood shipping crate (PKCR)	_____	\$460
Rush order program* (DELQK)	_____	\$325
Residential delivery with lift gate* (DELLG)	_____	\$454

*For program terms and conditions, see page iii.

BASE PRICE (insert MSLP of base model selected in upper table)	+ \$	_____
OPTIONS SUB TOTAL	\$	_____
ORDER TOTAL	= \$	_____

Customer Name: _____ Date: _____
 Additional Information: _____

Rev. 10.05.20



AQUATIC
The bath people

ESTATE

PRODUCT FEATURES

· Two person bath

ILLUSTRATION KEY

AIR-WHIRLPOOL MODELS

P = Pump Location

B = Blower Location

WHIRLPOOL ONLY MODELS

P = Pump Location

ORDERING KEY

In the part number, "xx" means an option code must be inserted.

Cast Acrylic stock color ((COLxx)) ← part number

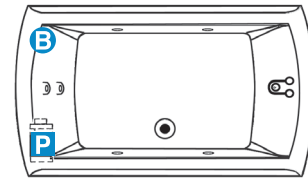
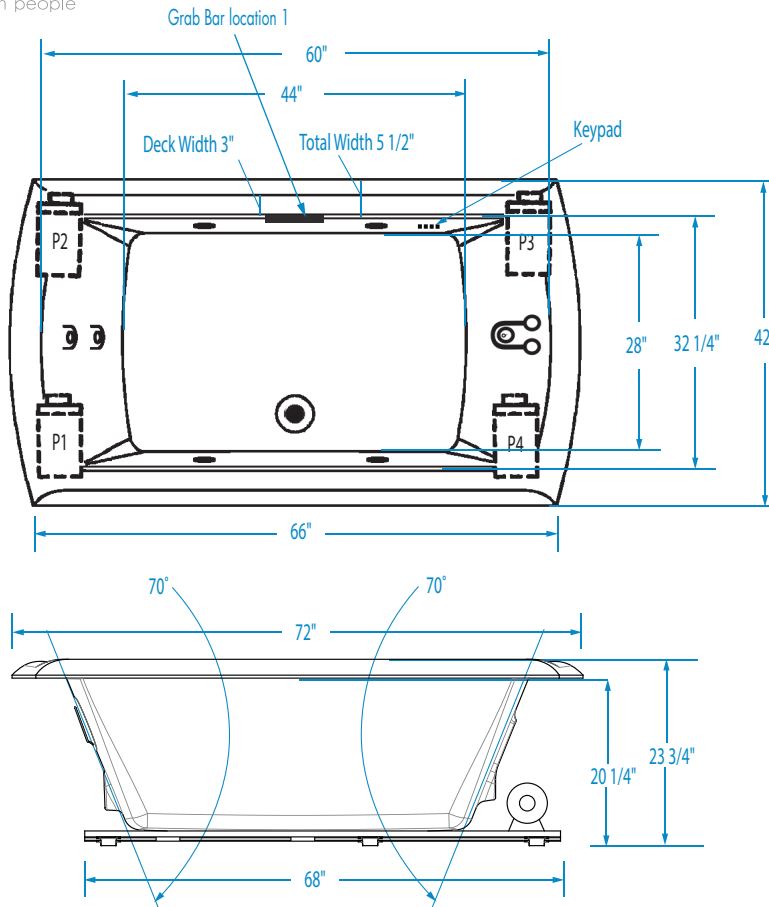
option code → White (WH)

Example: COLxx + WH = COLWH
 Cast Acrylic stock color in White

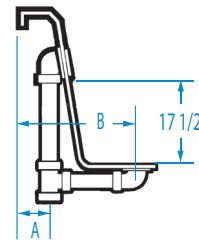
Manufacturer reserves the right to discontinue models, colors, options and trim finishes without notice.

RIVIERA MOTIF

72 x 42 x 23 3/4 inches



Note: For Air-whirlpool, no alternate pump/blower location available.



FEATURES lbs (kg) Dimensional Tolerance ± 3/8". Dimensions needed for site preparation should be measured from the unit. Aquatic assumes no responsibility for preparatory work.

Type and Model #	Material	Jets	Pump	Air System	Blower	Heater	Controls	Drain	Pkg. Wt.
Whirlpool #W7242M	Cast Acrylic	9	102 GPM	—	—	1.5 kw Inline (optional)	Electronic	Center Front	249
Air-Whirlpool #W33LUX7242	Cast Acrylic	9	102 GPM	Channel	Variable speed	1.5 kw Inline	Electronic	Center Front	257

DIMENSIONS inches

Width Overall / Net	Depth Overall / Net	Height Overall / Net	Skirt Height
72	42	23 3/4 / 21	—

SUMP DATA inches

Capacity to Overflow gal (ltr)	Min. Operating Capacity gal (ltr)	WIDTH @ centerline		DEPTH @ centerline	
		Top	Bottom	Top	Bottom
106	87	60	44	32 1/4	28

PLUMBING DIMENSIONS inches

A	B	Drain Diameter / Clearance
3 1/2	12 1/4	2 / 1 3/4

ELECTRICAL DATA

Component	Specification	Requirement
Pump	9 AMP; 120V	15 AMP; 120V, separate circuit; Class A GFCI
Optional Heater	1.5 kW; 12 AMP; 120V	15 AMP; 120V, separate circuit; Class A GFCI
Blower	1.0 HP; 9.5 AMP; 120V	15 AMP; 120V, separate circuit; Class A GFCI

NOTES:

1) Where applicable, utilize cut-out templates packed with unit for deck cutouts.

2) 16 x 16 minimum access required at pump/blower location(s).

3) If a (3T) tiling flange is selected, then the keypad is located opposite of the flange.

NOTE:

1) This whirlpool must be hard wired to the breaker box. Three outlets will be supplied on the air-whirlpool.