

Fiona 7239CF

Formerly Serenity 46

71 1/2 x 39 x 25 inches



AQUATIC

The bath people



FEATURES ~

- Ergonomic bathing well
- Freestanding design
- 2-person bathing
- Claw feet
- Slip resistant floor
- Premium cast acrylic surface
 - White only
- Ships in wood crate
- Limited lifetime warranty



Two Person Bath



Fiona 7239CF FORMERLY SERENITY 46

71 1/2 x 39 x 25

BASE MODEL	PKG. WT. LBS.	DRAIN	MODEL #	MSLP
<input type="checkbox"/> Soaker	194	Center Front	WY6717T0	\$5,935



SERENITY

PRODUCT FEATURES

- Two person bath
- Claw feet (Chrome standard)
- Available in White only
- Wood shipping crate

For series features see section page.

OPTIONS (x = insert desired option code)	ENTER DESIRED OPTION CODE	MSLP
Freestanding waste & overflow (FDxxxx): Chrome (CHCD)	_____	\$330
Freestanding waste & overflow (FDxxxx): White (WHCD)	_____	\$450
Freestanding waste & overflow (FDxxxx): Oil Rubbed Bronze (OB) Polished Brass (BRCD) Brushed Nickel (SNCD)	_____	\$515
Claw feet (FTXX): Chrome (CH) Oil Rubbed Bronze (OB) Polished Brass (PB) Brushed Nickel (BN) White (WH)	_____	No charge
Rush order program* (DELQK)	_____	\$325
Residential delivery with lift gate* (DELLG)	_____	\$454

*For program terms and conditions, see page iii.

BASE PRICE (insert MSLP of base model selected in upper table)	+ \$ _____
OPTIONS SUB TOTAL	\$ _____
ORDER TOTAL	= \$ _____

ORDERING KEY

In the part number, "xx" means an option code must be inserted.

Acrylic stock color (COLxx) ← part number

option code → White (WH)

Example: COLxx + WH = COLWH
Acrylic stock color in White

Customer Name: _____ Date: _____

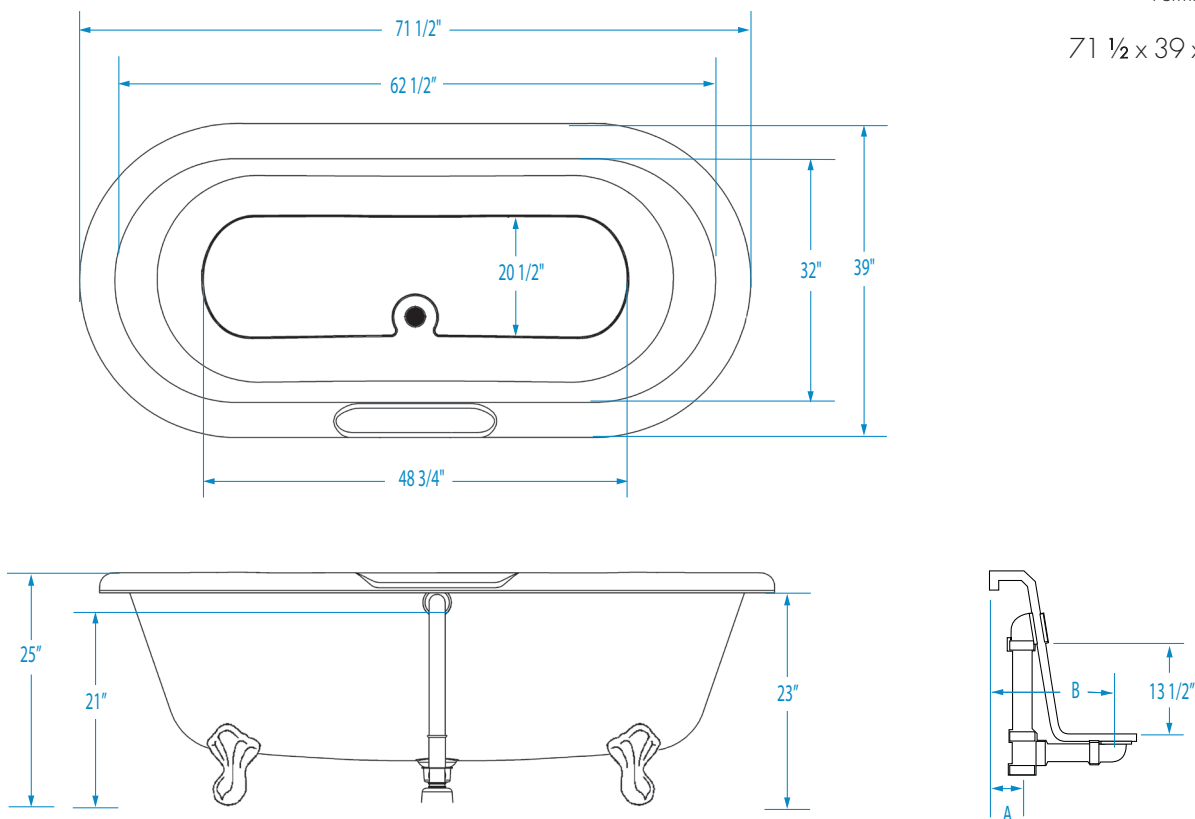
Additional Information:

Manufacturer reserves the right to discontinue models, colors, options and trim finishes without notice.

Fiona 7239CF

Formerly Serenity 46

71 1/2 x 39 x 25 inches



FEATURES Dimensional Tolerance $\pm 3/8"$. Dimensions needed for site preparation should be measured from the unit. Manufacturer assumes no responsibility for preparatory work.

Type and Model #	Material	Drain	Pkg. Wt. lbs
Soaker #WY6717TO	Cast Acrylic	Center Front	194

DIMENSIONS inches

Width Inches	Depth Inches	Height Inches	Skirt Height
71 1/2	39	25	-

SUMP DATA inches

Capacity to Overflow gal	Min. Operating Capacity gal	WIDTH @ centerline		DEPTH @ centerline	
		Top	Bottom	Top	Bottom
79	-	62 1/2	48 3/4	32	20 1/2

PLUMBING DIMENSIONS inches

A	B	Drain Diameter / Clearance
2	11 3/4	

NOTES:

- 1) Where applicable, utilize cut-out templates packed with unit for deck cutouts.
- 2) 16 x 16 minimum access required at pump/blower location(s).