

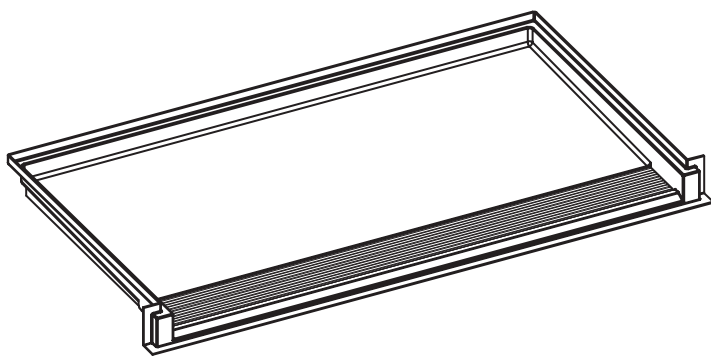
# F6034BTRPAN – ACCESSIBLE SHOWERS BASE

Interior: 60 x 34 x 2 5/8

Exterior: 66 x 36 1/8 x 4 5/8

inches

The F6034BTRPAN roll-in shower base features innovative installation design, including an engineered leveled base and improved front threshold with molded integral linear trench drain. A true time and money saver, our pre-leveled base lets you install directly on a **level** floor. And its front threshold is engineered to keep a constant level with the innovative nailing flange.



## FEATURES

- Pre-leveled base
- AcrylX™ applied acrylic surface
- 1/2" skirt
- 1/2" beveled threshold
- Barrier free when properly installed
- Center front drain outlet
- Integral front trench drain
- Lifetime limited warranty

## CODE COMPLIANCE

- ADA
- FHA
- ICC/ANSI A117.1
- HUD UM73a
- CSA B45.5-11 / IAPMO Z124-2017

\*\*Code compliant when fully equipped and installed according to guidelines.

## AQUATIC ADVANTAGE

- National distribution
- 7 manufacturing facilities
- Private fleet
- Centralized customer service
- Field support

## COLOR & TRIM OPTIONS

Stock	Upgraded
White	Biscuit Bone

\*\*Additional custom colors available.  
(Contact Customer Service)

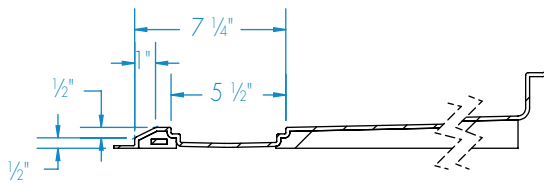
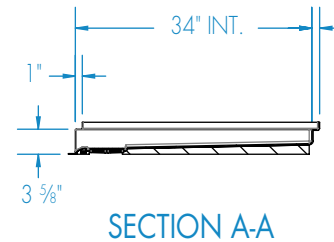
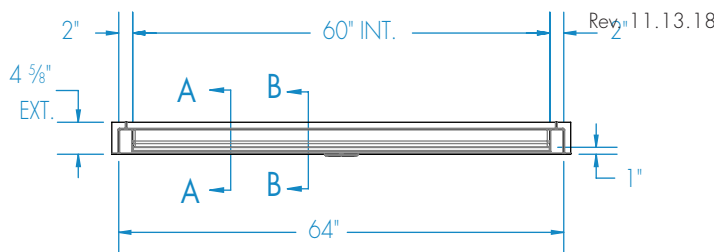
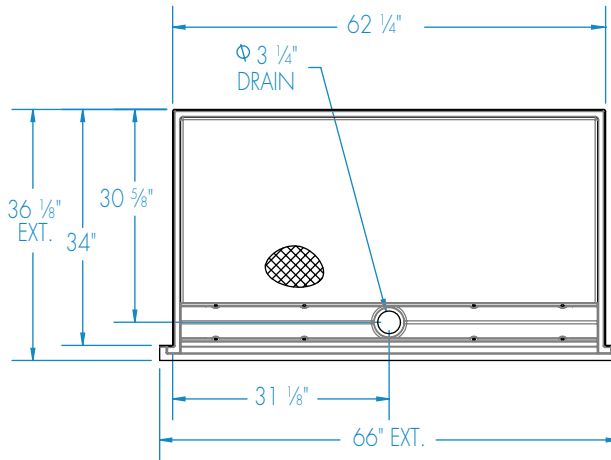


Aquatic products may be specified as Lasco Bathware.



# F6034BTRPAN

Interior: 60 x 34 x 2 5/8  
Exterior: 66 x 36 1/8 x 4 5/8  
inches



**SECTION B-B**  
Integral Pre-leveled Base  
trench grate (included, not shown)

## FEATURES

Dimensional Tolerance  $\pm 3/8"$ . Dimensions needed for site preparation should be measured from the unit. Manufacturer assumes no responsibility for preparatory work.

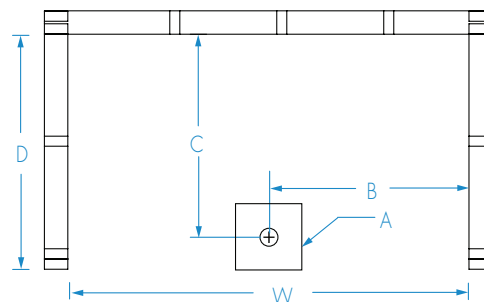
Type and Model #	Material	Wall Finish	Pieces	Drain	Dam/Skirt Height	Net Wt. lbs	Pkg. Wt. lbs
Shower F6034BTRPAN	AcrylX™	Smooth	1	Center Front	1/2" skirt 1/2" beveled threshold	40	50

## DIMENSIONS

Specifications	inches
Width: Ext. / Int.	66 / 60
Depth: Ext. / Int.	36 1/8 / 34
Height: Ext. / Int.	4 5/8 / 2 5/8
Enclosure Opening:	60
Skirt Height:	1/2
Drain Rough-In (from Back Wall)	30 5/8
Drain Rough-In (from Side Wall)	31 1/8

## FRAMING DIMENSIONS inches

Type	D Depth	W Width	H Height	A	B	C
Alcove	34	62 1/4	-	Box Out	31 1/8	30 5/8



**Aquatic products may be specified as Lasco Bathware.**