

Ellis 7232 Formerly Serenity 51

72 x 32 x 22 inches



FEATURES ~

- Deep, ergonomic bathing well
- 1" low-profile deck
- Pre-leveled ABS support base
- Slip resistant floor
- Premium cast acrylic surface
- Limited lifetime warranty

AVAILABLE SYSTEMS

AIR BATH

- Perimeter air injectors
- Variable speed heated-air blower
- Automated purge and dry system
- Electronic control with wave and pulse features
- LED Chromatherapy
- Pre-leveled ABS support base

HOTSOAK

- 2 low-profile circulation portals
- 1.5 kW inline maintenance heater
- Ultra-quiet low flow circulation pump
- Electronic one-touch on/off control
- Heat-bent rigid PVC piping
- Pre-leveled ABS support base

DRIFTBATH

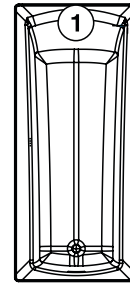
- Up to 70 water portals
- Quiet, energy-efficient .75 hp pump with integrated heat-transfer
- Electronic control
- 4 high-intensity LED Chromatherapy
- Available in White or Biscuit
- Pre-leveled ABS support base



Ellis 7232 FORMERLY SERENITY 51

72 x 32 x 22

BASE MODEL	PKG. WT. LBS.	DRAIN	MODEL #	MSLP
<input type="checkbox"/> Soaker	182	Universal	W51AIR7232TO	\$2,041
<input type="checkbox"/> HotSoak	212	Universal	W51AIR7232HS	\$3,214
<input type="checkbox"/> Air bath	212	Universal	W51AIR7232	\$4,467
<input type="checkbox"/> DriftBath	223	Universal	W51AIR7232DB	\$5,502




SERENITY

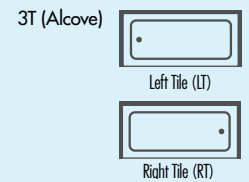
PRODUCT FEATURES

For series features see section page.

ILLUSTRATION KEY

 = Blower or Pump Location

TILE FLANGE CONFIGURATIONS



OPTIONS (x = insert desired option code)	ENTER DESIRED OPTION CODE	MSLP
Cast acrylic stock color (COLxx): White (WH)	_____	No charge
Cast acrylic color upgrade (COLxx): Biscuit (BI)	_____	\$35
Cast acrylic premium color upgrade (COLxx): Black (BK) Sterling Silver (ST) Note: DriftBath models available in White and Biscuit only.	_____	\$389
Metallic finish suction fitting (MSxx): HotSoak premium color models only Chrome (CH) Polished Brass (BR) Brushed Nickel (SN)	_____	No charge
Integral tile flange (IFxx): Left Tile (LT) Right Tile (RT)	_____	\$185
Bolt-on grab bars (2) (BOGBxxx): Chrome (SS2) White (WH2) Biscuit (BI2)	_____	\$209
Bolt-on grab bars (2) (BOGBxxx): Polished Brass (BR2) Brushed Nickel (SN2) Oil Rubbed Bronze (OB2)	_____	\$250
Magnetic pillow (MPxxxxx): White (WHPIL) Black (BKPIL)	_____	\$105
Cable drive waste & overflow: Chrome (CDCHCD)	_____	\$345
Cable drive waste & overflow, color-matched (CDxxxx): Biscuit (BICD) White (WHCD)	_____	\$390
Cable drive waste & overflow (CDxxxx): Oil Rubbed Bronze (OBCD) Polished Brass (BRCD) Brushed Nickel (SNCD)	_____	\$440
Linear waste & overflow (LDxxxx): Chrome (CHLO)	_____	\$345
Linear waste & overflow (LDxxxx): Biscuit (BILO) White (WHLO)	_____	\$390
Linear waste & overflow (LDxxxx): Oil Rubbed Bronze (OBLO) Brushed Nickel (SNLO)	_____	\$440
Remote blower wiring kit for remote blower installation (RBK1) Air bath only. Piping and additional parts may be required.	_____	\$185
Remote control kit (includes remote control, control box and short cable) (RCK1) Air bath only.	_____	\$420
Chromatherapy, installed (CLM1) HotSoak only	_____	\$335
Wood shipping crate (PKCR)	_____	\$460
Rush order program* (DELQK)	_____	\$325
Residential delivery with lift gate* (DELLG)	_____	\$454

*For program terms and conditions, see page iii.

BASE PRICE (insert MSLP of base model selected in upper table)	+ \$	_____
OPTIONS SUB TOTAL	\$	_____
ORDER TOTAL	= \$	_____

Customer Name: _____ Date: _____

Additional Information:

ORDERING KEY

In the part number, "xx" means an option code must be inserted.

Acrylic stock color (COLxx): ← part number

option code → White (WH)

Example: COLxx + WH = COLWH
Acrylic stock color in White

Manufacturer reserves the right to discontinue models, colors, options and trim finishes without notice.

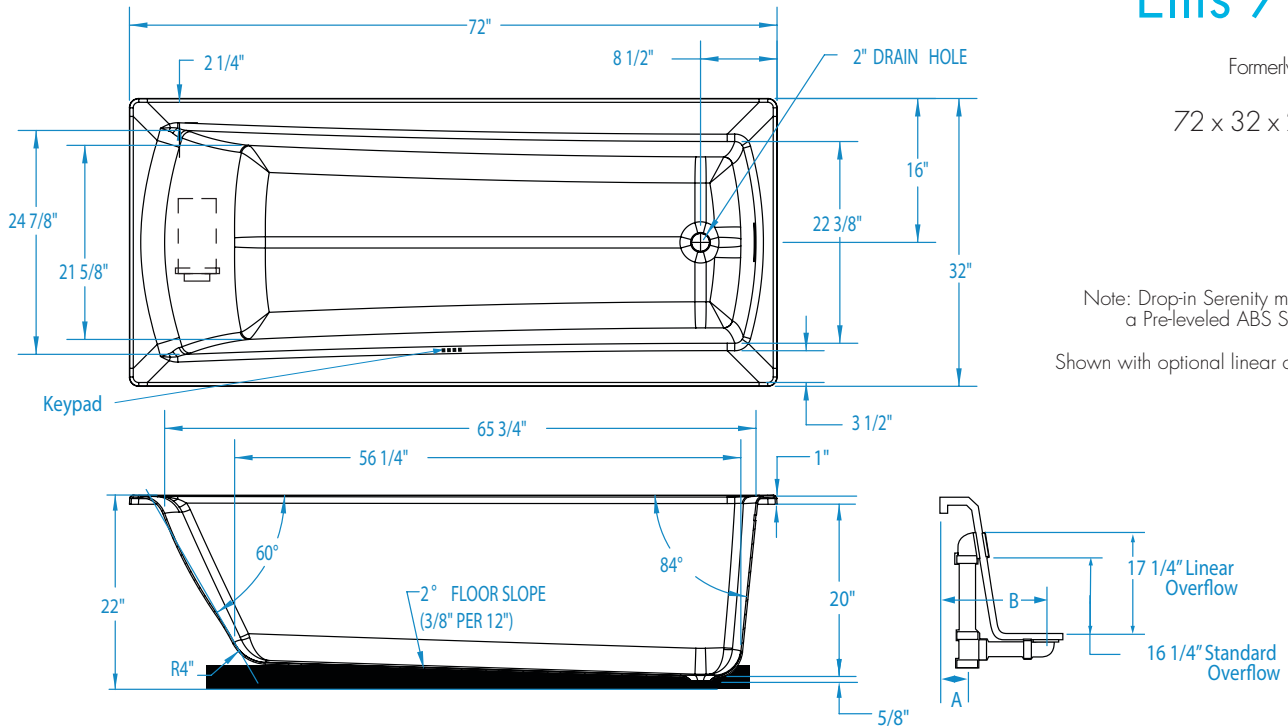
Ellis 7232

Formerly Serenity 51

72 x 32 x 22 inches



Note: Drop-in Serenity models feature a Pre-leveled ABS Support Base.
Shown with optional linear overflow trim.



FEATURES Dimensional Tolerance $\pm 3/8"$. Dimensions needed for site preparation should be measured from the unit. Manufacturer assumes no responsibility for preparatory work.

Type and Model #	Material	System	Powered By	Heater	Controls	Drain	Pkg. Wt. lbs
Soaker #W51AIR7232TO	Cast Acrylic	-	-	-	-	Universal	182
HotSoak #W51AIR7232HS	Cast Acrylic	Water circulation	Pump	1.5 kW Inline maintenance	Electronic	Universal	212
Air Bath #W51AIR7232	Cast Acrylic	Air injection	Variable speed blower	Integrated	Electronic	Universal	212
DriftBath #W51AIR7232DB	Cast Acrylic	Water circulation	Pump	Integrated	Electronic	Universal	223

DIMENSIONS inches

Width Inches	Depth Inches	Height Inches	Skirt Height
72	32	22	-

SUMP DATA inches

Capacity to Overflow gal	Min. Operating Capacity gal	WIDTH @ centerline		DEPTH @ centerline	
		Top	Bottom	Top	Bottom
Standard: 80 Linear: 87	-	65 3/4	56 1/4	24 7/8	21 5/8

PLUMBING DIMENSIONS inches

A	B	Drain Diameter / Clearance
1 3/8	8 1/2	2 / 1 5/8

NOTES:

- 1) Where applicable, utilize cut-out templates packed with unit for deck cutouts.
- 2) 16 x 16 minimum access required at pump/blower location(s).
- 3) If a (3T) tiling flange is selected, then the keypad is located opposite of the flange.

ELECTRICAL DATA

Component	Specification	Requirement
Heated Blower (Air Bath)	10.5 AMP; 120V	15 AMP; 120V, separate circuit; Class A GFCI
Pump/Heater (HotSoak)	1/15 HP; 1.5 kW; 13.5 AMP; 120V	20 AMP; 120V, separate circuit; Class A GFCI
Pump (DriftBath)	3/4 HP; 8.8 AMP; 120V	15 AMP; 120V, separate circuit; Class A GFCI

Each Serenity air bath is equipped with an air heating system to raise the temperature of the air entering the bath. This air temperature will be lower than the bathing temperature of the water, but will help reduce rapid decrease in water temperature. In addition, the air coming from the air jets will feel cool against the skin. This system does not heat the water.