

# EFFIE 6032CF

60 x 32 x 27 inches

BUILDERS' CHOICE  
ACRYLX™ FREESTANDING



## FEATURES ~

- 2-piece freestanding bathtub
- Symmetrical oval design
- Faucet can be deck-mounted or floor-mounted
- Above-the-Floor Rough (AFR)
- Available F<sup>2</sup> Drain option allows quick drain connection and perfect alignment for easy installation
- AcrylX™ applied acrylic surface
- Available in White only
- Lifetime limited warranty



# EFFIE 6032CF

60 x 32 x 27

BASE MODEL	PKG. WT. LBS.	DRAIN	MODEL #	MSLP
<input type="checkbox"/> Soaker	95	Center Front	W4AX6032FT0	\$1,937



OPTIONS (x = insert desired option code)	ENTER DESIRED OPTION CODE	MSLP
PVC F2 Drain kit for freestanding bathtub installation: (F2PV) Also sold separately as an accessory (10034341). **	_____	\$133
ABS F2 Drain kit for freestanding bathtub installation: (F2AB) Also sold separately as an accessory (10032747). **	_____	\$133
Builders' Choice freestanding waste & overflow: Chrome (FDD1CH)	_____	\$55
Builders' Choice freestanding waste & overflow: Brushed Nickel (FDD1BN)	_____	\$82
Cable operated waste & overflow (FDD2xx): Chrome (CH), Brushed Nickel (BN), White (WH)	_____	\$160
Brass flexible waste & overflow for high-rise construction: Chrome (FDD3CH)	_____	\$244
Brass flexible waste & overflow for high-rise construction: Brushed Nickel (FDD3BN)	_____	\$288
Rush order program* (DELQK)	_____	\$325
Residential delivery with lift gate (DELLG)	_____	\$454
**Ordering in advance allows for pre-plumbing on job site.		

<b>BASE PRICE</b> (insert MSLP of base model selected in upper table)	+ \$ _____
<b>OPTIONS SUB TOTAL</b>	\$ _____
<b>ORDER TOTAL</b>	= \$ _____

Customer Name: \_\_\_\_\_ Date: \_\_\_\_\_

Additional Information:



**AQUATIC**  
The bath people

## BUILDERS' CHOICE ACRYLX™ FREESTANDING

### PRODUCT FEATURES

- Symmetrical oval design
- Available in white only

### ORDERING KEY

In the part number, "xx" means an option code must be inserted.

Cable operated waste & overflow (FDD2xx): ← part number

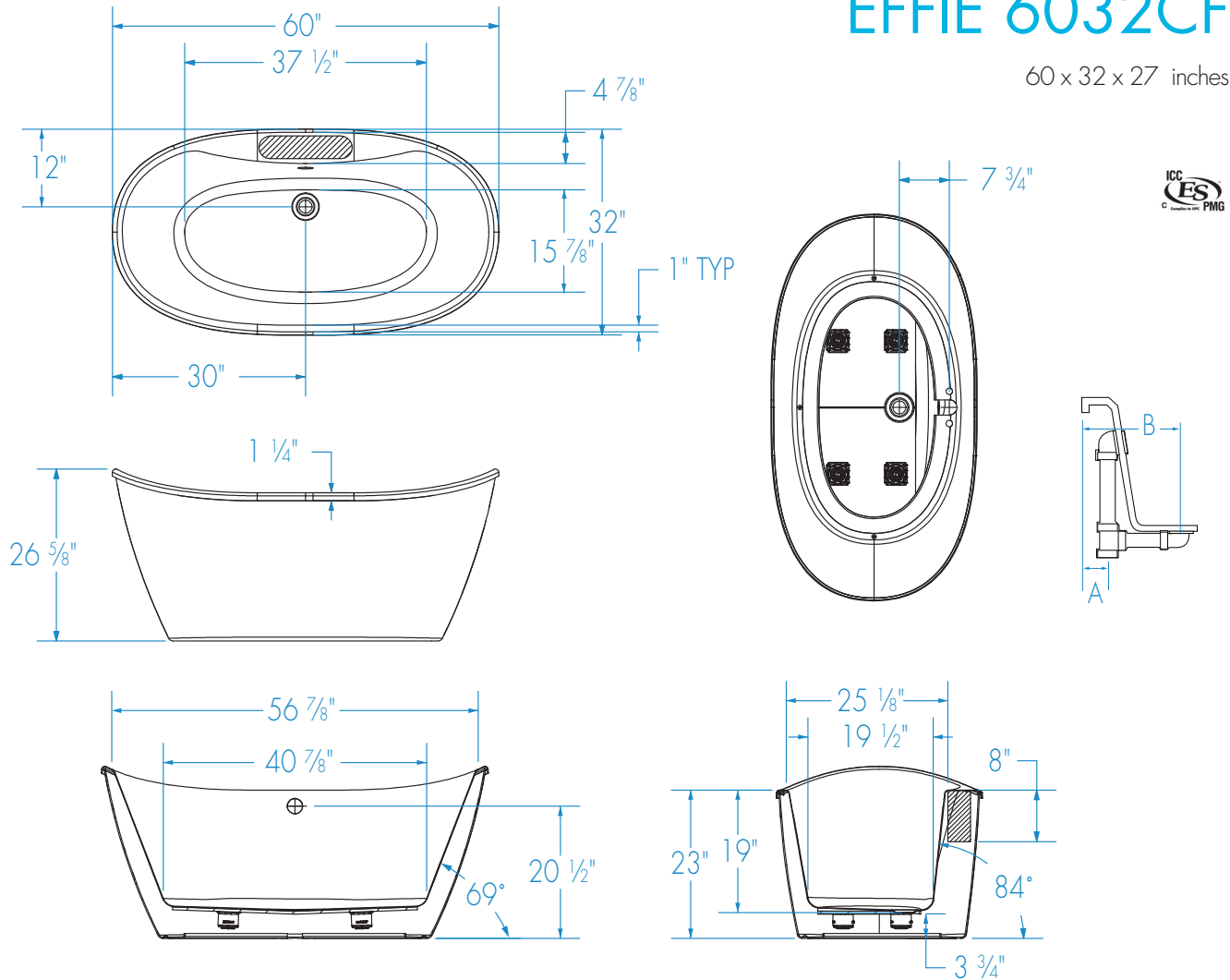
option code → Chrome (CH)


**Example:** FDD2xx + CH = FDD2CH  
Cable operated waste & overflow in chrome

Manufacturer reserves the right to discontinue models, colors, options and trim finishes without notice.

# EFFIE 6032CF

60 x 32 x 27 inches



 : Recommended faucet area of 15" (L) x 3-1/2" (W). Depth recommended for straight pipes 8".  
All dimensions are approximate. Structure measurements must be verified against the unit to ensure proper fit.

**FEATURES** Dimensional Tolerance ± 3/8". Dimensions needed for site preparation should be measured from the unit. Manufacturer assumes no responsibility for preparatory work.

Type and Model #	Material	Drain	Pkg. Wt. lbs
Soaker #W4AX6032FTO	AcrylX™	Center Front	95

**DIMENSIONS** inches

Width Inches	Depth Inches	Height Inches	Skirt Height
60	32	26 5/8"	-

**SUMP DATA** inches

Capacity to Overflow gal	Min. Operating Capacity gal	WIDTH @ centerline		DEPTH @ centerline	
		Top	Bottom	Top	Bottom
48	-	56 7/8"	40 7/8"	25 1/8"	19 1/2"

**PLUMBING DIMENSIONS** inches

A	B	Drain Diameter / Clearance
4 3/8"	12 1/8"	2 / 3 3/4"