

Delilah 7240CF Formerly Serenity 10

71 3/4 x 39 5/8 x 29 1/4 inches



Note: This model requires a remote blower location. Please refer to the owners manual for detailed installation instructions.

FEATURES ~

- Deep, ergonomic bathing well
- Freestanding design
- 2-person bathing
- Claw feet
- Slip resistant floor
- Premium cast acrylic surface*
- Ships in wood crate
- Limited lifetime warranty

COLOR & TRIM OPTIONS

Stock	Premium
Biscuit White	Black Sterling Silver



Two Person Bath

* Interior bathing well and exterior shell can be different colors

AVAILABLE SYSTEMS

AIR BATH

- Perimeter air injectors
- Variable speed heated-air blower
- Automated purge and dry system
- Electronic control with wave and pulse features
- Remote blower kit with 25-ft cabling and remote control



Delilah 7240CF FORMERLY SERENITY 10

71 3/4 x 39 5/8 x 29 1/4

BASE MODEL	PKG. WT. LBS.	DRAIN	MODEL #	MSLP
<input type="checkbox"/> Soaker	487	Center Front	W10AIR7240TO	\$6,717
<input type="checkbox"/> Air bath	517	Center Front	W10AIR7240	\$7,224



SERENITY

PRODUCT FEATURES

- Two person bath
- Interior bathing well and exterior can be different colors
- Remote blower kit with 25 ft. cabling and remote control (air bath only)
- Wood shipping crate
- Claw feet (Chrome standard)

For series features see section page.

OPTIONS (x = insert desired option code)	ENTER DESIRED OPTION CODE	MSLP
Cast acrylic stock color, interior bathing well (ICOLxx): White (WH)	_____	No charge
Cast acrylic color upgrade, interior bathing well (ICOLxx): Biscuit (BI)	_____	\$35
Cast acrylic premium color upgrade, interior bathing well (ICOLUxx): Black (BK) Sterling Silver (ST)	_____	\$389
Cast acrylic stock color, exterior shell (ECOLxx): White (WH)	_____	No charge
Cast acrylic color upgrade, exterior shell (ECOLxx): Biscuit (BI)	_____	\$35
Cast acrylic premium color upgrade, exterior shell (ECOLUxx): Black (BK) Sterling Silver (ST)	_____	\$389
Freestanding waste & overflow (FDxxxx): Chrome (CHCD)	_____	\$330
Freestanding waste & overflow (FDxxxx): White (WHCD)	_____	\$450
Freestanding waste & overflow (FDxxxx): Oil Rubbed Bronze (OBCD) Polished Brass (BRCD) Brushed Nickel (SNCD)	_____	\$515
Claw feet (FTXX): Chrome (CH) Oil Rubbed Bronze (OB) Polished Brass (PB) Brushed Nickel (BN) White (WH)	_____	No charge
Rush order program* (DELQK)	_____	\$325
Residential delivery with lift gate* (DELLG)	_____	\$454

*For program terms and conditions, see page iii.

BASE PRICE (insert MSLP of base model selected in upper table)	+ \$ _____
OPTIONS SUB TOTAL	\$ _____
ORDER TOTAL	= \$ _____

ORDERING KEY

In the part number, "xx" means an option code must be inserted.

Acrylic stock color (COLxx) ← **part number**

option code → White (WH)

Example: COLxx + WH = COLWH
Acrylic stock color in White

Customer Name: _____ Date: _____

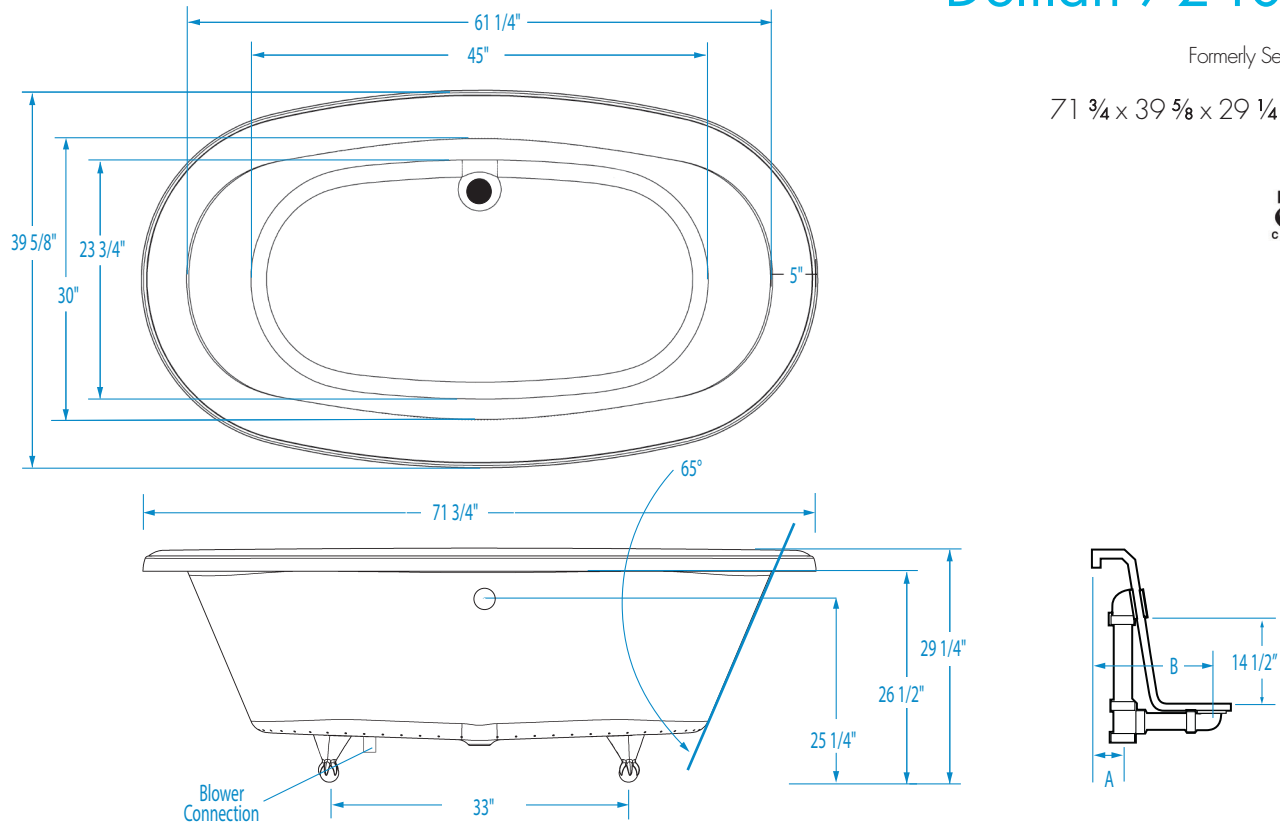
Additional Information:

Manufacturer reserves the right to discontinue models, colors, options and trim finishes without notice.

Delilah 7240CF

Formerly Serenity 10

71 3/4 x 39 5/8 x 29 1/4 inches



FEATURES Dimensional Tolerance $\pm 3/8"$. Dimensions needed for site preparation should be measured from the unit. Manufacturer assumes no responsibility for preparatory work.

Type and Model #	Material	System	Powered By	Heater	Controls	Drain	Pkg. Wt. lbs
Soaker #W10AIR7240TO	Cast Acrylic	-	-	-	-	Center Front	487
Air Bath #W10AIR7240	Cast Acrylic	Air injection	Variable speed blower	Inline	Electronic	Center Front	517

DIMENSIONS inches

Width Inches	Depth Inches	Height Inches	Skirt Height
71 3/4	39 5/8	29 1/4	-

SUMP DATA inches

Capacity to Overflow gal	Min. Operating Capacity gal	WIDTH @ centerline		DEPTH @ centerline	
		Top	Bottom	Top	Bottom
78	-	61 1/4	45	30	23 3/4

PLUMBING DIMENSIONS inches

A	B	Drain Diameter / Clearance
3 1/4	12 1/8	2 / 5 1/4

ELECTRICAL DATA

Component	Specification	Requirement
Heated Blower (Air Bath)	10.5 AMP; 120V	15 AMP; 120V, separate circuit; Class A GFCI

NOTES:

- Where applicable, utilize cut-out templates packed with unit for deck cutouts.
- 16 x 16 minimum access required at pump/blower location(s).

Each Serenity air bath is equipped with an air heating system to raise the temperature of the air entering the bath. This air temperature will be lower than the bathing temperature of the water, but will help reduce rapid decrease in water temperature. In addition, the air coming from the air jets will feel cool against the skin. This system does not heat the water.