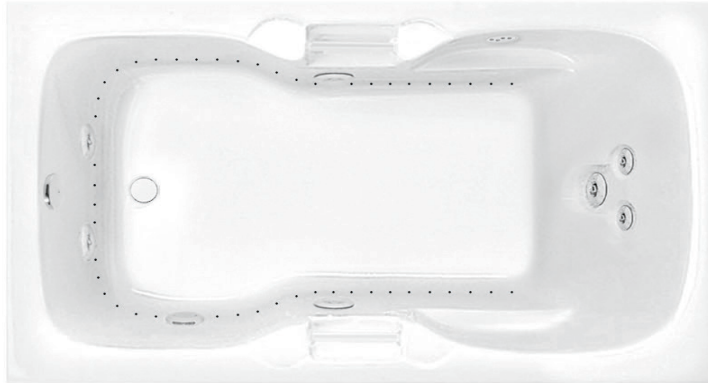


71 ½ x 36 ¼ x 23 ¼

WHIRLPOOL MODEL #W7236R

AIR-WHIRLPOOL MODEL #W28LUX7236



### FEATURES ~

- Deep, ergonomic bathing well
- Sculpted armrests
- Integral clear acrylic grab bars (2)
- Pre-leveled ABS support base
- Slip resistant floor
- Premium cast acrylic surface
- Limited lifetime warranty

### AVAILABLE SYSTEMS

#### WHIRLPOOL

- Electronic control
- 7 hydrotherapy jets
  - 3-jet back, shoulder and neck massage system (dual port, spinning)
  - Leg and foot jets
- Whirlpool pump

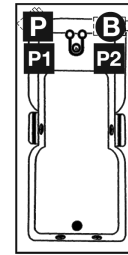
#### AIR-WHIRLPOOL COMBINATION

- Whirlpool system, plus:
- Perimeter air system
- Variable speed heated-air blower with purge and dry cycle
- Electronic wave and pulse modes
- 1.5kW inline maintenance heater

# DAYTONA

71 1/2 x 36 1/4 x 23 1/4

| BASE MODEL                             | PKG. WT. LBS. | JETS | DRAIN    | MODEL #    | MSLP    |
|--|---------------|------|----------|------------|---------|
| <input type="checkbox"/> Whirlpool     | 209           | 7    | Univers. | W7236R     | \$4,276 |
| <input type="checkbox"/> Air-Whirlpool | 258           | 7    | Univers. | W28LUX7236 | \$6,049 |



| OPTIONS (x = insert desired option code)  | ENTER DESIRED OPTION CODE | MSLP      |
|---|---------------------------|-----------|
| Cast acrylic stock color (COLxx): White (WH)  | _____                     | No charge |
| Cast acrylic color upgrade (COLxx): Biscuit (BI)  | _____                     | \$35      |
| Cast acrylic premium color upgrade (COLUxx): Black (BK) Sterling Silver (ST)                                | _____                     | \$389     |
| Pump location (PLxx): Standard Location (L1) Location 2 (L2) (whirlpool only)                               | _____                     | No charge |
| Color matched skirt (SKP72)   | _____                     | \$895     |
| Factory installed rigid ABS tile flange (AFxx): Left Tile (LT) Right Tile (RT)                              | _____                     | \$185     |
| Metallic trim finish: Chrome (MTCH)   | _____                     | \$315     |
| Metallic trim finish (MTxx): Polished Brass (BR) Brushed Nickel (SN)  | _____                     | \$390     |
| Magnetic pillow (MPxxxxx): White (WHPIL) Black (BKPIL)  | _____                     | \$105     |
| Cable drive waste & overflow: Chrome (CDCHCD)   | _____                     | \$345     |
| Cable drive waste & overflow, color-matched (CDxxxx): Biscuit (BICD) White (WHCD)                           | _____                     | \$390     |
| Cable drive waste & overflow (CDxxxx): Oil Rubbed Bronze (OBCD) Polished Brass (BRCD) Brushed Nickel (SNCD) | _____                     | \$440     |
| Chromatherapy, installed (CLM1)   | _____                     | \$335     |
| Inline heater - 1.5kW, factory installed: (whirlpool only) (HTH1)   | _____                     | \$400     |
| Wood shipping crate (PKCR)  | _____                     | \$460     |
| Rush order program* (DELQK)   | _____                     | \$325     |
| Residential delivery with lift gate* (DELLG)  | _____                     | \$454     |

\*For program terms and conditions, see page iii.

|   |            |
|---|------------|
| <b>BASE PRICE</b> (insert MSLP of base model selected in upper table) | + \$ _____ |
| <b>OPTIONS SUB TOTAL</b>  | \$ _____   |
| <b>ORDER TOTAL</b>  | = \$ _____ |

Customer Name: \_\_\_\_\_ Date: \_\_\_\_\_  
 Additional Information: \_\_\_\_\_

Rev. 10.08.18



**AQUATIC**  
The bath people

## ESTATE

### PRODUCT FEATURES

• Acrylic grab bars

### ILLUSTRATION KEY

#### AIR-WHIRLPOOL MODELS

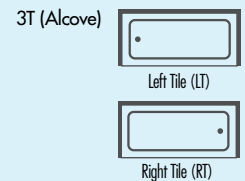
**P** = Pump Location

**B** = Blower Location

#### WHIRLPOOL ONLY MODELS

**■** = Pump Location

#### TILE FLANGE CONFIGURATIONS



### ORDERING KEY

In the part number, "xx" means an option code must be inserted.

Cast Acrylic stock color (COLxx): ← part number

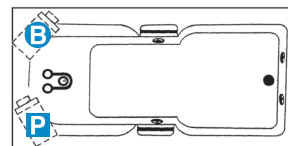
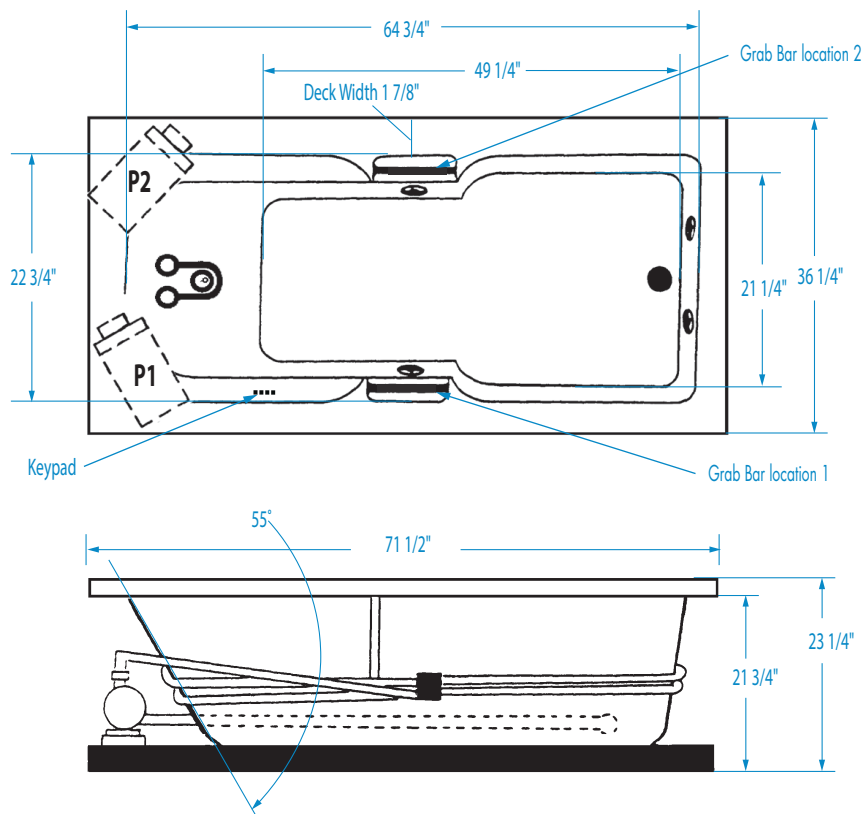
option code → White (WH)

**Example:** COLxx + WH = COLWH  
Cast Acrylic stock color in White

Manufacturer reserves the right to discontinue models, colors, options and trim finishes without notice.

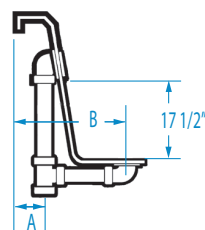
# DAYTONA

71 1/2 x 36 1/4 x 23 1/4 inches



Note: For Air-whirlpool, no alternate pump/blower location available.

Note: Grab bar option comes with two grab bars.



**FEATURES** lbs (kg) Dimensional Tolerance ± 3/8". Dimensions needed for site preparation should be measured from the unit. Aquatic assumes no responsibility for preparatory work.

| Type and Model #          | Material     | Jets | Pump    | Air System | Blower         | Heater                   | Controls   | Drain     | Pkg. Wt. |
|---------------------------|--------------|------|---------|------------|----------------|--------------------------|------------|-----------|----------|
| Whirlpool #W7236R         | Cast Acrylic | 7    | 102 GPM | -          | -              | 1.5 kw Inline (optional) | Electronic | Universal | 209      |
| Air-Whirlpool #W28LUX7236 | Cast Acrylic | 7    | 102 GPM | Channel    | Variable speed | 1.5 kw Inline            | Electronic | Universal | 258      |

## DIMENSIONS inches

| Width<br>Overall / Net | Depth<br>Overall / Net | Height<br>Overall / Net | Skirt<br>Height |
|------------------------|------------------------|-------------------------|-----------------|
| 71 1/2                 | 36 1/4                 | 23 1/4                  | -               |

## SUMP DATA inches

| Capacity to<br>Overflow<br>gal (ltr) | Min. Operating<br>Capacity<br>gal (ltr) | WIDTH @ centerline |        | DEPTH @ centerline |        |
|--------------------------------------|---|--------------------|--------|--------------------|--------|
|                                      |   | Top                | Bottom | Top                | Bottom |
| 90                                   | 71                                      | 64 3/4             | 49 1/4 | 22 3/4             | 21 1/4 |

## PLUMBING DIMENSIONS inches

| A     | B      | Drain<br>Diameter / Clearance |
|-------|--------|-------------------------------|
| 2 1/4 | 11 1/4 |                               |

## ELECTRICAL DATA

| Component     | Specification         | Requirement                                  |
|---------------|-----------------------|--|
| Pump          | 9 AMP; 120V           | 15 AMP; 120V, separate circuit; Class A GFCI |
| Inline Heater | 1.5 kW; 12 AMP; 120V  | 15 AMP; 120V, separate circuit; Class A GFCI |
| Blower        | 1.0 HP; 9.5 AMP; 120V | 15 AMP; 120V, separate circuit; Class A GFCI |

**NOTES:**

1) Where applicable, utilize cut-out templates packed with unit for deck cutouts.

2) 16 x 16 minimum access required at pump/blower location(s).

3) If a (3T) tiling flange is selected, then the keypad is located opposite of the flange.

**NOTE:**

1) This whirlpool must be hard wired to the breaker box. Three outlets will be supplied on the air-whirlpool.