

CYRUS 6042CF

60 x 42 x 23 inches

BUILDERS' CHOICE
ACRYLX™ FREESTANDING



FEATURES ~

- 2-piece freestanding bathtub
- Transitional oval design
- 2 person bathing
- Faucet can be deck-mounted or floor-mounted
- Above-the-Floor Rough (AFR)
- Available F² Drain option allows quick drain connection and perfect alignment for easy installation
- AcrylX™ applied acrylic surface
- Available in White only
- Lifetime limited warranty



CYRUS 6042CF

60 x 42 x 23

| BASE MODEL | PKG. WT. LBS. | DRAIN | MODEL # | MSLP |
|---------------------------------|------------------|--------------|-------------|---------|
| <input type="checkbox"/> Soaker | 101 | Center Front | W3AX6042FT0 | \$2,072 |



| OPTIONS (x = insert desired option code) | ENTER DESIRED OPTION CODE | MSLP |
|---|------------------------------|-------|
| PVC F2 Drain kit for freestanding bathtub installation: (F2PV) Also sold separately as an accessory (10034341). ** | _____ | \$108 |
| ABS F2 Drain kit for freestanding bathtub installation: (F2AB) Also sold separately as an accessory (10032747). ** | _____ | \$108 |
| Builders' Choice freestanding waste & overflow: Chrome (FDD1CH) | _____ | \$55 |
| Builders' Choice freestanding waste & overflow: Brushed Nickel (FDD1BN) | _____ | \$82 |
| Cable operated waste & overflow (FDD2xx): Chrome (CH), Brushed Nickel (BN), White (WH) | _____ | \$160 |
| Brass flexible waste & overflow for high-rise construction: Chrome (FDD3CH) | _____ | \$244 |
| Brass flexible waste & overflow for high-rise construction: Brushed Nickel (FDD3BN) | _____ | \$288 |
| Builders' Choice linear waste & overflow (Chrome, Brushed Nickel and Dark Bronze trim included): (OFL) | _____ | \$249 |
| Rush order program* (DELQK) | _____ | \$325 |
| Residential delivery with lift gate (DELLG) | _____ | \$454 |

**Ordering in advance allows for pre-plumbing on job site.

| | | |
|---|------|-------|
| BASE PRICE (insert MSLP of base model selected in upper table) | + \$ | _____ |
| OPTIONS SUB TOTAL | \$ | _____ |
| ORDER TOTAL | = \$ | _____ |

Customer Name: _____ Date: _____

Additional Information:



AQUATIC
The bath people

BUILDERS' CHOICE ACRYLX™ FREESTANDING

PRODUCT FEATURES

- Two-person bath
- Transitional oval design
- Available in white only

ORDERING KEY

In the part number, "xx" means an option code must be inserted.

Cable operated waste & overflow (FDD2xx): ← part number

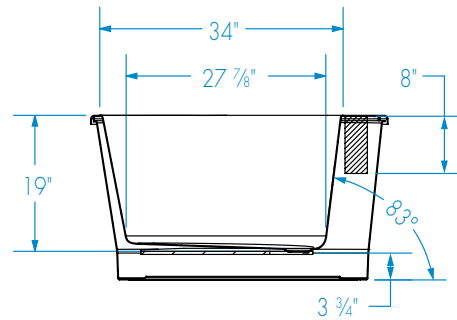
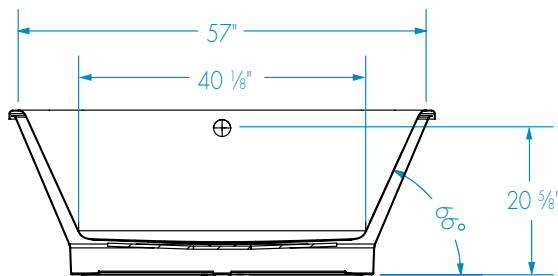
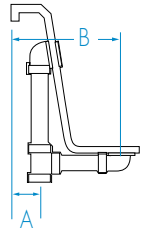
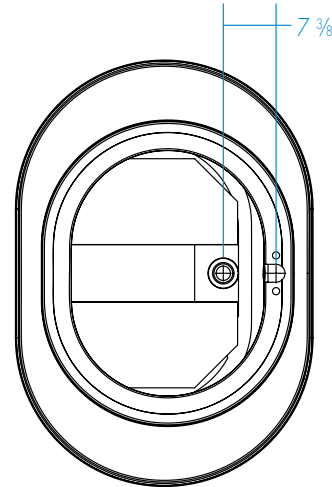
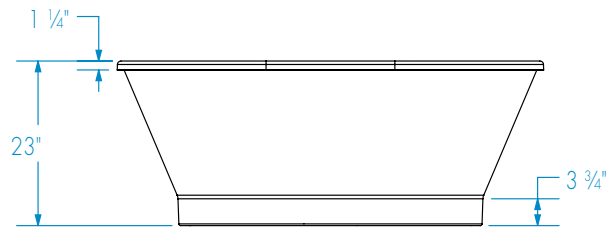
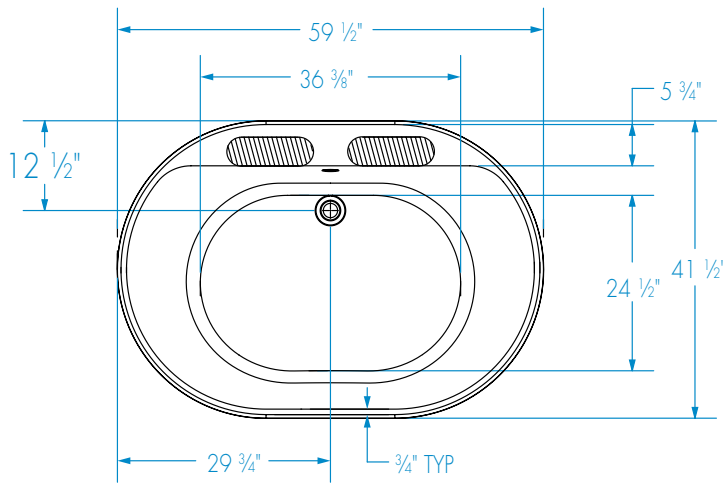
option code → Chrome (CH)


Example: FDD2xx + CH = FDD2CH
Cable operated waste & overflow in chrome

Manufacturer reserves the right to discontinue models, colors, options and trim finishes without notice.

CYRUS 6042CF

60 x 42 x 23 inches



 : Recommended faucet area 2 sections of 12" (L) x 4" (W). Depth recommended for straight pipes 8".
All dimensions are approximate. Structure measurements must be verified against the unit to ensure proper fit.

FEATURES Dimensional Tolerance $\pm 3/8"$. Dimensions needed for site preparation should be measured from the unit. Manufacturer assumes no responsibility for preparatory work.

| Type and Model # | Material | Drain | Pkg. Wt. lbs |
|---------------------|----------|--------------|--------------|
| Soaker #W3AX6042FTO | AcrylX™ | Center Front | 101 |

DIMENSIONS inches

| Width Inches | Depth Inches | Height Inches | Skirt Height |
|--------------|--------------|---------------|--------------|
| 60 | 42 | 23 | - |

SUMP DATA inches

| Capacity to Overflow gal | Min. Operating Capacity gal | WIDTH @ centerline | | DEPTH @ centerline | |
|--------------------------|-----------------------------|--------------------|--------|--------------------|--------|
| | | Top | Bottom | Top | Bottom |
| 66 | - | 57 | 40 1/8 | 34 | 27 7/8 |

PLUMBING DIMENSIONS inches

| A | B | Drain Diameter / Clearance |
|-------|--------|----------------------------|
| 5 1/8 | 12 1/2 | 2 / 3 3/4 |