

Bayport 6636 Formerly Serenity 5

65 3/4 x 35 3/8 x 24 1/4 inches



FEATURES ~

- Deep, ergonomic bathing well
- Raised seating
- Sculpted armrests
- Integral clear acrylic grab bars (2)
- Pre-leveled ABS support base
- Slip resistant floor
- Premium cast acrylic surface
- Limited lifetime warranty

AVAILABLE SYSTEMS

AIR BATH

- Perimeter air injectors
- Variable speed heated-air blower
- Automated purge and dry system
- Electronic control with wave and pulse features
- LED Chromatherapy
- Pre-leveled ABS support base

HOTSOAK

- 2 low-profile circulation portals
- 1.5 kW inline maintenance heater
- Ultra-quiet low flow circulation pump
- Electronic one-touch on/off control
- Heat-bent rigid PVC piping
- Pre-leveled ABS support base

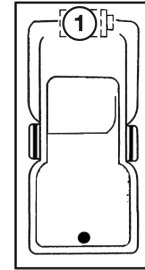
DRIFTBATH

- Up to 70 water portals
- Quiet, energy-efficient .75 hp pump with integrated heat-transfer
- Electronic control
- 4 high-intensity LED Chromatherapy
- Available in White or Biscuit
- Pre-leveled ABS support base

Bayport 6636 FORMERLY SERENITY 5

65 3/4 x 35 3/8 x 24 1/4

| BASE MODEL | PKG. WT. LBS. | DRAIN | MODEL # | MSLP |
|------------------------------------|---------------|----------|-------------|---------|
| <input type="checkbox"/> Soaker | 181 | Univers. | W5AIR6636TO | \$1,805 |
| <input type="checkbox"/> HotSoak | 221 | Univers. | W5AIR6636HS | \$3,287 |
| <input type="checkbox"/> Air bath | 221 | Univers. | W5AIR6636 | \$3,987 |
| <input type="checkbox"/> DriftBath | 233 | Univers. | W5AIR6636DB | \$5,564 |




SERENITY

PRODUCT FEATURES

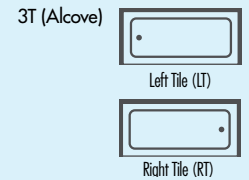
- Acrylic grab bars
- Raised seat

For series features see section page.

ILLUSTRATION KEY

 = Blower or Pump Location

TILE FLANGE CONFIGURATIONS



| OPTIONS (x = insert desired option code) | ENTER DESIRED OPTION CODE | MSLP |
|---|---------------------------|-----------|
| Cast acrylic stock color (COLxx): White (WH) | _____ | No charge |
| Cast acrylic color upgrade (COLxx): Biscuit (BI) | _____ | \$35 |
| Cast acrylic premium color upgrade (COLUxx): Black (BK) Sterling Silver (ST) Note: DriftBath models available in White and Biscuit only. | _____ | \$389 |
| Metallic finish suction fitting (MSxx): HotSoak premium color models only Chrome (CH) Polished Brass (BR) Brushed Nickel (SN) | _____ | No charge |
| Color matched skirt (SKP66) | _____ | \$895 |
| Factory installed rigid ABS tile flange (AFxx): Left Tile (LT) Right Tile (RT) | _____ | \$185 |
| 1" Low profile deck (LPD1) Note: skirt option not available with low profile deck | _____ | \$180 |
| Magnetic pillow (MPxxxxx): White (WHPL) Black (BKPIL) | _____ | \$105 |
| Cable drive waste & overflow: Chrome (CDCHCD) | _____ | \$345 |
| Cable drive waste & overflow, color-matched (CDxxxx): Biscuit (BICD) White (WHCD) | _____ | \$390 |
| Cable drive waste & overflow (CDxxxx): Oil Rubbed Bronze (OBCD) Polished Brass (BRCD) Brushed Nickel (SNCD) | _____ | \$440 |
| Remote blower wiring kit for remote blower installation (RBK1) Air bath only. Piping and additional parts may be required. | _____ | \$185 |
| Remote control kit (includes remote control, control box and short cable) (RCK1) Air bath only. | _____ | \$420 |
| Chromatherapy, installed (CLM1) HotSoak only | _____ | \$335 |
| Wood shipping crate (PKCR) | _____ | \$460 |
| Rush order program* (DELQK) | _____ | \$325 |
| Residential delivery with lift gate* (DELLG) | _____ | \$454 |

*For program terms and conditions, see page iii.

| | | |
|---|------|-------|
| BASE PRICE (insert MSLP of base model selected in upper table) | + \$ | _____ |
| OPTIONS SUB TOTAL | \$ | _____ |
| ORDER TOTAL | = \$ | _____ |

Customer Name: _____ Date: _____

Additional Information:

ORDERING KEY

In the part number, "xx" means an option code must be inserted.

Acrylic stock color (COLxx): ← part number

option code → White (WH)

Example: COLxx + WH = COLWH
Acrylic stock color in White

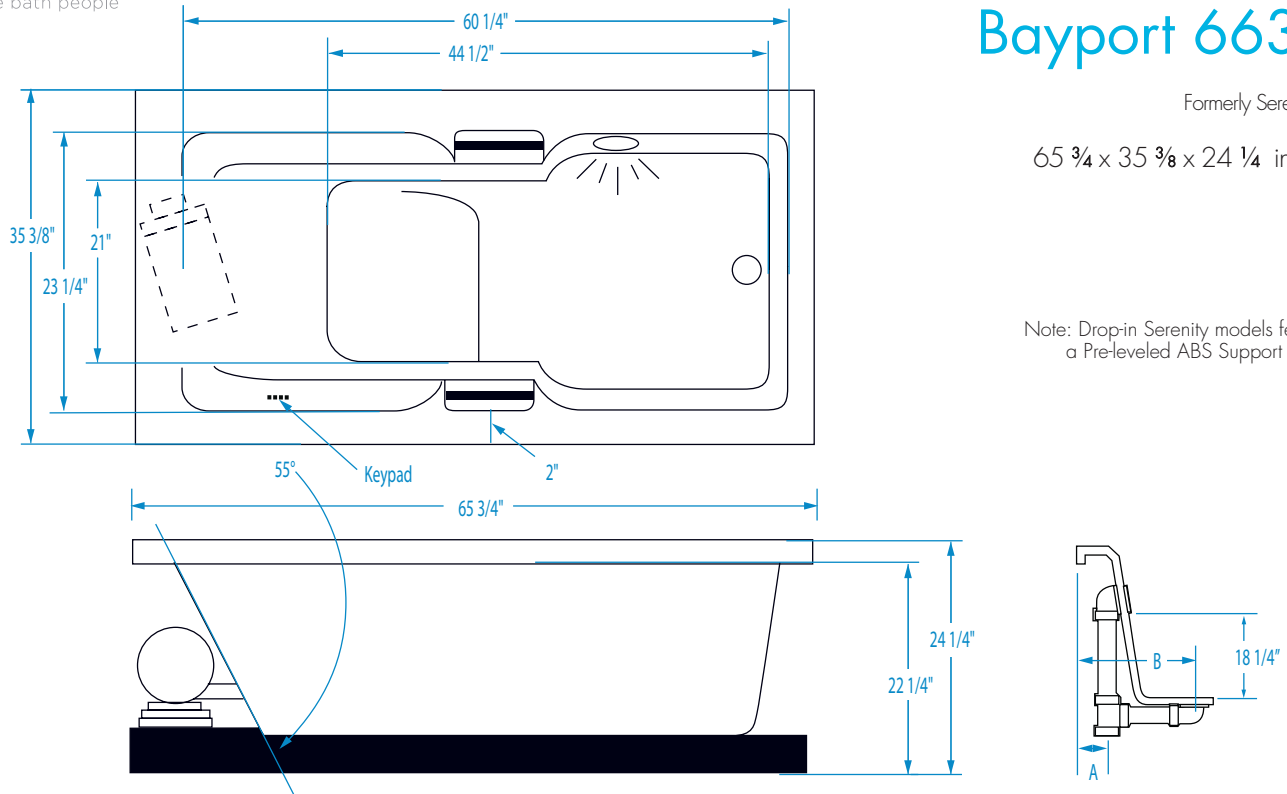
Manufacturer reserves the right to discontinue models, colors, options and trim finishes without notice.

Bayport 6636

Formerly Serenity 5

65 3/4 x 35 3/8 x 24 1/4 inches

Note: Drop-in Serenity models feature a Pre-leveled ABS Support Base.



FEATURES Dimensional Tolerance $\pm 3/8"$. Dimensions needed for site preparation should be measured from the unit. Manufacturer assumes no responsibility for preparatory work.

| Type and Model # | Material | System | Powered By | Heater | Controls | Drain | Pkg. Wt. lbs |
|-------------------------|--------------|-------------------|-----------------------|---------------------------|------------|-----------|--------------|
| Soaker #WV5AIR6636TO | Cast Acrylic | - | - | - | - | Universal | 181 |
| HotSoak #WV5AIR6636HS | Cast Acrylic | Water circulation | Pump | 1.5 kW Inline maintenance | Electronic | Universal | 221 |
| Air Bath #WV5AIR6636 | Cast Acrylic | Air injection | Variable speed blower | Integrated | Electronic | Universal | 221 |
| DriftBath #WV5AIR6636DB | Cast Acrylic | Water circulation | Pump | Integrated | Electronic | Universal | 232 |

DIMENSIONS inches

| Width Inches | Depth Inches | Height Inches | Skirt Height |
|--------------|--------------|-----------------|--------------|
| 65 3/4 | 35 3/8 | 24 1/4 / 22 1/4 | - |

SUMP DATA inches

| Capacity to Overflow gal | Min. Operating Capacity gal | WIDTH @ centerline | | DEPTH @ centerline | |
|--------------------------|-----------------------------|--------------------|--------|--------------------|--------|
| | | Top | Bottom | Top | Bottom |
| 85 | - | 60 1/4 | 44 1/2 | 23 1/4 | 21 |

PLUMBING DIMENSIONS inches

| A | B | Drain Diameter / Clearance |
|-------|----|----------------------------|
| 2 1/2 | 10 | 2 / 1 5/8 |

ELECTRICAL DATA

| Component | Specification | Requirement |
|--------------------------|------------------------|--|
| Heated Blower (Air Bath) | 10.5 AMP; 120V | 15 AMP; 120V, separate circuit; Class A GFCI |
| Pump (HotSoak) | 1/15 HP; 1.3 AMP; 120V | 20 AMP; 120V, separate circuit; Class A GFCI |
| Heater (HotSoak) | 1.5 kW; 12 AMP; 120V | |
| Pump (DriftBath) | 3/4 HP; 8.8 AMP; 120V | 15 AMP; 120V, separate circuit; Class A GFCI |

NOTES:

- 1) Where applicable, utilize cut-out templates packed with unit for deck cutouts.
- 2) 16 x 16 minimum access required at pump/blower location(s).
- 3) For Low Profile Deck, framing height will need to be increased by an additional 1".
- 4) If a (3T) tiling flange is selected, then the keypad is located opposite of the flange.

Each Serenity air bath is equipped with an air heating system to raise the temperature of the air entering the bath. This air temperature will be lower than the bathing temperature of the water, but will help reduce rapid decrease in water temperature. In addition, the air coming from the air jets will feel cool against the skin. This system does not heat the water.

Rev. 10.11.18