

ARYA 6636CF

BUILDERS' CHOICE

66 x 36 x 23 inches



FEATURES ~

- Ergonomic bathing well
- 2-piece freestanding design
- Cast acrylic surface
- Limited 10-year warranty



ARYA 6636CF

66 x 36 x 23

BASE MODEL	PKG. WT. LBS.	DRAIN	MODEL #	MSLP
<input type="checkbox"/> Soaker	155	Center Front	W586636FT0	\$2,315



OPTIONS (x = insert desired option code)	ENTER DESIRED OPTION CODE	MSLP
Rush order program* (DELQK)	_____	\$325
Residential delivery with lift gate* (DELLG)	_____	\$454

*For program terms and conditions, see pg. iii.

BASE PRICE (insert MSLP of base model selected in upper table) + \$ _____

OPTIONS SUB TOTAL \$ _____

ORDER TOTAL = \$ _____



BUILDERS' CHOICE

PRODUCT FEATURES

- 2-piece freestanding design
- 2- person bathing
- Integral linear overflow
- Drain kit (chrome standard, included)
- White only

For series features see section page.

ORDERING KEY

In the part number, "xx" means an option code must be inserted.

Acrylic stock color (COLxx): ← part number

option codes → Biscuit (BI)
White (WH)

Example: COLxx + WH = COLWH
Cast Acrylic stock color in White

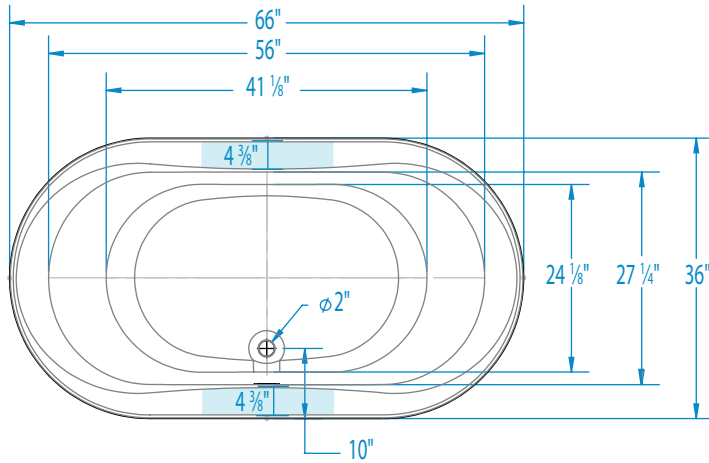
Customer Name: _____ Date: _____

Additional Information:

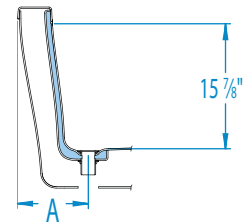
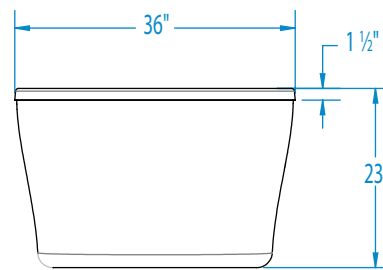
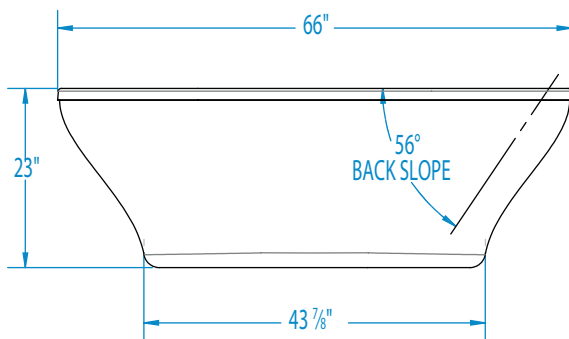
Manufacturer reserves the right to discontinue models, colors, options and trim finishes without notice.

ARYA 6636CF

66 x 36 x 23 inches



Tub-mounted Faucetry
- Suggested locations



FEATURES Dimensional Tolerance $\pm 3/8"$. Dimensions needed for site preparation should be measured from the unit. Manufacturer assumes no responsibility for preparatory work.

Type and Model #W	Material	Drain	Pkg. Wt. lbs
Soaker #W586636FTO	Acrylic	Center Front	155

DIMENSIONS inches

Width	Depth	Height	Skirt Height
66	36	23	-

SUMP DATA inches

Capacity to Overflow gal	Min. Operating Capacity gal	WIDTH @ centerline		DEPTH @ centerline	
		Top	Bottom	Top	Bottom
70	-	56	41 1/8	27 1/4	24 1/8

PLUMBING DIMENSIONS inches

A	Drain Diameter / Clearance
10	2 / 3