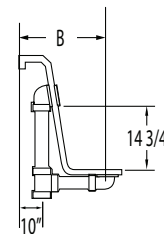
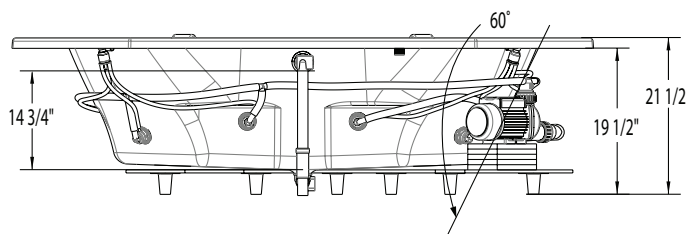
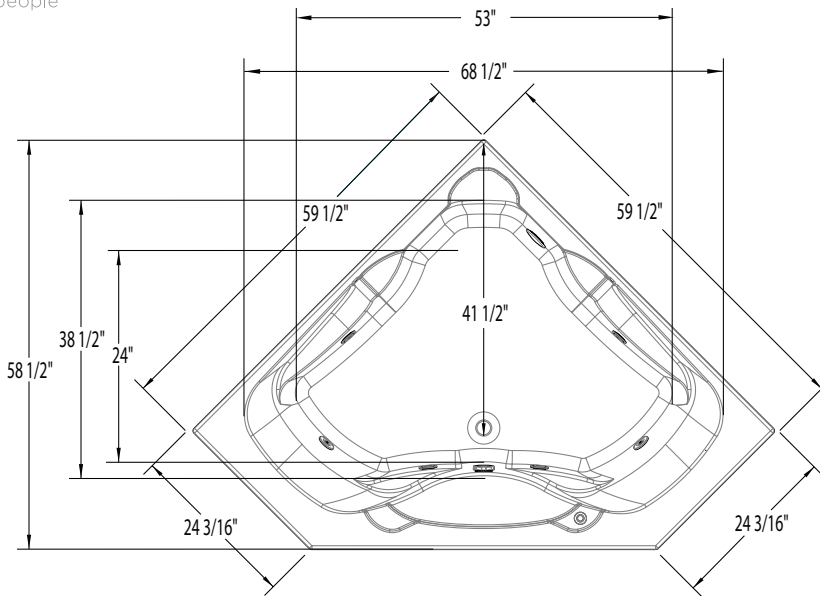


9560620V (Soaker)
9560621V (Whirlpool)

59 1/2 x 59 1/2 x 21 1/2 inches



FEATURES

Dimensional Tolerance $\pm 3/8"$. Dimensions needed for site preparation should be measured from the unit. Aquatic assumes no responsibility for preparatory work.

Type and Model #	Material	Jets	Pump	Heater	Controls	Drain	Pkg. Wt. (lbs)
Soaker #9560620V	Cast Acrylic	0	-	-	-	Center Front	116
Whirlpool #9560621V	Cast Acrylic	6	63 GPM	1.5kW inline (optional)	Pneumatic	Center Front	166

DIMENSIONS inches

Width Overall / Net	Depth Overall / Net	Height Overall / Net	Skirt Height
59 1/2	59 1/2	21 1/2 / 19 1/2	-

SUMP DATA inches

Capacity to Overflow gal (ltr)	Min. Operating Capacity gal (ltr)	WIDTH @ centerline		DEPTH @ centerline	
		Top	Bottom	Top	Bottom
85	73	68 1/2	53	38 1/2	24

PLUMBING DIMENSIONS inches

A	B	Drain to Overflow	Drain Diameter / Clearance
10 1/2	8 3/4	14 3/4	2 / 1 3/8

ELECTRICAL DATA

Component	Specification	Requirement
Pump	5 AMP; 120 V	15 AMP; 120V, separate circuit; Class A GFCI
Optional Heater (whirlpool model)	1.5KW; 12 AMP; 120 V	15 AMP; 120V, separate circuit; Class A GFCI

NOTES:

1) Where applicable, utilize cut-out templates packed with unit for deck cutouts.

2) 16 x 16 minimum access required at pump/blower location(s).