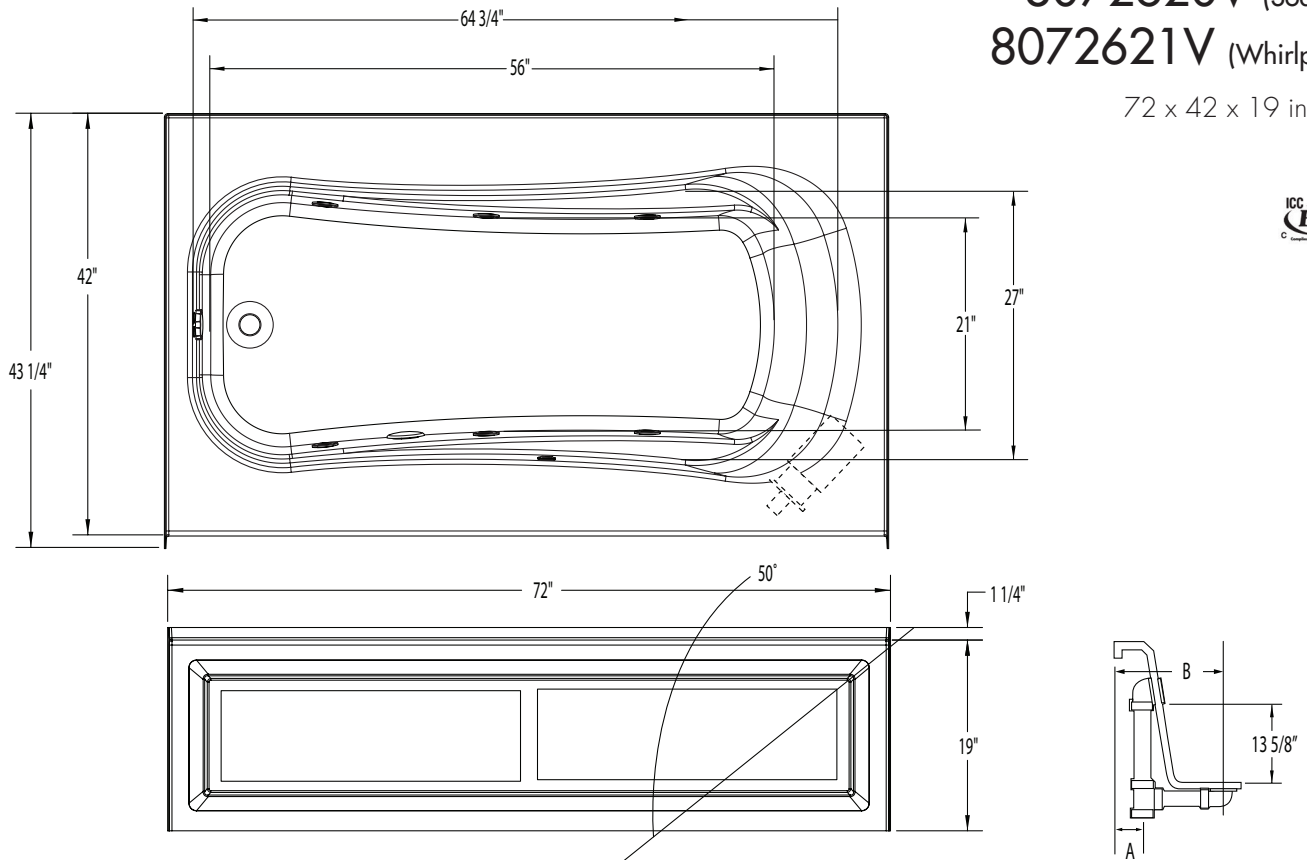


8072620V (Soaker)
8072621V (Whirlpool)

72 x 42 x 19 inches



FEATURES

Dimensional Tolerance ± 3/8". Dimensions needed for site preparation should be measured from the unit. Aquatic assumes no responsibility for preparatory work.

Type and Model #	Material	Jets	Pump	Heater	Controls	Drain	Pkg. Wt. (lbs)
Soaker #8072620V	Cast Acrylic	0	–	–	–	LH or RH	136
Whirlpool #8072621V	Cast Acrylic	6	63 GPM	1.5kW inline (optional)	Pneumatic	LH or RH	177

DIMENSIONS inches

Width Overall / Net	Depth Overall / Net	Height Overall / Net	Skirt Height
72	43 1/4 / 42	20 1/4 / 19	19

SUMP DATA inches

Capacity to Overflow gal (ltr)	Min. Operating Capacity gal (ltr)	WIDTH @ centerline		DEPTH @ centerline	
		Top	Bottom	Top	Bottom
74	60	64 3/4	56	27	21

PLUMBING DIMENSIONS inches

A	B	Drain to Overflow	Drain Diameter / Clearance
2 1/4	8 5/8	13 5/8	2 / 1 1/4

ELECTRICAL DATA

Component	Specification	Requirement
Pump	5 AMP; 120 V	15 AMP; 120V, separate circuit; Class A GFCI
Optional Heater (whirlpool model)	1.5KW; 12 AMP; 120 V	15 AMP; 120V, separate circuit; Class A GFCI

NOTES:

1) Where applicable, utilize cut-out templates packed with unit for deck cutouts.

2) 16 x 16 minimum access required at pump/blower location(s).