

6042SMINM – EVERYDAY BATHS

60 x 42 x 21 inches

SOAKER MODEL #6042SMINM

WHIRLPOOL MODEL #6042SMINMWVP



FEATURES

- Alcove bath
- Integral skirt
- Deep bathing well
- Ergonomic backrest
- Above-floor rough
- Slip-resistant textured bottom
- Left or right hand drain
- AcrylX™ applied acrylic surface
- Lifetime limited warranty

Whirlpool Features:

- 6 directional hydrotherapy jets
- Available in White and Biscuit/Linen only
- Color matched trim
- Pneumatic on/off control
- Advanced safety suction system
- Removable access panels

AQUATIC ADVANTAGE

- National distribution
- 7 manufacturing facilities
- Private fleet
- Centralized customer service
- Field support

COLOR OPTIONS

Stock	Upgraded	Premium
White	Almond Biscuit/Linen Bone	Black Mexican Sand Sand Bar Sterling Silver

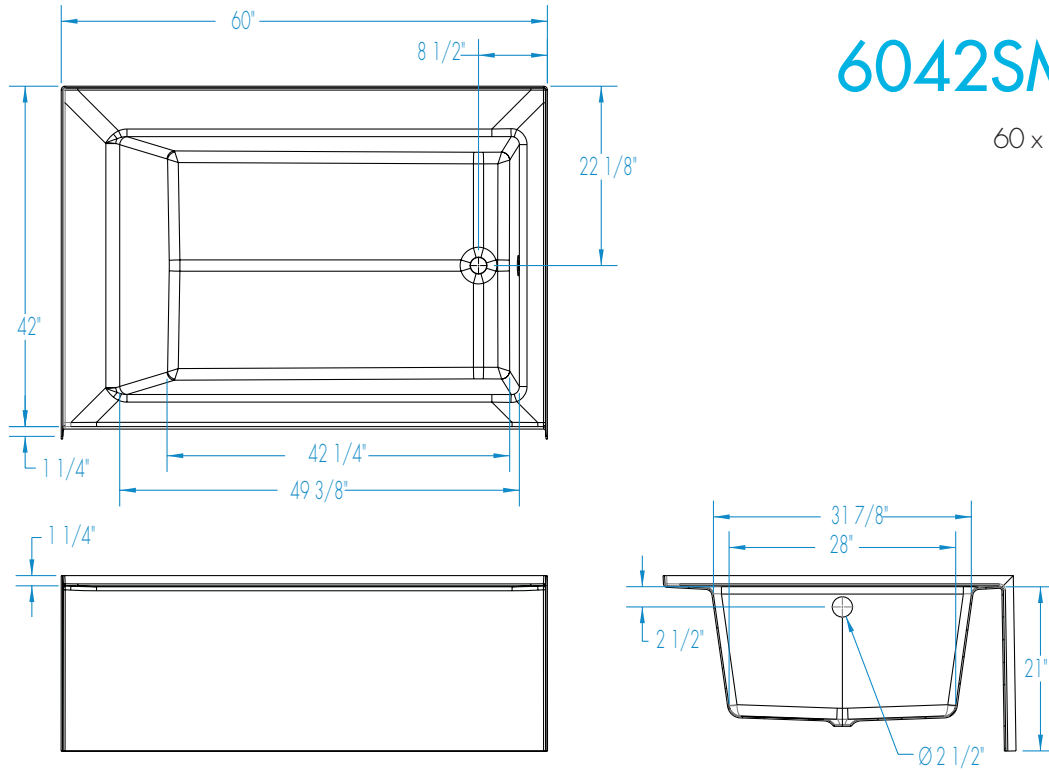
OPTIONS

- Designer drain, waste & overflow



6042SMINM

60 x 42 x 21 inches



FEATURES lbs Dimensional Tolerance $\pm \frac{3}{16}$ ". Dimensions needed for site preparation should be measured from the unit. Aquatic assumes no responsibility for preparatory work.

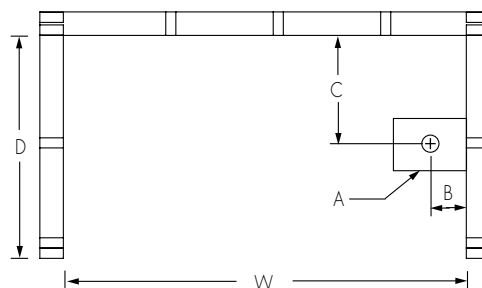
Model #	Material	Jets	Motor	Controls	Drain	Net Wt.	Pkg. Wt.
Soaker #6042SMINM	AcrylX™	0	–	–	LH or RH	64	69
Whirlpool #6042SMINMWP	AcrylX™	6	63 GPM	Pneumatic	LH or RH	104	109

DIMENSIONS

Specifications	inches
Width: Overall / Net	60
Depth: Overall / Net	42 / 42
Height: Overall / Net	22 ¼ / 21
Enclosure Opening	–
Skirt Height	21
Drain Rough-In (from Back Wall)	22 ⅞
Drain Rough-In (from Side Wall)	2 ⅞
Drain: Diameter / Clearance	2 / 3 ¾

FRAMING DIMENSIONS inches

Type	D Depth	W Width	H Height	A	B	C
Alcove	43 ¼	60 ⅞	21 ¼	Box Out	2 ⅞	22 ⅞



SUMP DATA

Top of Drain to Bottom of Overflow	Capacity to Overflow gal	Min. Operating Capacity gal	WIDTH @ centerline		DEPTH @ centerline	
			Top	Bottom	Top	Bottom
12 ⅝	67	45	49 ⅝	42 ¼	31 ⅞	28