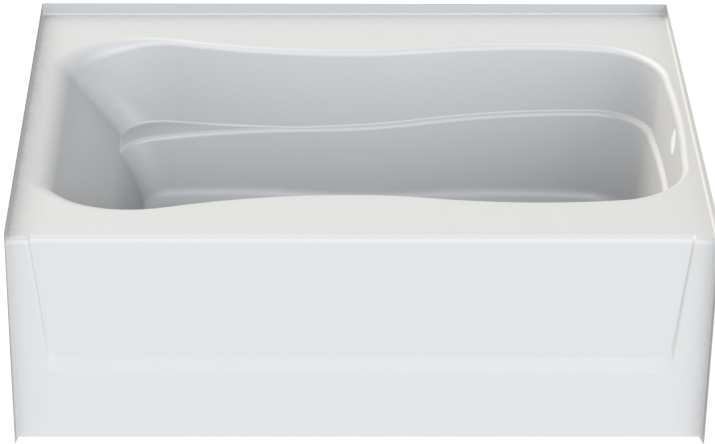


6042HM – EVERYDAY BATHS

60 x 42 x 20 inches

SOAKER MODEL #6042HM

WHIRLPOOL MODEL #6042HMWP



FEATURES

- Alcove bath
- Integral arm rest
- Ergonomic back rest
- Integral tiling flange (3T)
- Integral skirt
- Above-floor rough
- Slip-resistant textured bottom
- Left or right hand drain
- AcrylX™ applied acrylic surface
- Lifetime limited warranty

Whirlpool Features:

- 6 directional hydrotherapy jets
- Available in White and Biscuit/Linen only
- Color matched trim
- 2 air controls
- Pneumatic on/off control
- Advanced safety suction system

AQUATIC ADVANTAGE

- National distribution
- 7 manufacturing facilities
- Private fleet
- Centralized customer service
- Field support

COLOR OPTIONS

Stock	Upgraded	Premium
White	Almond Biscuit/Linen Bone	Black Mexican Sand Sand Bar Sterling Silver

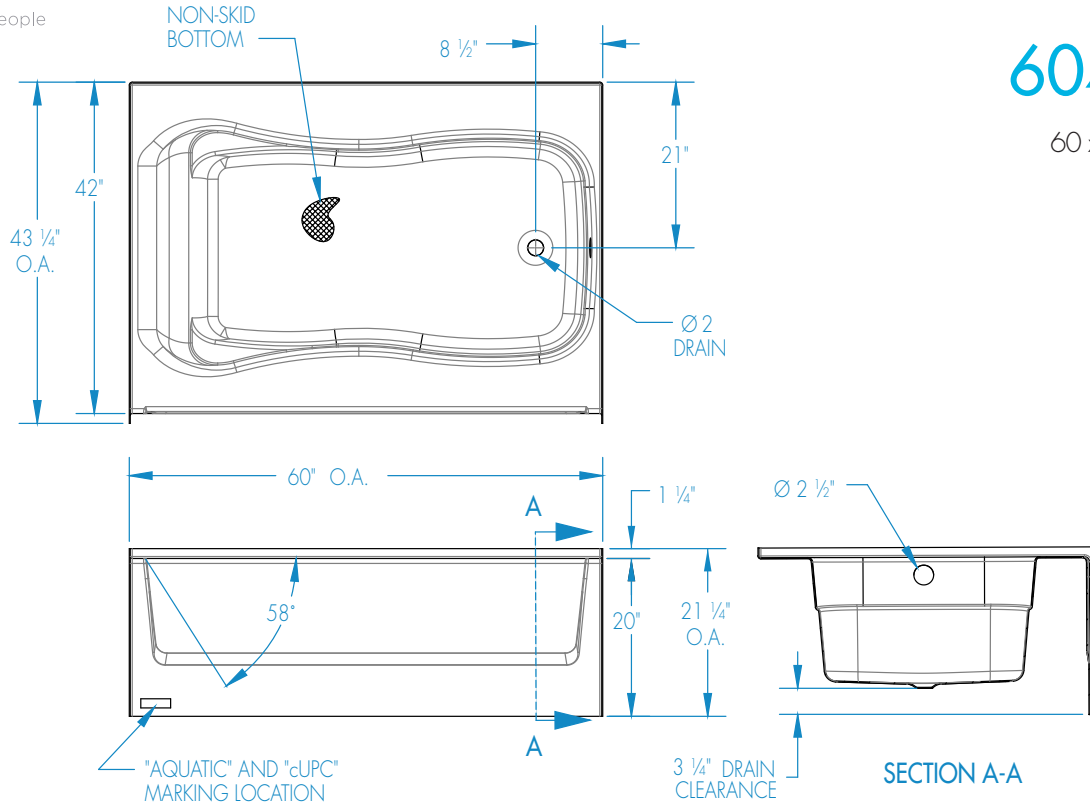
OPTIONS

- Removable access panel (whirlpool models)
- Designer drain, waste & overflow



6042HM

60 x 42 x 20 inches



FEATURES lbs Dimensional Tolerance $\pm 3/8"$. Dimensions needed for site preparation should be measured from the unit. Aquatic assumes no responsibility for preparatory work.

Model #	Material	Jets	Motor	Controls	Drain	Net Wt.	Pkg. Wt.
AFR Soaker #6042HM	AcrylX™	0	-	-	LH or RH	76	81
AFR Whirlpool #6042HMWP	AcrylX™	6	63 GPM	Pneumatic	LH or RH	136	141

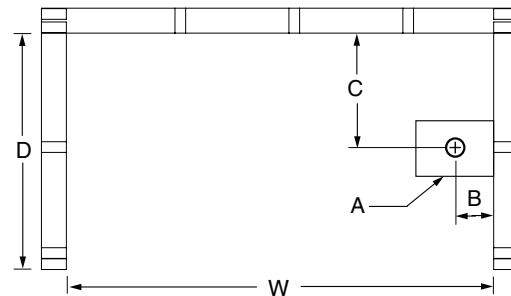
DIMENSIONS

Specifications	inches
Width: Overall / Net	60
Depth: Overall / Net	43 1/4 / 42
Height: Overall / Net	21 1/4 / 20
Enclosure Opening	-
Skirt Height	20
Drain Rough-In (from Back Wall)	21
Drain Rough-In (from Side Wall)	2 1/4
Drain: Diameter / Clearance	2 / 3 1/4

FRAMING DIMENSIONS

 inches

Type	D Depth	W Width	H Height	A	B	C
Alcove	43 1/4	60 1/8	21 1/4	Box Out	2 1/4	21



SUMP DATA

Top of Drain to Bottom of Overflow	Capacity to Overflow gal	Min. Operating Capacity gal	WIDTH @ centerline		DEPTH @ centerline	
			Top	Bottom	Top	Bottom
12 5/8	65	50	54	44	26	23