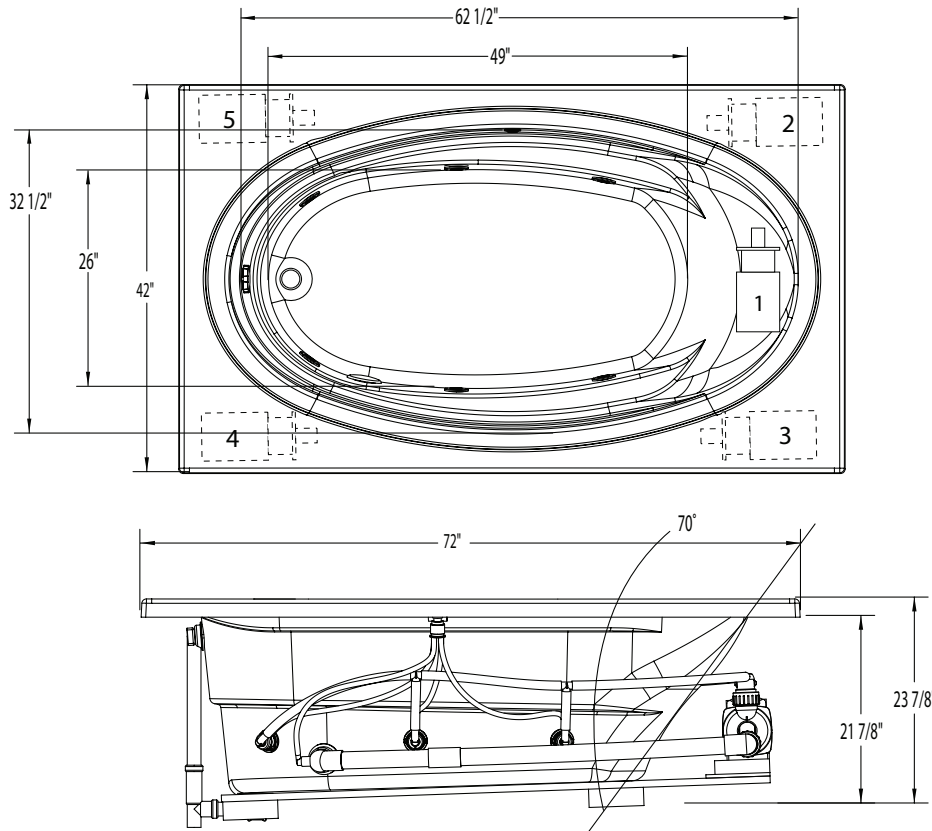


**5772620V** (Soaker)  
**5772621V** (Whirlpool)

72 x 42 x 23 7/8 inches



**FEATURES**

Dimensional Tolerance  $\pm 3/8"$ . Dimensions needed for site preparation should be measured from the unit. Aquatic assumes no responsibility for preparatory work.

Type and Model #	Material	Jets	Pump	Heater	Controls	Drain	Pkg. Wt. (lbs)
Soaker #5772620V	Cast Acrylic	0	–	–	–	Universal	98
Whirlpool #5772621V	Cast Acrylic	6	63 GPM	1.5kW inline (optional)	Pneumatic	Universal	152

**DIMENSIONS** inches

Width Overall / Net	Depth Overall / Net	Height Overall / Net	Skirt Height
72	42	23 7/8 / 21 7/8	–

**SUMP DATA** inches

Capacity to Overflow gal (ltr)	Min. Operating Capacity gal (ltr)	WIDTH @ centerline		DEPTH @ centerline	
		Top	Bottom	Top	Bottom
67	50	62 1/2	49	32 1/2	26

**PLUMBING DIMENSIONS** inches

A	B	Drain to Overflow	Drain Diameter / Clearance
4 3/4	9 1/2	18	2 / 3/4

**ELECTRICAL DATA**

Component	Specification	Requirement
Pump	5 AMP; 120 V	15 AMP; 120V, separate circuit; Class A GFCI
Optional Heater (whirlpool model)	1.5KW; 12 AMP; 120 V	15 AMP; 120V, separate circuit; Class A GFCI

**NOTES:**

1) Where applicable, utilize cut-out templates packed with unit for deck cutouts.

2) 16 x 16 minimum access required at pump/blower location(s).