

2603NWM – EVERYDAY BATHS

60 x 40 3/4 x 18 inches



FEATURES

- Alcove bath
- Integral tiling flange (3T)
- Integral skirt
- Molded toiletry shelves
- Above floor rough
- Slip-resistant textured bottom
- Left or right hand drain
- AcrylX™ applied acrylic surface
- Lifetime limited warranty

OPTIONS

- Designer drain, waste & overflow

AQUATIC ADVANTAGE

- National distribution
- 6 manufacturing facilities
- Private fleet
- Centralized customer service
- Field support

COLOR OPTIONS

| Stock | Upgraded | Premium |
|-------|---------------------------------|--|
| White | Almond Linen/Biscuit Bone | Black Mexican Sand Sand Bar Sterling Silver |

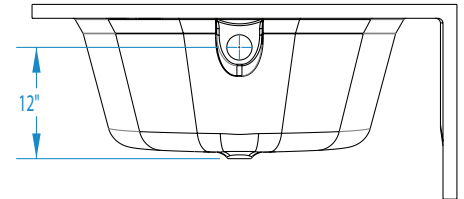
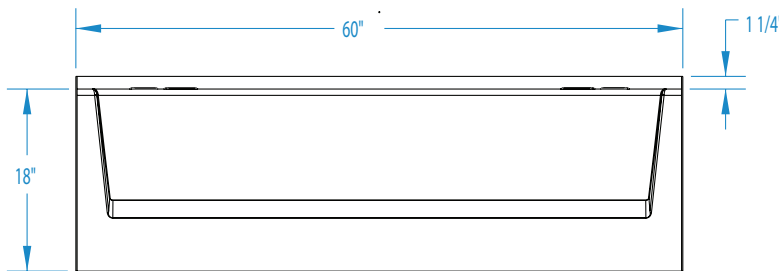
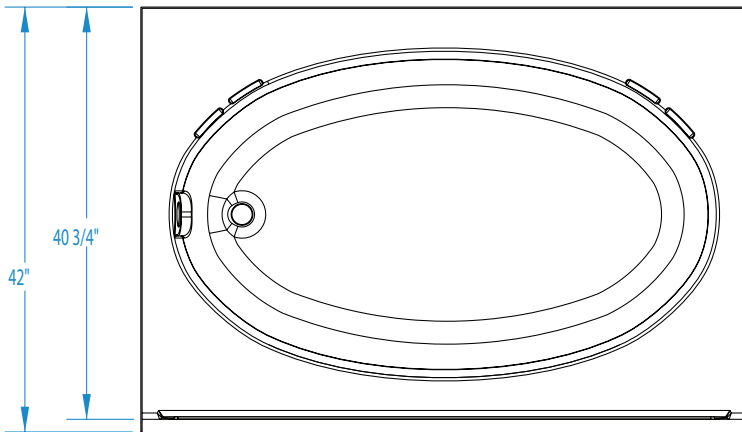


2603NWM

60 x 40 3/4 x 18 inches



AFR: Allows for above the floor installation of waste, overflow and drainage.



FEATURES lbs Dimensional Tolerance $\pm \frac{3}{16}$ ". Dimensions needed for site preparation should be measured from the unit. Aquatic assumes no responsibility for preparatory work.

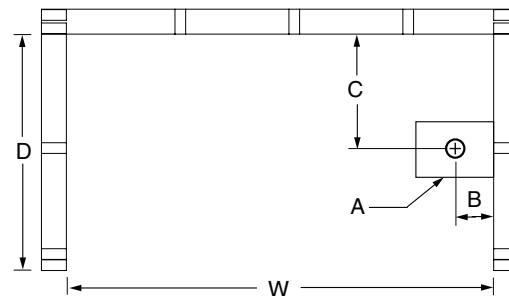
| Model # | Material | Jets | Motor | Controls | Drain | Net Wt. | Pkg. Wt. |
|---------------------|----------|------|-------|----------|----------|---------|----------|
| AFR Soaker #2603NWM | AcrylX™ | - | - | - | LH or RH | 61 | 66 |

DIMENSIONS

| Specifications | inches |
|---------------------------------|-------------|
| Width: Overall / Net | 60 |
| Depth: Overall / Net | 42 / 40 3/4 |
| Height: Overall / Net | 19 1/4 / 18 |
| Enclosure Opening | - |
| Skirt Height | 18 |
| Drain Rough-In (from Back Wall) | 20 1/2 |
| Drain Rough-In (from Side Wall) | 2 |
| Drain: Diameter / Clearance | 2 / 4 1/4 |

FRAMING DIMENSIONS inches

| Type | D Depth | W Width | H Height | A | B | C |
|--------|---------|---------|----------|---------|---|--------|
| Alcove | 42 | 60 1/8 | - | Box Out | 2 | 20 1/2 |



SUMP DATA

| Top of Drain to Bottom of Overflow | Capacity to Overflow gal | Min. Operating Capacity gal | WIDTH @ centerline | | DEPTH @ centerline | |
|------------------------------------|--------------------------|-----------------------------|--------------------|--------|--------------------|--------|
| | | | Top | Bottom | Top | Bottom |
| 8 7/8 | 47 | - | 54 | 46 | 32 1/2 | 24 1/2 |