

2600CCS – EVERYDAY BATHS

60 x 60 x 24 ½ inches

SOAKER MODEL #2600CCS

WHIRLPOOL MODEL #2600CCSWP



FEATURES

- Corner bath
- Integral arm rests
- Ergonomic backrest
- Integral tiling flange (2T)
- Integral skirt
- Slip-resistant textured bottom
- Center drain
- AcrylX™ applied acrylic surface
- Lifetime limited warranty

Whirlpool Features:

- 4 directional hydrotherapy jets
- Available in White and Biscuit/Linen only
- Color matched trim
- Pneumatic on/off control
- Advanced safety suction system

OPTIONS

- Removable access panel (whirlpool models)
- Designer drain, waste & overflow

AQUATIC ADVANTAGE

- National distribution
- 7 manufacturing facilities
- Private fleet
- Centralized customer service
- Field support

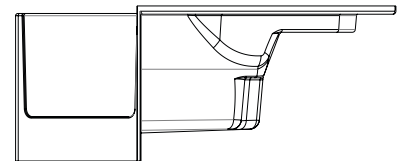
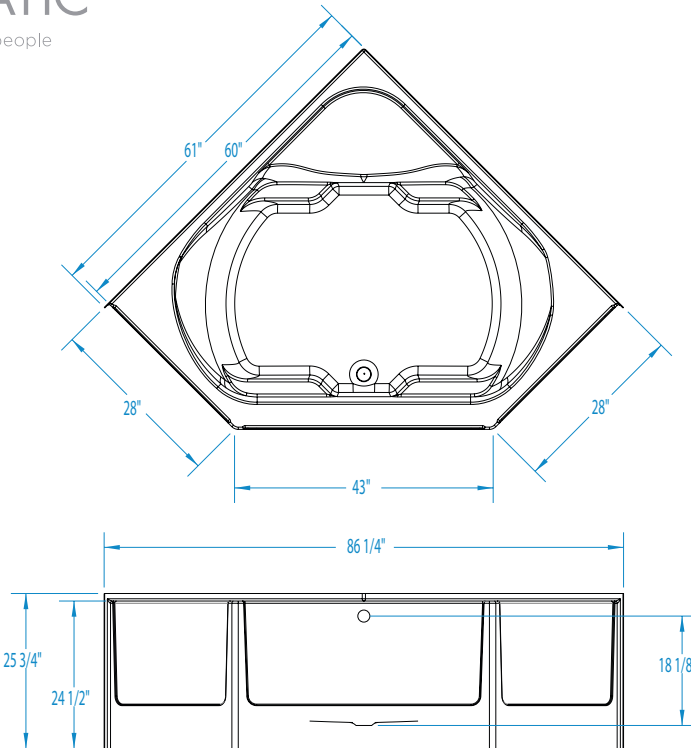
COLOR OPTIONS

Stock	Upgraded	Premium
White	Almond Biscuit/Linen Bone	Black Mexican Sand Sand Bar Sterling Silver



2600CCS

60 x 60 x 24 1/2 inches



FEATURES lbs Dimensional Tolerance $\pm \frac{3}{16}$ ". Dimensions needed for site preparation should be measured from the unit. Aquatic assumes no responsibility for preparatory work.

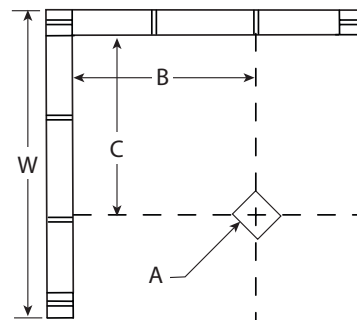
Model #	Material	Jets	Motor	Controls	Drain	Net Wt.	Pkg. Wt.
Soaker #2600CCS	AcrylX™	0	-	-	Center Front	129	134
Whirlpool #2600CCSWP	AcrylX™	4	63 GPM	Pneumatic	Center Front	179	184

DIMENSIONS

Specifications	inches
Width: Overall / Net	61 1/2 / 60
Depth: Overall / Net	28
Height: Overall / Net	25 3/4 / 24 1/2
Enclosure Opening	-
Skirt Height	24 1/2
Drain Rough-In (from Back Wall)	42 5/16
Drain Rough-In (from Side Wall)	42 5/16
Drain: Diameter / Clearance	2 / 3 1/2

FRAMING DIMENSIONS inches

Type	D Depth	W Width	H Height	A	B	C
Alcove	58 1/2	58 1/2	24	Box Out	42 5/16	42 5/16



SUMP DATA

Top of Drain to Bottom of Overflow	Capacity to Overflow gal	Min. Operating Capacity gal	WIDTH @ centerline		DEPTH @ centerline	
			Top	Bottom	Top	Bottom
15 3/4	90	50	63	44 3/4	37	33