

2540CCS – EVERYDAY BATHS

54 3/8 x 54 3/8 x 22 inches

SOAKER MODEL #2540CCS

WHIRLPOOL MODEL #2540CCSWP



FEATURES

- Corner design
- Ergonomic backrest
- Integral tiling flange (2T)
- Integral skirt
- Molded toiletry shelf
- Slip-resistant textured bottom
- Center rear drain
- AcrylX™ applied acrylic surface
- Lifetime limited warranty

Whirlpool Features:

- 4 directional hydrotherapy jets
- Available in White and Biscuit/Linen only
- Color matched trim
- Pneumatic on/off control
- Advanced safety suction system

OPTIONS

- Removable access panel (whirlpool models)
- Designer drain, waste & overflow

AQUATIC ADVANTAGE

- National distribution
- 7 manufacturing facilities
- Private fleet
- Centralized customer service
- Field support

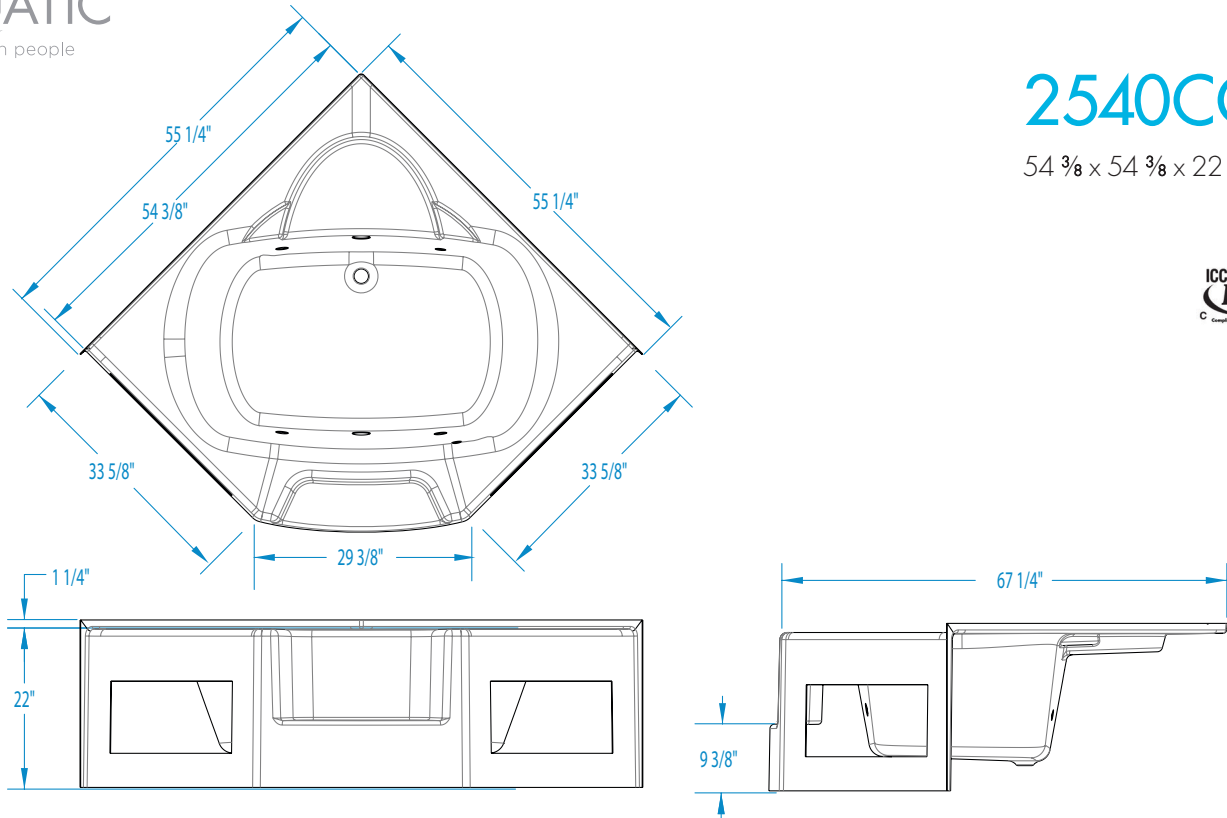
COLOR OPTIONS

Stock	Upgraded	Premium
White	Almond Biscuit/Linen Bone	Black Mexican Sand Sand Bar Sterling Silver



2540CCS

54 3/8" x 54 3/8" x 22 inches



FEATURES lbs Dimensional Tolerance $\pm 3/8"$. Dimensions needed for site preparation should be measured from the unit. Aquatic assumes no responsibility for preparatory work.

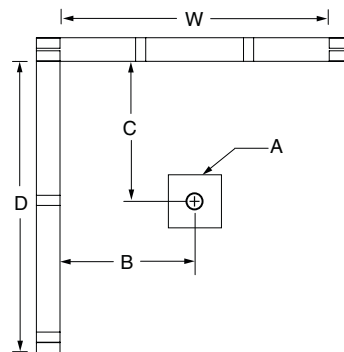
Model #	Material	Jets	Motor	Controls	Drain	Net Wt.	Pkg. Wt.
Soaker #2540CCS	AcrylX™	0	-	-	Center Rear	125	130
Whirlpool #2540CCSWP	AcrylX™	4	63 GPM	Pneumatic	Center Rear	175	180

DIMENSIONS

Specifications	inches
Width: Overall / Net	55 1/4 / 54 3/8
Depth: Overall / Net	33 5/8
Height: Overall / Net	23 1/4 / 22
Enclosure Opening	-
Skirt Height	22
Drain Rough-In (from Back Wall)	20
Drain Rough-In (from Side Wall)	20
Drain: Diameter / Clearance	2 / 3 1/2

FRAMING DIMENSIONS inches

Type	D Depth	W Width	H Height	A	B	C
Alcove	55 3/8	55 3/8	23 1/4	Box Out	20	20



SUMP DATA

Top of Drain to Bottom of Overflow	Capacity to Overflow gal	Min. Operating Capacity gal	WIDTH @ centerline		DEPTH @ centerline	
			Top	Bottom	Top	Bottom
11 3/8	47	36	49	39 1/4	30	25