



# Submittal Sheet

Aquatic products may be specified as Lasco Bathware.

# 1603TSCB

Available East of the Rockies only

CUSTOMER: \_\_\_\_\_

JOB NAME: \_\_\_\_\_

PO #: \_\_\_\_\_

QUOTE #: \_\_\_\_\_ QUANTITY: \_\_\_\_\_

SHIP TO: \_\_\_\_\_

\_\_\_\_\_/\_\_\_\_\_/\_\_\_\_\_  
PLUMBING CONTRACTOR APPROVAL DATE

\_\_\_\_\_/\_\_\_\_\_/\_\_\_\_\_  
GENERAL CONTRACTOR APPROVAL DATE

\_\_\_\_\_/\_\_\_\_\_/\_\_\_\_\_  
ENGINEER APPROVAL DATE

\_\_\_\_\_/\_\_\_\_\_/\_\_\_\_\_  
ARCHITECT APPROVAL DATE

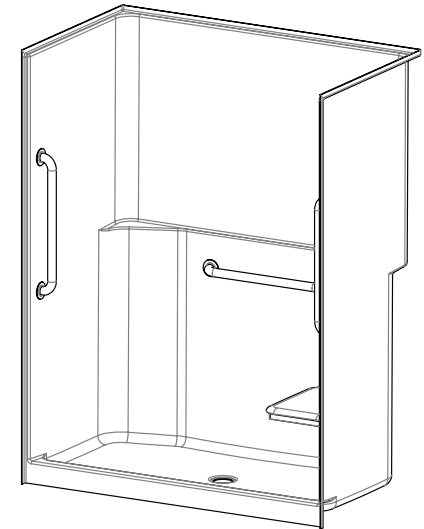
## STANDARD FEATURES

- Built-in soap shelves in each rear corner
- Center/center drain location
- Slip resistant, textured bottom [ASTM F-462]

## RECOMMENDED ACCESSORIES

- Fixture wall  LH  RH  
 Straight 24" grab bars [3]  
 Stainless steel (1 1/2" dia.)  Powder-coated white (1 1/4" dia.)  
 Rectangular white-cushioned seat  LH  RH  
 Hand-held shower assembly with 30" slide bar and 60" hose  
 Pressure balancing mixing valve  
 Curtain rod  
 Shower curtain  
 Colors:  
 Standard  White  
 Upgraded  Almond  Biscuit  Bone  
 Other (contact customer service for custom color options)  
 Brass drain  
 Additional accessories \_\_\_\_\_

For pricing of units and additional options, reference The Aquatic Price Book.



**IMPORTANT:** ADA compliant showers with NO interior threshold will have water escape onto the bathroom floor. Aquatic highly recommends you take the following precautions:

1. Install only the minimum number of ADA units without an interior threshold required for each job. If possible install Aquatic's accessible models that have a 1/2 (15) interior threshold to reduce the amount of water that escapes from the shower.
2. When installing units with NO interior threshold, install a FLOOR DRAIN to control the water that escapes onto the bathroom floor.
3. Depending on your application, you may choose to install Aquatic's vinyl flexible dam or removable threshold, which helps better retain water within the shower. However, these items may not necessarily meet ADA or other code requirements. Always confirm code compliance with your local building authority.

Int. Dim. 58 W x 33 D x 76 1/4 H  
 Ext. Dim. 60 W x 35 D x 78 H  
 Skirt Ht. 4 skirt  
 Packaged Wt. 163 lbs. gross  
 Material AcrylIX™ applied acrylic  
 Warranty AcrylIX™ Finished Products — Lifetime Limited (30 year commercial)

inches

To complete your order, this document must be signed and faxed to the Aquatic Centralized Customer Service Center.  
**Fax (866) 544-5353 • Phone (800) 945-2726**

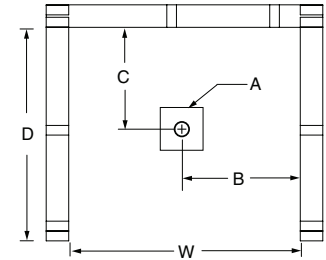


# Submittal Sheet

Aquatic products may be specified as Lasco Bathware.

# 1603TSCB

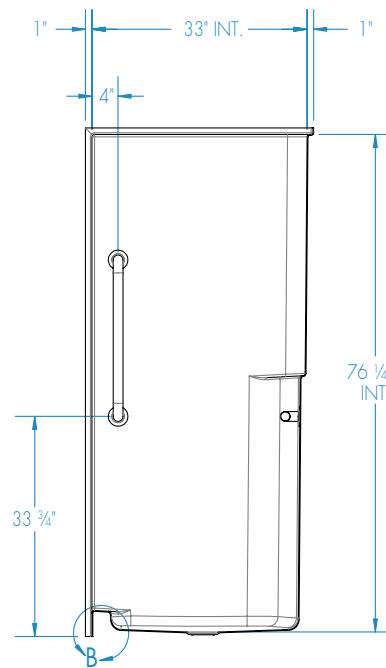
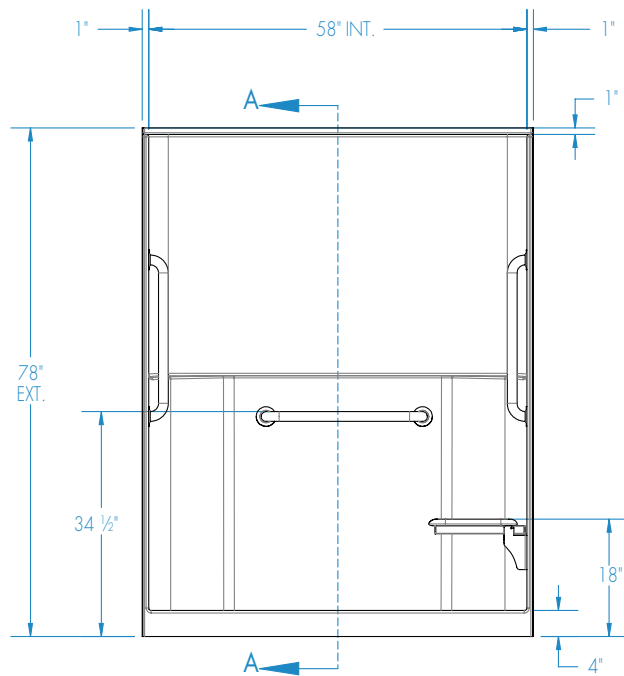
Please indicate changes needed.



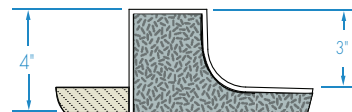
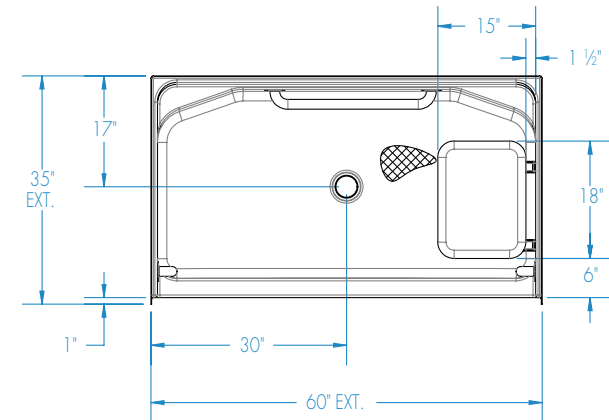
FRAMING DIMENSIONS inches

Type	D Depth	W Width	A Box Out	B	C
Alcove	35	60 1/8	Box Out	30	17

- Installation Options:**
1. Install in a recessed pit for rough-in floor installation.
  2. Build sub-floor to level finished floor with top of shower threshold.



SECTION AA



DETAIL B

Shell tolerance: +0, - 3/8" All other tolerances: ± 1"



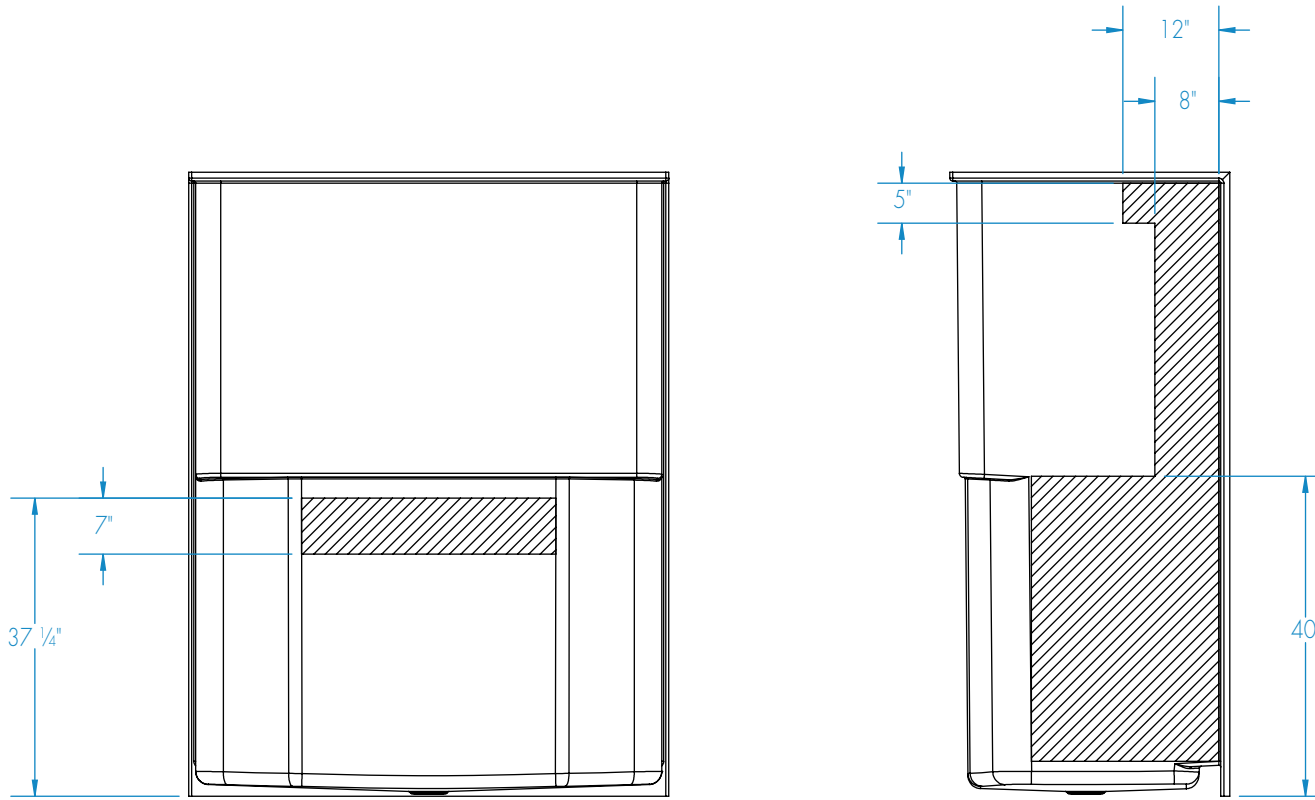
# Submittal Sheet

Aquatic products may be specified as Lasco Bathware.

# 1603TSCB

Please indicate changes needed.

## Reinforcement Locations (Standard)



BACK VIEW

SIDE VIEW (typ.)

 = GRAB BAR REINFORCEMENT

Shell tolerance: +0, - 3/8" All other tolerances: ±1"