



Submittal Sheet

Aquatic products may be specified as Lasco Bathware.

1603BFSTD

ADA/TAS Compliant with Seat

CUSTOMER: _____
 JOB NAME: _____
 PO #: _____
 QUOTE #: _____ QUANTITY: _____
 SHIP TO: _____

_____/_____/_____
 PLUMBING CONTRACTOR APPROVAL DATE

_____/_____/_____
 GENERAL CONTRACTOR APPROVAL DATE

_____/_____/_____
 ENGINEER APPROVAL DATE

_____/_____/_____
 ARCHITECT APPROVAL DATE

STANDARD FEATURES

- Code compliant when fully equipped and installed according to guidelines
- Pre-leveled base
- Barrier-free design
- Center drain location
- Slip resistant, textured bottom [ASTM F-462]

CONFIGURATION

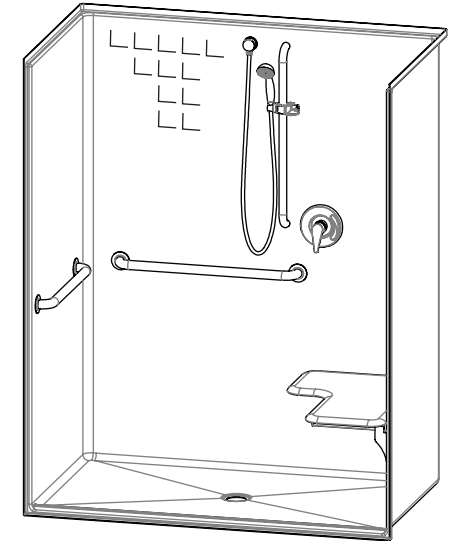
- Fully equipped with seat — ADA
- Seat location LH RH
- Includes one 24" x 1½" diameter grab bar located on the side wall;
- One 30" x 1½" diameter grab bar located on the back wall;
- white-cushioned, L-shaped fold-up seat; pressure balancing mixing valve and hand-held shower assembly (on back wall offset seat), per ADA guidelines

CUSTOM OPTIONS (not avail. if ADA config. is selected)

- Fixture Wall LH RH Back Wall
- Grab bars:
- One 24" (side wall) and one 30" (back wall)
- Stainless steel (1½" dia.) LH RH
- Powder-coated white (1¼" dia.) LH RH
- L-shaped fold-up seat LH RH
- Cushioned white Phenolic teak Phenolic white
- Hand-held shower assembly with 30" slide bar and 60" hose
- Pressure balancing mixing valve

OPTIONAL ACCESSORIES (available for all models)

- Soap dish
- Curtain rod (Not ADA compliant)
- Shower curtain
- Vinyl flexible dam
- Removable threshold
- Brass drain
- Colors:
- Standard White
- Upgraded Almond Biscuit Bone
- Other (contact customer service for custom color options)
- Additional accessories:



IMPORTANT: ADA compliant showers with NO interior threshold will have water escape onto the bathroom floor. Aquatic highly recommends you take the following precautions:

1. Install only the minimum number of ADA units without an interior threshold required for each job. If possible install Aquatic's accessible models that have a ½" interior threshold to reduce the amount of water that escapes from the shower.
2. When installing units with NO interior threshold, install a FLOOR DRAIN to control the water that escapes onto the bathroom floor.
3. Depending on your application, you may choose to install Aquatic's vinyl flexible dam or removable threshold, which helps better retain water within the shower. However, these items may not necessarily meet ADA or other code requirements. Always confirm code compliance with your local building authority.

| | |
|--------------|---|
| Int. Dim. | 60 W x 34 D x 75 ¾ H |
| Ext. Dim. | 62 W x 36 ¼ D x 77 ¼ H |
| Skirt Ht. | ¾ skirt, ½ beveled threshold |
| Packaged Wt. | 212 lbs. gross |
| Material | AcrylX™ applied acrylic |
| Warranty | AcrylX™ Finished Products — Lifetime Limited (30 year commercial) |

inches

For pricing of units and additional options, reference the Aquatic Price Book.

To complete your order, this document must be signed and faxed to the Aquatic Centralized Customer Service Center.

Fax (866) 544-5353 • Phone (800) 945-2726

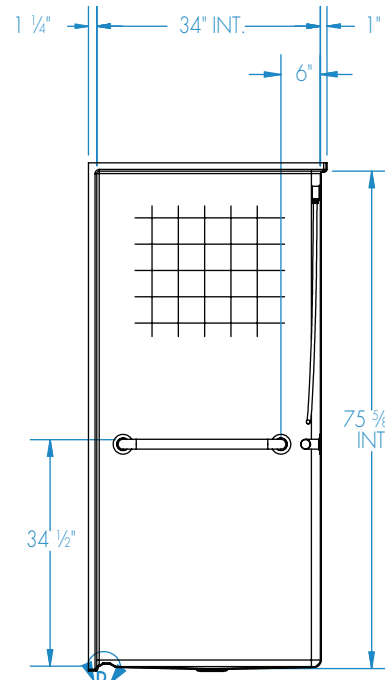
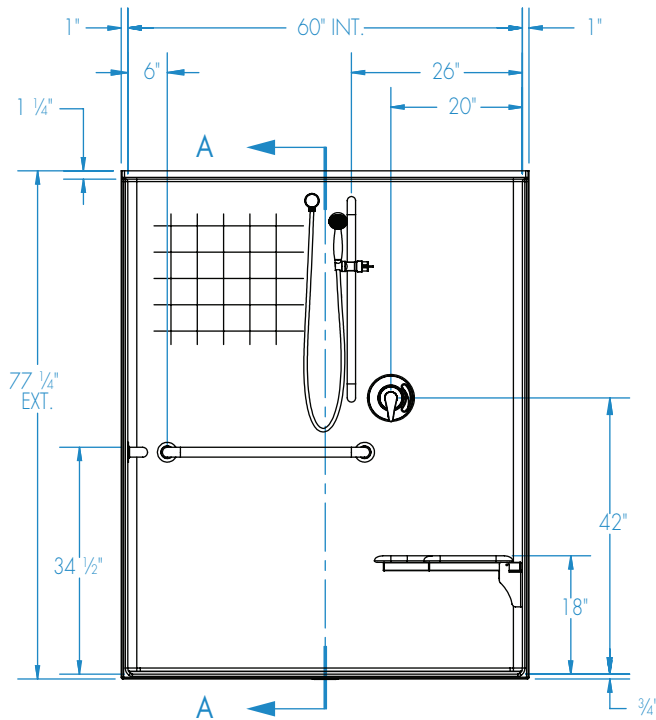


Submittal Sheet

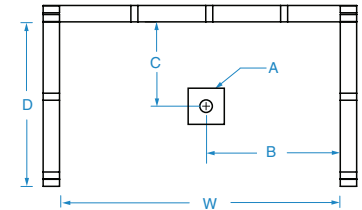
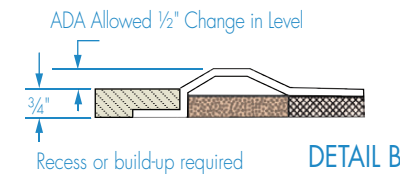
Aquatic products may be specified as Lasco Bathware.

1603BFSTD ADA/TAS Compliant with Seat

Please indicate changes needed.



SECTION A-A

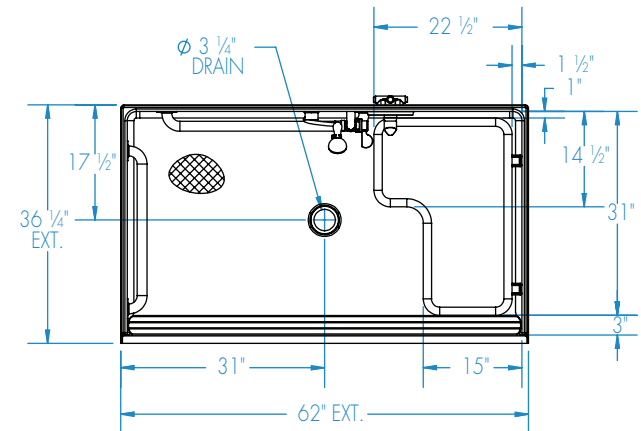


FRAMING DIMENSIONS inches

| Type | D Depth | W Width | A | B | C |
|--------|------------|------------|---------|----|--------|
| Alcove | 36 1/4 | 62 1/8 | Box Out | 31 | 17 1/2 |

Installation Options:

1. Install in a recessed pit for rough-in floor installation.
2. Build sub-floor to level finished floor with top of shower threshold.



Shell tolerance: +0, -3/8" All other tolerances: ±1"



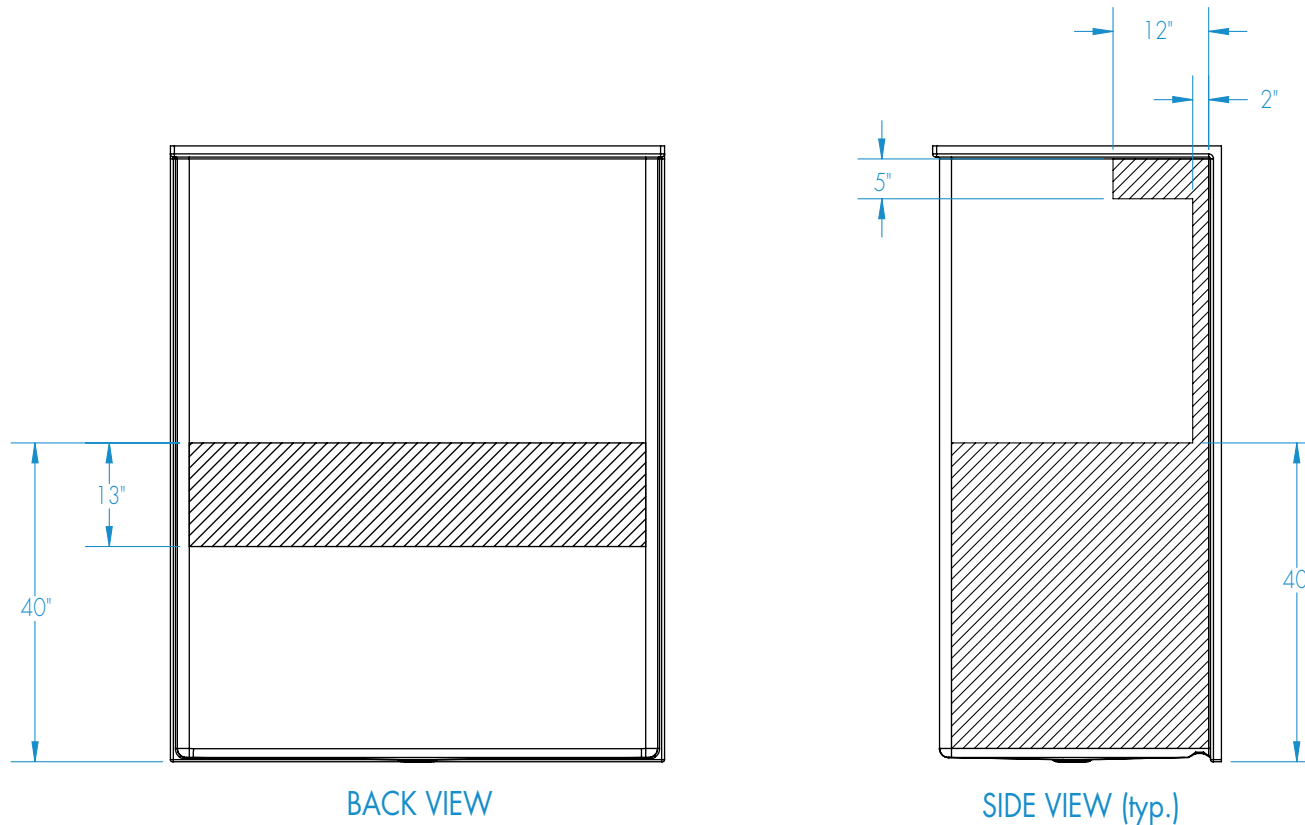
Submittal Sheet

Aquatic products may be specified as Lasco Bathware.

1603BFSTD ADA/TAS Compliant with Seat

Please indicate changes needed.

Reinforcement Locations (Standard)



 = GRAB BAR REINFORCEMENT

Shell tolerance: +0, - 3/8" All other tolerances: ± 1"



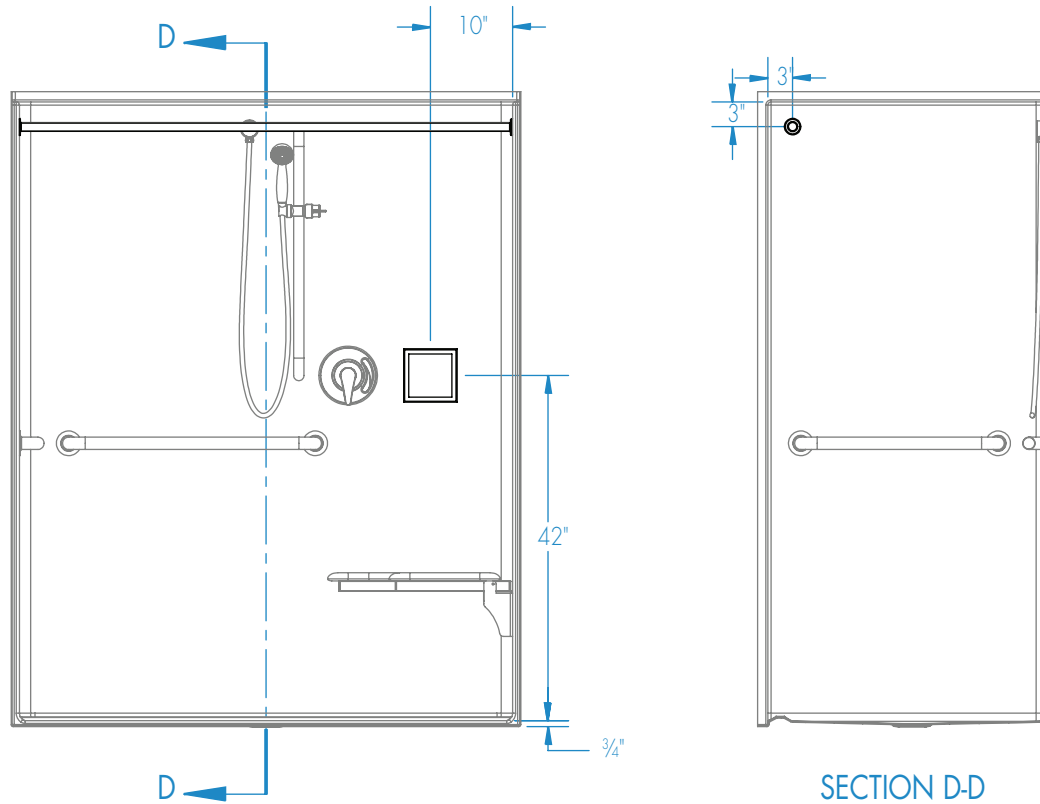
Submittal Sheet

Aquatic products may be specified as Lasco Bathware.

1603BFSTD ADA/TAS Compliant with Seat

Please indicate changes needed.

Curtain Rod and Soap Dish Locations (Standard Valve Configuration)



Shell tolerance: +0, - 3/8" All other tolerances: ±1"