



# Submittal Sheet

Aquatic products may be specified as Lasco Bathware.

# 1603BFSDMA

521 CMR Compliant\*

CUSTOMER: \_\_\_\_\_  
 JOB NAME: \_\_\_\_\_  
 PO #: \_\_\_\_\_  
 QUOTE #: \_\_\_\_\_ QUANTITY: \_\_\_\_\_  
 SHIP TO: \_\_\_\_\_  
 \_\_\_\_\_

\_\_\_\_\_/\_\_\_\_\_/\_\_\_\_\_  
 PLUMBING CONTRACTOR APPROVAL DATE

\_\_\_\_\_/\_\_\_\_\_/\_\_\_\_\_  
 GENERAL CONTRACTOR APPROVAL DATE

\_\_\_\_\_/\_\_\_\_\_/\_\_\_\_\_  
 ENGINEER APPROVAL DATE

\_\_\_\_\_/\_\_\_\_\_/\_\_\_\_\_  
 ARCHITECT APPROVAL DATE

## STANDARD FEATURES

- Code compliant when fully equipped and installed according to guidelines
- Pre-leveled base
- Barrier-free design
- Center drain location
- Slip resistant, textured bottom [ASTM F-462]

## CONFIGURATION

- Fully equipped — 521CMR\*
  - Seat location  LH  RH
  - Includes one 24" x 1 1/4" diameter etched grab bar located on the side wall;
  - One 42" x 1 1/4" diameter etched grab bar located on the back wall;
  - white-cushioned, rectangular fold-up seat; pressure balancing mixing valve and hand-held shower assembly (on back wall offset seat), per 521 CMR guidelines.

## CUSTOM OPTIONS (not available if 521 CMR config. is selected)

- Fixture Wall  LH  RH  Back Wall
- Etched grab bars:
  - 24" x 1 1/4" dia. (side wall)
  - One 42" x 1 1/4" dia. (back wall)
- Hand-held shower assembly with 30" slide bar and 60" hose
- Pressure balancing mixing valve

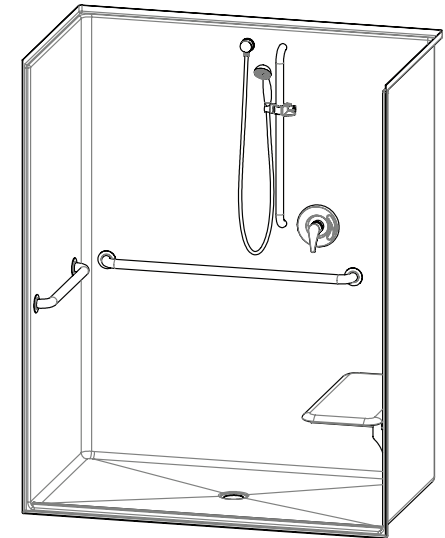
## OPTIONAL ACCESSORIES (available for all models)

- Soap dish
- Curtain rod
- Shower curtain
- Vinyl flexible dam
- Removable threshold
- Brass drain
- Colors:
  - Standard  White
  - Upgraded  Almond  Biscuit  Bone
  - Other (contact customer service for custom color options)
- Additional accessories

For pricing of units and additional options, reference the Aquatic Price Book.

\*This configuration may not be compliant in all applications.

Call customer service to confirm MA code compliance.



**IMPORTANT:** ADA compliant showers with NO interior threshold will have water escape onto the bathroom floor. Aquatic highly recommends you take the following precautions:

1. Install only the minimum number of ADA units without an interior threshold required for each job. If possible install Aquatic's accessible models that have a 1/2" interior threshold to reduce the amount of water that escapes from the shower.
2. When installing units with NO interior threshold, install a FLOOR DRAIN to control the water that escapes onto the bathroom floor.
3. Depending on your application, you may choose to install Aquatic's vinyl flexible dam or removable threshold, which helps better retain water within the shower. However, these items may not necessarily meet ADA or other code requirements. Always confirm code compliance with your local building authority.

Int. Dim. 60 W x 34 D x 74 7/8 H  
 Ext. Dim. 62 W x 36 1/4 D x 76 7/8 H  
 Skirt Ht. 3/4 skirt, 1/2 beveled threshold  
 Packaged Wt. 212 lbs. gross  
 Material AcrylX™ applied acrylic  
 Warranty AcrylX™ Finished Products — Lifetime Limited (30 year commercial)

inches

To complete your order, this document must be signed and faxed to the Aquatic Centralized Customer Service Center.

**Fax (866) 544-5353 • Phone (800) 945-2726**

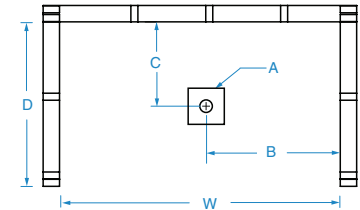


# Submittal Sheet

Aquatic products may be specified as Lasco Bathware.

## 1603BFSDMA 521 CMR Compliant\*

Please indicate changes needed.

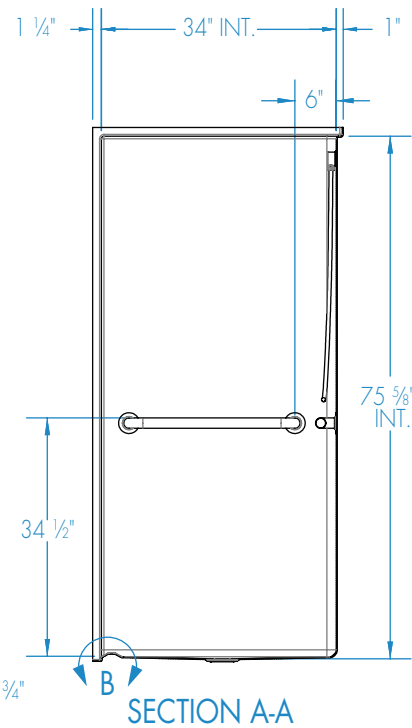
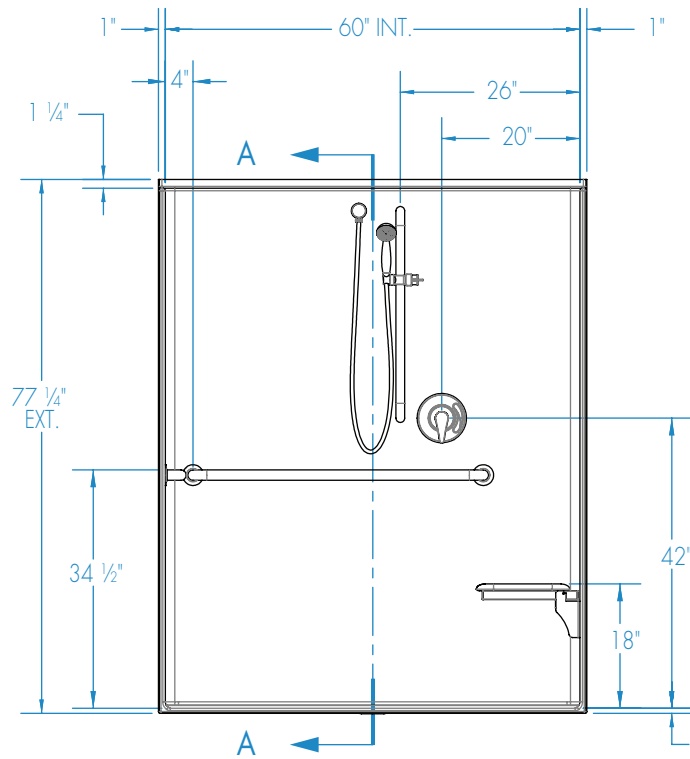


FRAMING DIMENSIONS inches

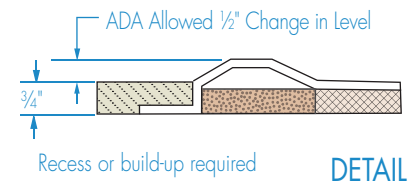
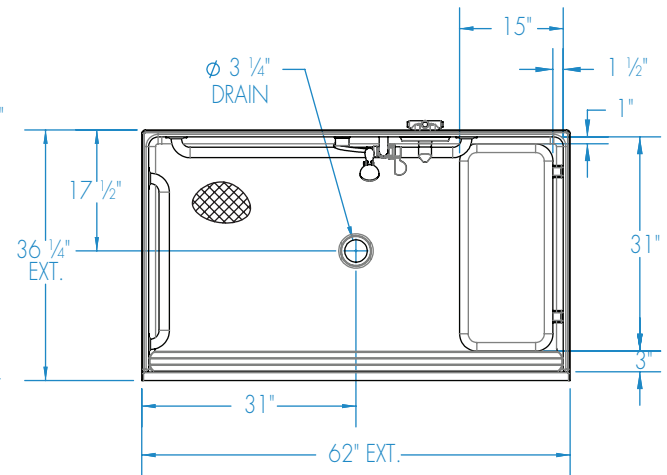
| Type   | D<br>Depth | W<br>Width | A       | B   | C       |
|--------|------------|------------|---------|-----|---------|
| Alcove | 36 1/4"    | 62 1/8"    | Box Out | 31" | 17 1/2" |

**Installation Options:**

1. Install in a recessed pit for rough-in floor installation.
2. Build sub-floor to level finished floor with top of shower threshold.



SECTION A-A



DETAIL B

Shell tolerance: +0, - 3/6" All other tolerances: ± 1"



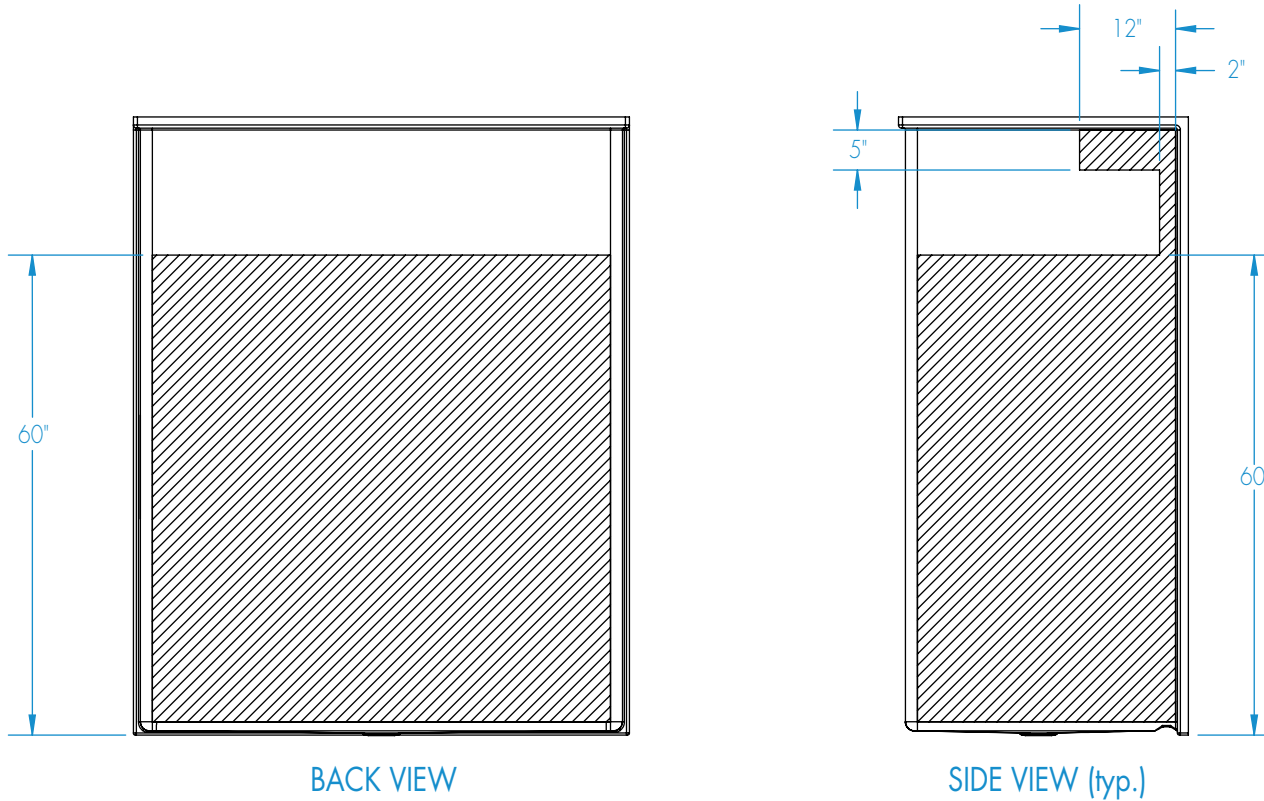
# Submittal Sheet

Aquatic products may be specified as Lasco Bathware.

1603BFSDMA 521 CMR Compliant\*

Please indicate changes needed.

## Reinforcement Locations (Standard)



 = GRAB BAR REINFORCEMENT

Shell tolerance: +0, - 3/8" All other tolerances: ±1"