



Submittal Sheet

Aquatic products may be specified as Lasco Bathware.

1603BFSC

ANSI Compliant with Seat

CUSTOMER: _____
 JOB NAME: _____
 PO #: _____
 QUOTE #: _____ QUANTITY: _____
 SHIP TO: _____

_____/_____/_____
 PLUMBING CONTRACTOR APPROVAL DATE
 ____/____/_____
 GENERAL CONTRACTOR APPROVAL DATE
 ____/____/_____
 ENGINEER APPROVAL DATE
 ____/____/_____
 ARCHITECT APPROVAL DATE

STANDARD FEATURES

- Code compliant when fully equipped and installed according to guidelines
- Pre-leveled base
- Barrier-free design
- Center drain location
- Slip resistant, textured bottom [ASTM F-462]

CONFIGURATION

- Fully equipped with seat — ANSI
 Seat location LH RH
 Includes one 24" x 1½" diameter grab bar located on the side wall; One 30" x 1½" diameter grab bar located on the back wall; One 18" x 1½" diameter vertical grab bar; white-cushioned, L-shaped fold-up seat; pressure balancing mixing valve and hand-held shower assembly (on back wall offset seat), per ANSI guidelines

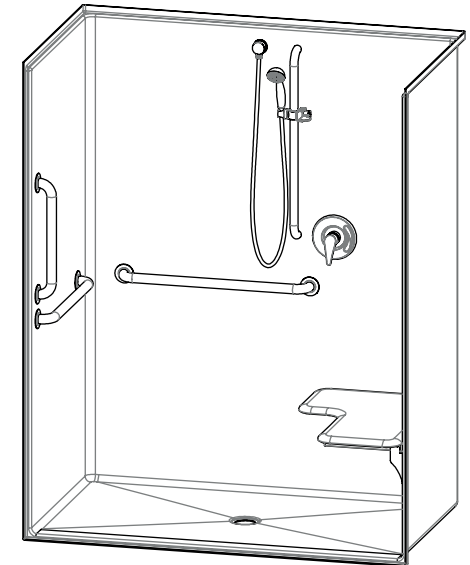
CUSTOM OPTIONS (not avail. if ANSI config. is selected)

- Fixture Wall LH RH Back Wall
 Grab bars:
 One 24" (side wall) and one 30" (back wall)
 Stainless steel (1½" dia.) LH RH
 Powder-coated white (1¼" dia.) LH RH
 L-shaped fold-up seat LH RH
 Cushioned white Phenolic teak Phenolic white
 Hand-held shower assembly with 30" slide bar and 60" hose
 Pressure balancing mixing valve

OPTIONAL ACCESSORIES (available for all models)

- Soap dish
 Curtain rod (Not ANSI compliant)
 Shower curtain
 Vinyl flexible dam
 Removable threshold
 Brass drain
 Colors:
 Standard White
 Upgraded Almond Biscuit Bone
 Other (contact customer service for custom color options)
 Additional accessories:

For pricing of units and additional options, reference the Aquatic Price Book.



IMPORTANT: ADA compliant showers with NO interior threshold will have water escape onto the bathroom floor. Aquatic highly recommends you take the following precautions:

1. Install only the minimum number of ADA units without an interior threshold required for each job. If possible install Aquatic's accessible models that have a ½" interior threshold to reduce the amount of water that escapes from the shower.
2. When installing units with NO interior threshold, install a FLOOR DRAIN to control the water that escapes onto the bathroom floor.
3. Depending on your application, you may choose to install Aquatic's vinyl flexible dam or removable threshold, which helps better retain water within the shower. However, these items may not necessarily meet ADA or other code requirements. Always confirm code compliance with your local building authority.

Int. Dim. 60 W x 34 D x 75 ⅝ H
Ext. Dim. 62 W x 36 ¼ D x 77 ¼ H
Skirt Ht. ¾ skirt, NO interior threshold
Packaged Wt. 212 lbs. gross
Material AcrylX™ applied acrylic
Warranty AcrylX™ Finished Products — Lifetime Limited (30 year commercial)

inches

To complete your order, this document must be signed and faxed to the Aquatic Centralized Customer Service Center.

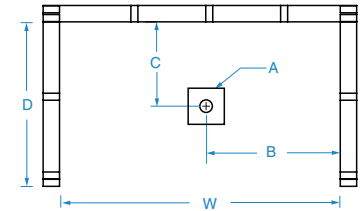
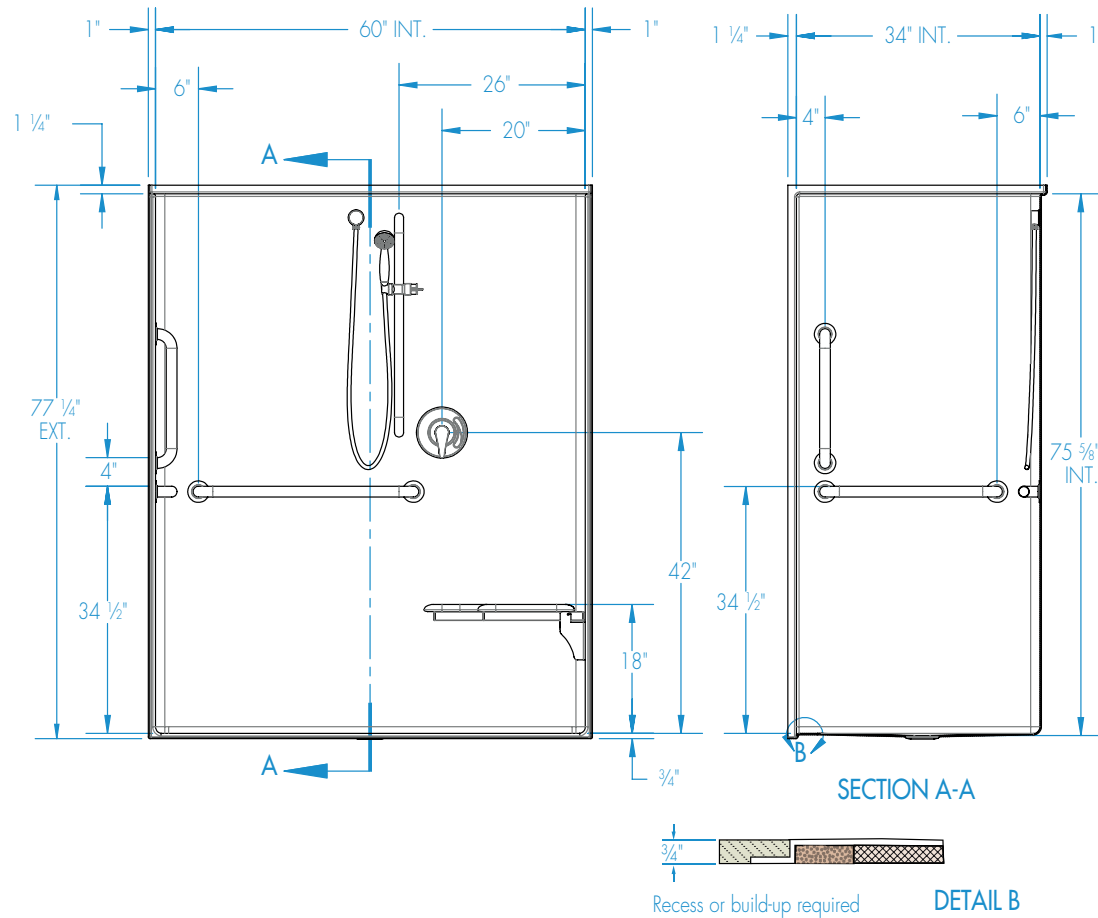
Fax (866) 544-5353 • Phone (800) 945-2726



Submittal Sheet

Aquatic products may be specified as Lasco Bathware.

1603BFSC ANSI Compliant with Seat
Please indicate changes needed.

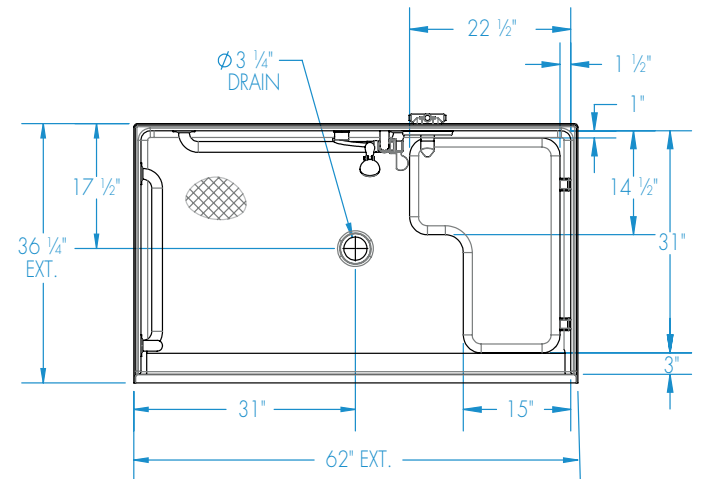


FRAMING DIMENSIONS inches

Type	D Depth	W Width	A	B	C
Alcove	36 1/4"	62 1/8"	Box Out	31"	17 1/2"

Installation Options:

1. Install in a recessed pit for rough-in floor installation.
2. Build sub-floor to level finished floor with top of shower threshold.



Shell tolerance: +0, - 3/6" All other tolerances: ± 1"



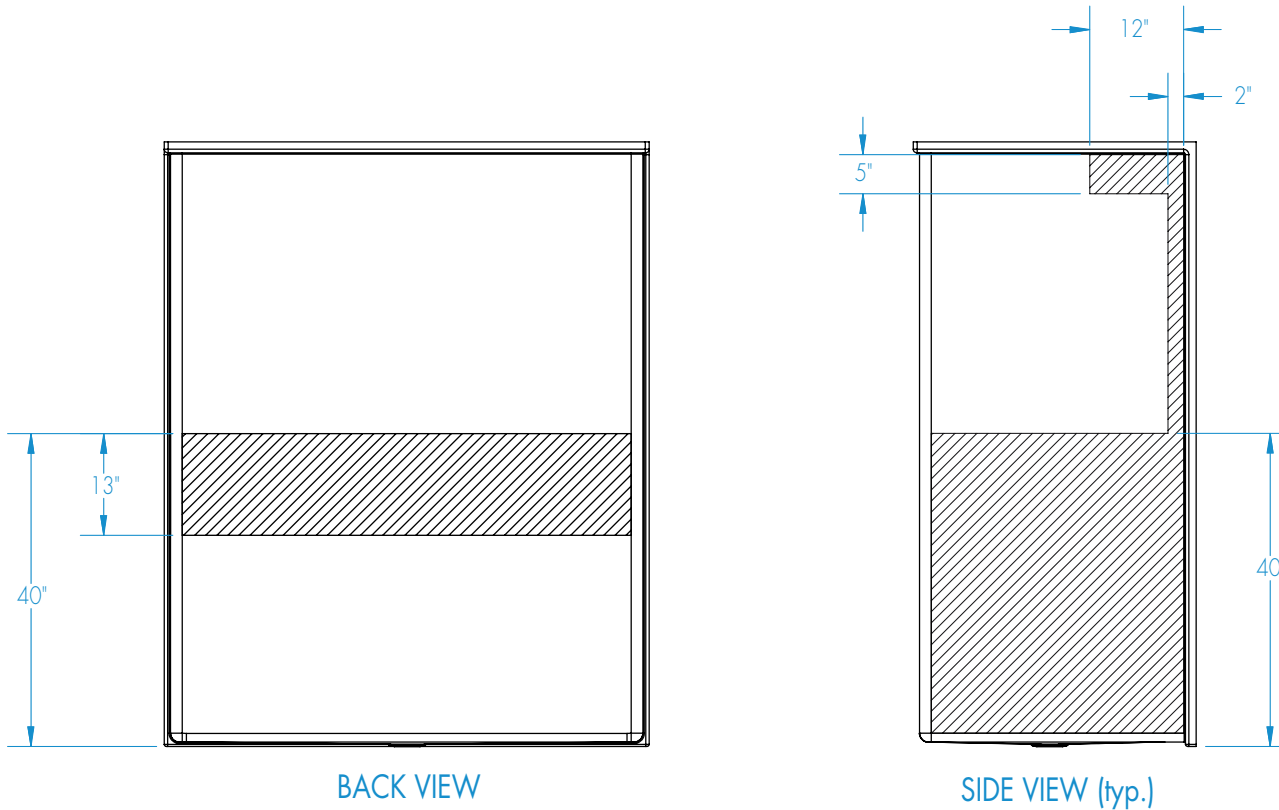
Submittal Sheet

Aquatic products may be specified as Lasco Bathware.

1603BFSC ANSI Compliant with Seat

Please indicate changes needed.

Reinforcement Locations (Standard)



 = GRAB BAR REINFORCEMENT

Shell tolerance: +0, - 3/8" All other tolerances: ±1"



Submittal Sheet

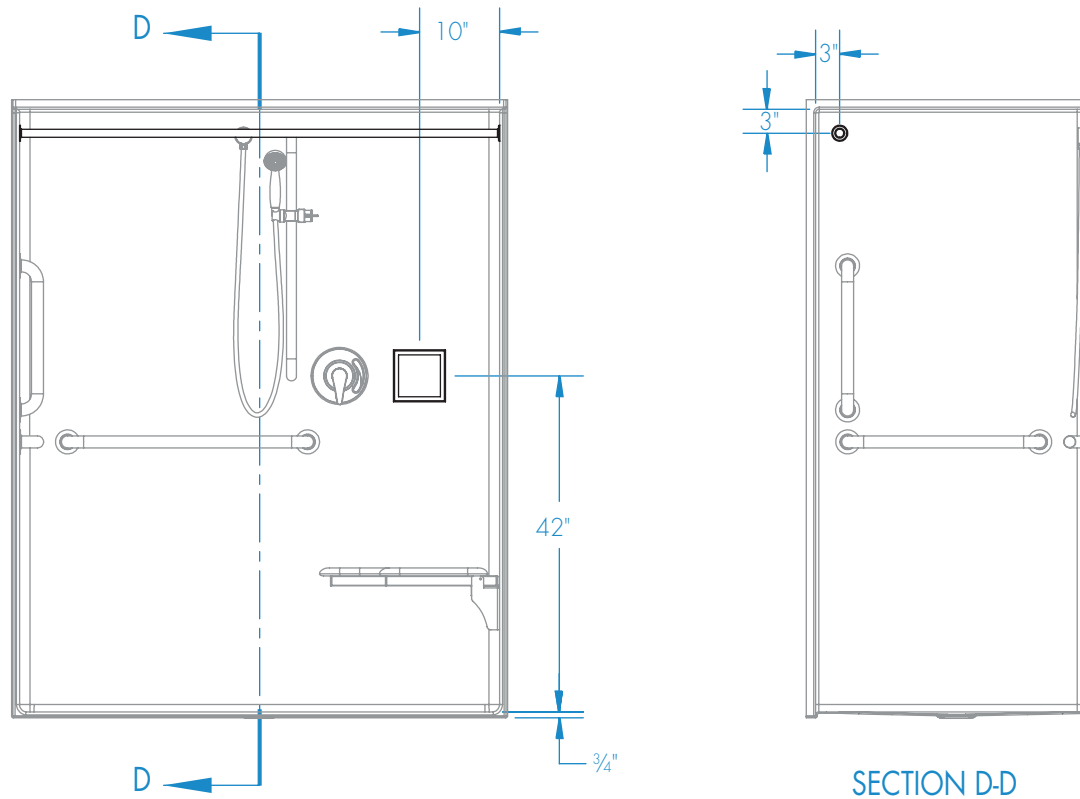
Aquatic products may be specified as Lasco Bathware.

1603BFSC

ANSI Compliant with Seat

Please indicate changes needed.

Curtain Rod and Soap Dish Locations (Standard Configuration)



Shell tolerance: +0, - 3/8" All other tolerances: ±1"