



# Submittal Sheet

Aquatic products may be specified as Lasco Bathware.

# 16030BFSC

ANSI Compliant with Seat

CUSTOMER: \_\_\_\_\_  
 JOB NAME: \_\_\_\_\_  
 PO #: \_\_\_\_\_  
 QUOTE #: \_\_\_\_\_ QUANTITY: \_\_\_\_\_  
 SHIP TO: \_\_\_\_\_

\_\_\_\_\_/\_\_\_\_\_/\_\_\_\_\_  
 PLUMBING CONTRACTOR APPROVAL DATE

\_\_\_\_\_/\_\_\_\_\_/\_\_\_\_\_  
 GENERAL CONTRACTOR APPROVAL DATE

\_\_\_\_\_/\_\_\_\_\_/\_\_\_\_\_  
 ENGINEER APPROVAL DATE

\_\_\_\_\_/\_\_\_\_\_/\_\_\_\_\_  
 ARCHITECT APPROVAL DATE

## STANDARD FEATURES

- Code compliant when fully equipped and installed according to guidelines
- Pre-leveled base
- Center drain location
- Slip resistant, textured bottom [ASTM F-462]

## CONFIGURATION

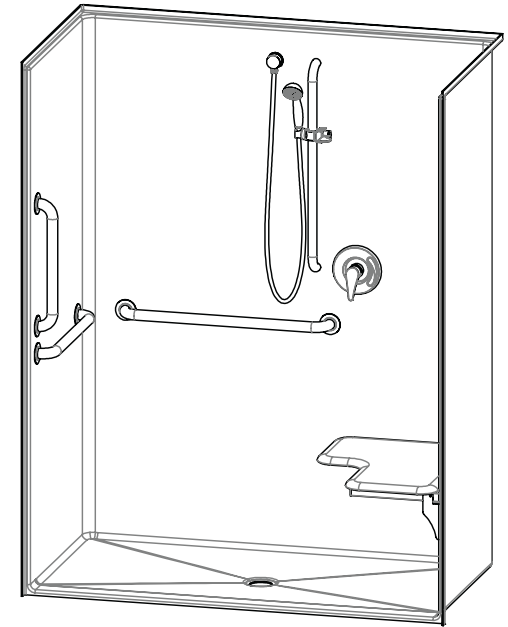
- Fully equipped with seat — ANSI
- Seat location  LH  RH
- Includes one 22" x 1½" diameter grab bar located on the side wall; One 30" x 1½" diameter grab bar located on the back wall; One 18" x 1½" diameter vertical grab bar; white-cushioned, L-shaped fold-up seat; pressure balancing mixing valve and hand-held shower assembly (on back wall offset seat), per ANSI guidelines

## CUSTOM OPTIONS (not avail. if ANSI config. is selected)

- Fixture Wall  LH  RH  Back Wall
- Grab bars:
- One 22" (side wall) and one 30" (back wall)
- Stainless steel (1½" dia.)  LH  RH
- Powder-coated white (1¼" dia.)  LH  RH
- L-shaped fold-up seat  LH  RH
- Cushioned white  Phenolic teak  Phenolic white
- Hand-held shower assembly with 30" slide bar and 60" hose
- Pressure balancing mixing valve

## OPTIONAL ACCESSORIES (available for all models)

- Soap dish
- Curtain rod (Not ANSI compliant)
- Shower curtain
- Vinyl flexible dam
- Removable threshold
- Brass drain
- Colors:
- Standard  White
- Upgraded  Almond  Biscuit  Bone
- Other (contact customer service for custom color options)
- Additional accessories:



**IMPORTANT:** ADA compliant showers with NO interior threshold will have water escape onto the bathroom floor. Aquatic highly recommends you take the following precautions:

1. Install only the minimum number of ADA units without an interior threshold required for each job. If possible install Aquatic's accessible models that have a ½" interior threshold to reduce the amount of water that escapes from the shower.
2. When installing units with NO interior threshold, install a FLOOR DRAIN to control the water that escapes onto the bathroom floor.
3. Depending on your application, you may choose to install Aquatic's vinyl flexible dam or removable threshold, which helps better retain water within the shower. However, these items may not necessarily meet ADA or other code requirements. Always confirm code compliance with your local building authority.

Int. Dim. 60 W x 30 ¼ D x 77 ½ H  
 Ext. Dim. 62 ¾ W x 32 ¾ D x 78 ½ H  
 Skirt Ht. ¼ skirt, ½ beveled threshold  
 Packaged Wt. 190 lbs. gross  
 Material AcrylX™ applied acrylic  
 Warranty AcrylX™ Finished Products — Lifetime Limited (30 year commercial)

inches

For pricing of units and additional options, reference the Aquatic Price Book.

To complete your order, this document must be signed and faxed to the Aquatic Centralized Customer Service Center.

**Fax (866) 544-5353 • Phone (800) 945-2726**

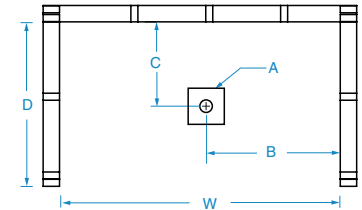
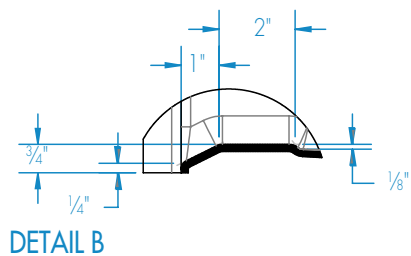
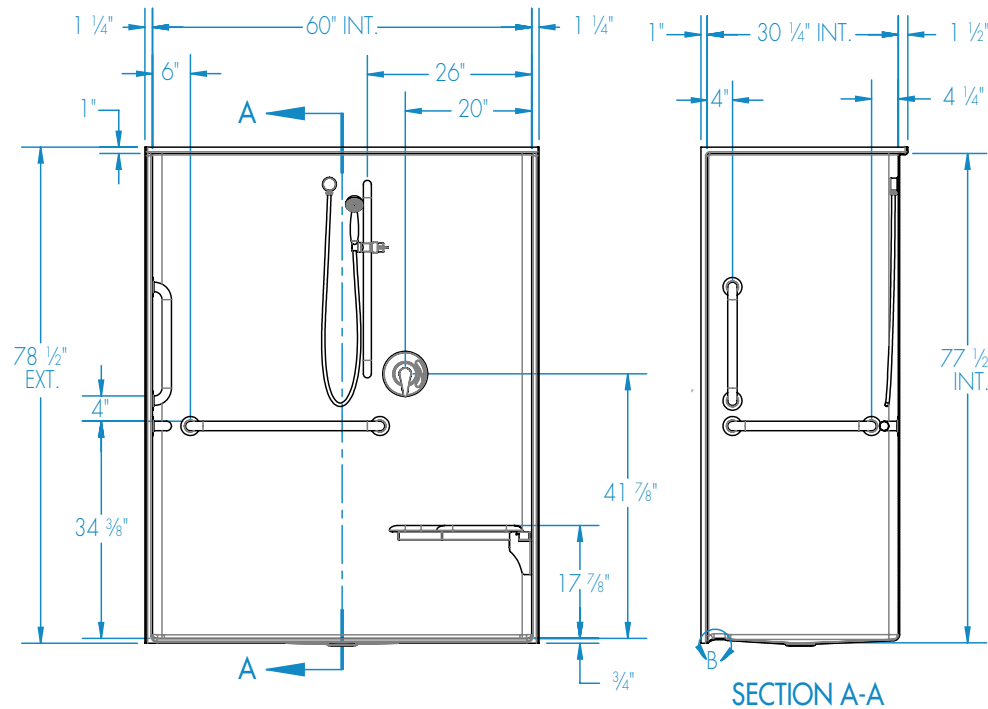


# Submittal Sheet

Aquatic products may be specified as Lasco Bathware.

## 16030BFSC ANSI Compliant with Seat

Please indicate changes needed.

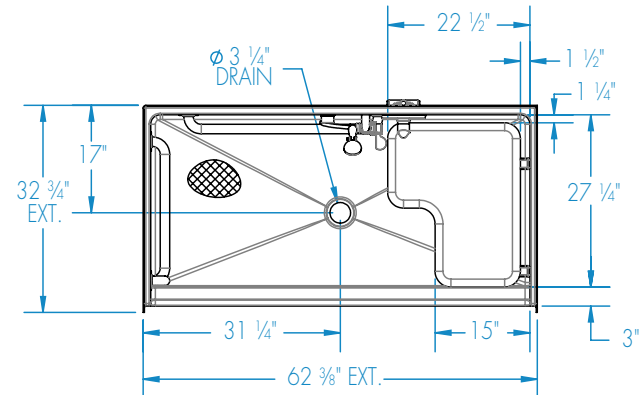


FRAMING DIMENSIONS inches

Type	D Depth	W Width	A	B	C
Alcove	32 3/4	62 1/2	Box Out	31	17

**Installation Options:**

1. Install in a recessed pit for rough-in floor installation.
2. Build sub-floor to level finished floor with top of shower threshold.



Shell tolerance: +0, - 3/8" All other tolerances: ± 1"

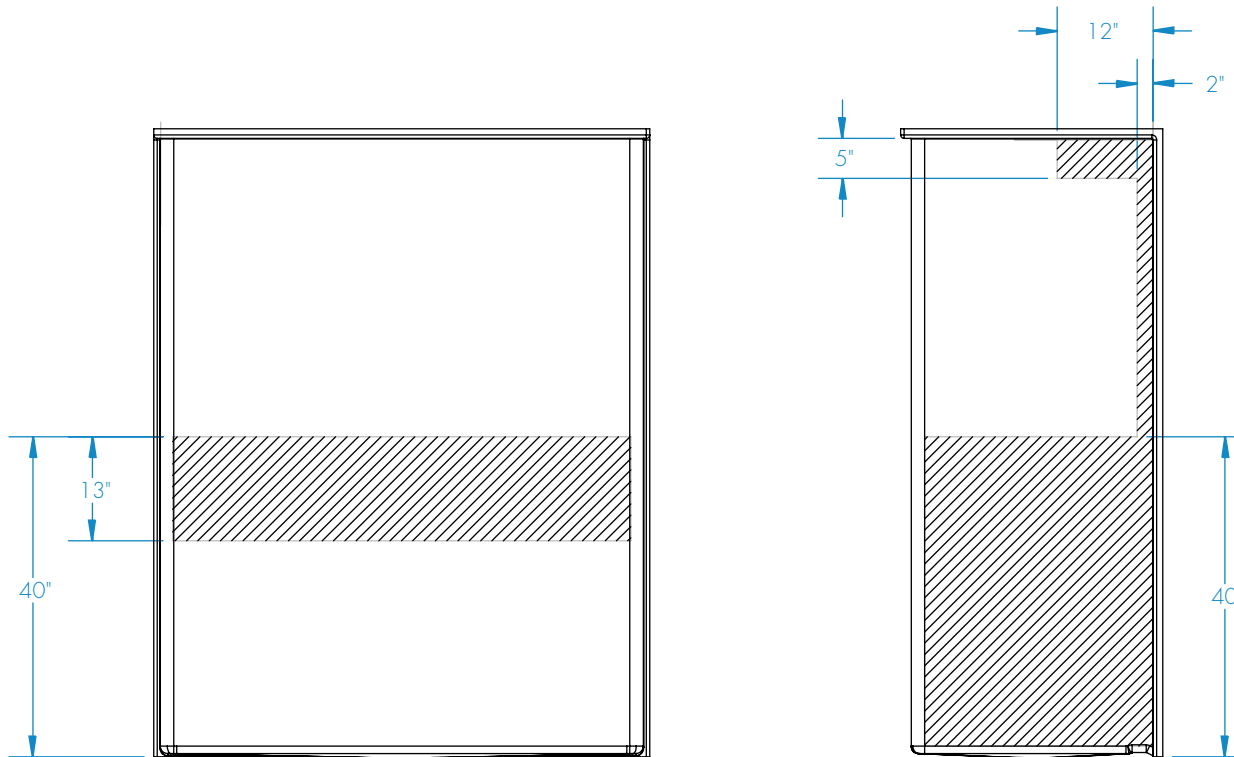


# Submittal Sheet

Aquatic products may be specified as Lasco Bathware.

**16030BFSC** ANSI Compliant with Seat  
Please indicate changes needed.

## Reinforcement Locations (Standard)



BACK VIEW

SIDE VIEW (typ.)

 = GRAB BAR REINFORCEMENT

Shell tolerance: +0, - 3/8" All other tolerances: ±1"



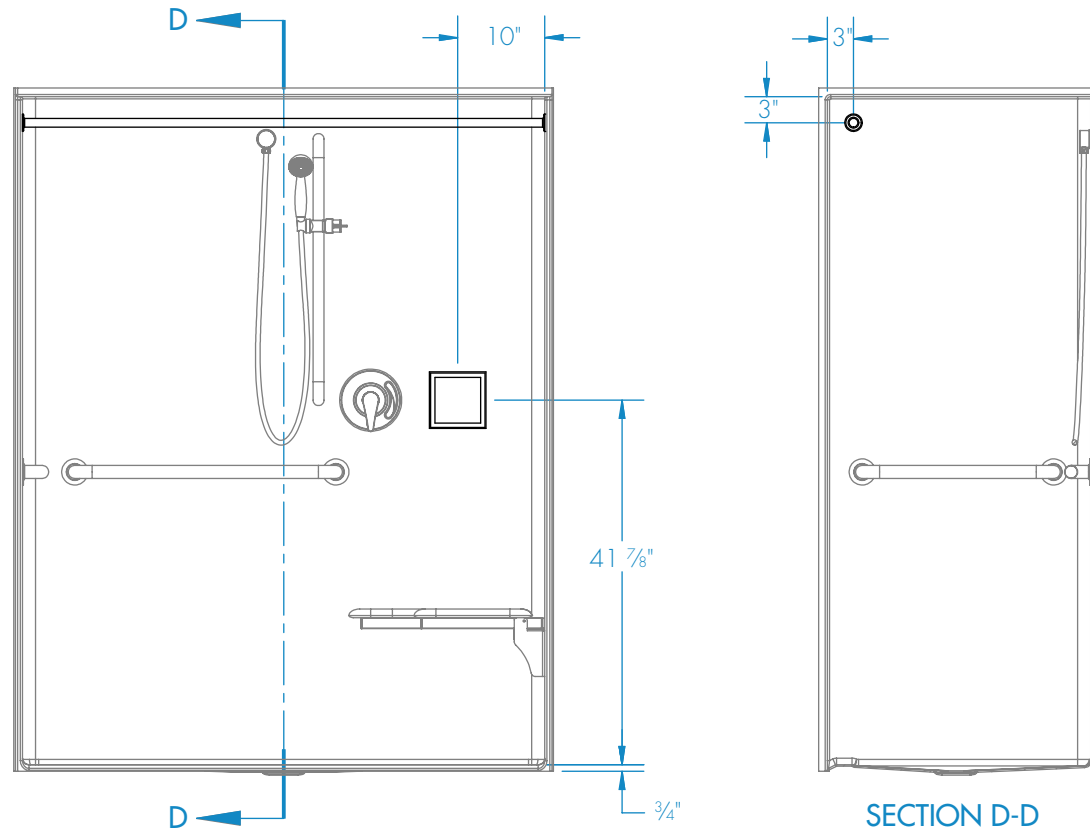
# Submittal Sheet

Aquatic products may be specified as Lasco Bathware.

**16030BFSC** ANSI Compliant with Seat

Please indicate changes needed.

## Curtain Rod and Recessed Soap Dish Locations (Standard Valve Configuration)



Shell tolerance: +0, - 3/8" All other tolerances: ± 1"