



# Submittal Sheet

Aquatic products may be specified as Lasco Bathware.

# 1483TSTH

Available East of the Rockies only

CUSTOMER: \_\_\_\_\_  
 JOB NAME: \_\_\_\_\_  
 PO #: \_\_\_\_\_  
 QUOTE #: \_\_\_\_\_ QUANTITY: \_\_\_\_\_  
 SHIP TO: \_\_\_\_\_

\_\_\_\_\_/\_\_\_\_\_/\_\_\_\_\_  
 PLUMBING CONTRACTOR APPROVAL DATE

\_\_\_\_\_/\_\_\_\_\_/\_\_\_\_\_  
 GENERAL CONTRACTOR APPROVAL DATE

\_\_\_\_\_/\_\_\_\_\_/\_\_\_\_\_  
 ENGINEER APPROVAL DATE

\_\_\_\_\_/\_\_\_\_\_/\_\_\_\_\_  
 ARCHITECT APPROVAL DATE

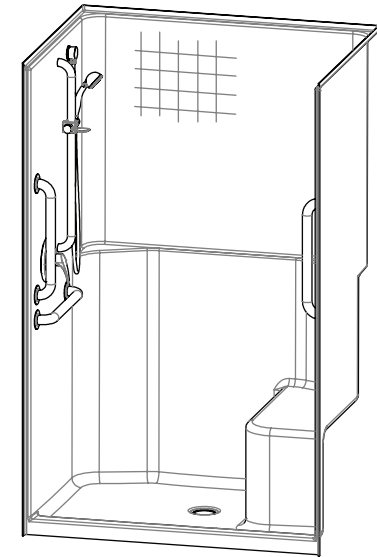
## STANDARD FEATURES

- Assisted living design
- 4" simulated smooth tile design
- Center drain location
- LH or RH molded seat
- Molded soap shelves
- Slip resistant, textured bottom [ASTM F-462]

## RECOMMENDED ACCESSORIES

- Fixture wall  LH  RH  
 Grab bars: [2] 24", [1] 18"  
 Stainless steel (1 1/4" dia.)  Powder-coated white (1 1/4" dia.)  
 Hand-held shower assembly with 30 slide bar and 60 hose  
 Pressure balancing mixing valve  
 Curtain rod  
 Shower curtain  
 Colors:  
 Standard  White  
 Upgraded  Almond  Biscuit  Bone  
 Other (contact customer service for custom color options)  
 Brass drain  
 Additional accessories \_\_\_\_\_

For pricing of units and additional options, reference The Aquatic Price Book.



**IMPORTANT:** ADA compliant showers with NO interior threshold will have water escape onto the bathroom floor. Aquatic highly recommends you take the following precautions:

1. Install only the minimum number of ADA units without an interior threshold required for each job. If possible install Aquatic's accessible models that have a 1/2 (15) interior threshold to reduce the amount of water that escapes from the shower.
2. When installing units with NO interior threshold, install a FLOOR DRAIN to control the water that escapes onto the bathroom floor.
3. Depending on your application, you may choose to install Aquatic's vinyl flexible dam or removable threshold, which helps better retain water within the shower. However, these items may not necessarily meet ADA or other code requirements. Always confirm code compliance with your local building authority.

- Int. Dim. 46 W x 34 1/4 D x 75 H  
 Ext. Dim. 48 W x 36 1/4 D x 76 1/2 H  
 Skirt Ht. 2 1/2 skirt  
 Packaged Wt. 120 lbs. gross  
 Material AcrylX™ applied acrylic  
 Warranty AcrylX™ Finished Products — Lifetime Limited (30 year commercial)

inches

To complete your order, this document must be signed and faxed to the Aquatic Centralized Customer Service Center.  
**Fax (866) 544-5353 • Phone (800) 945-2726**

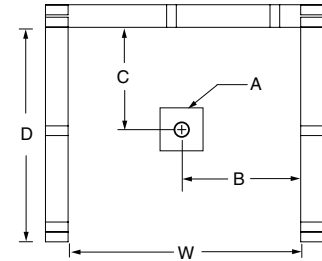


# Submittal Sheet

Aquatic products may be specified as Lasco Bathware.

# 1483TSTH

Please indicate changes needed.

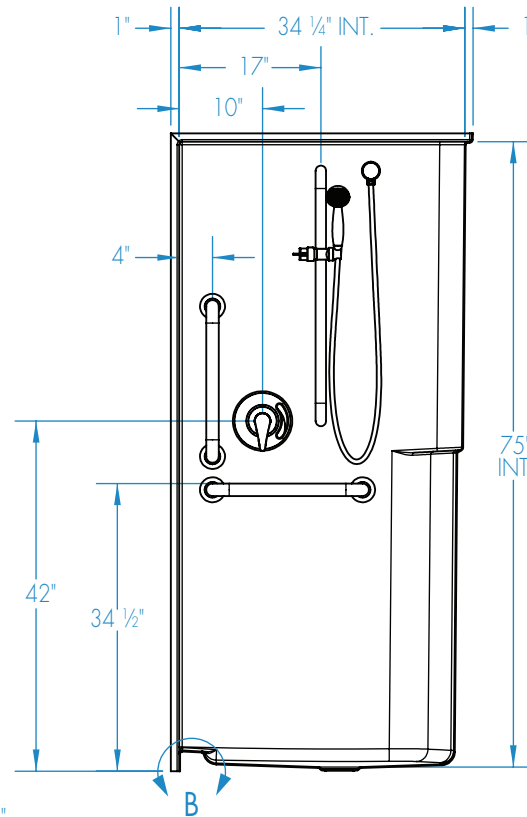
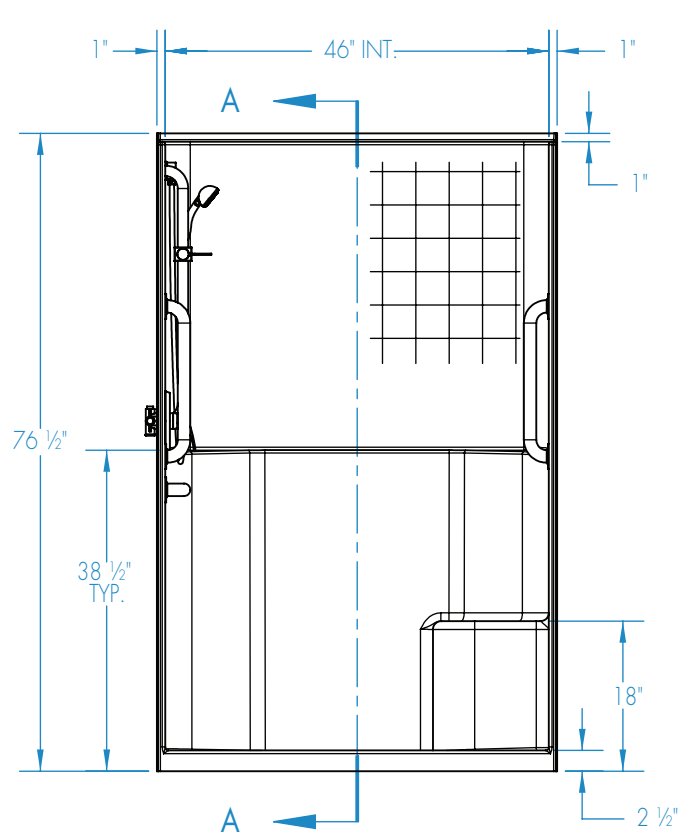


FRAMING DIMENSIONS inches

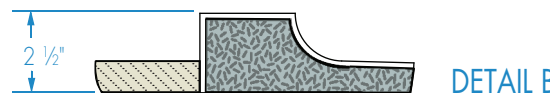
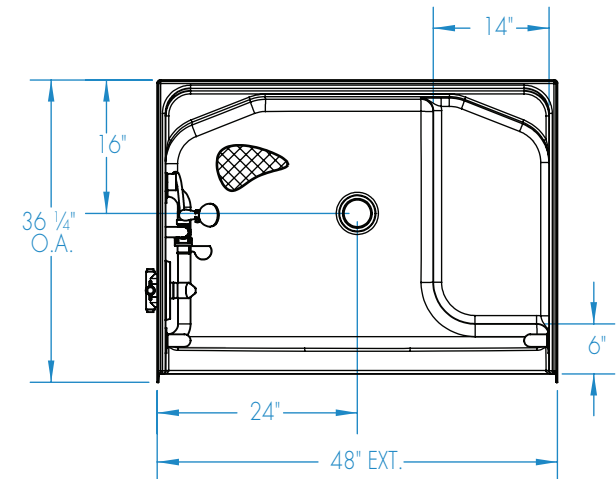
Type	D Depth	W Width	A	B	C
Alcove	36 1/4	48 1/8	Box Out	24	16

**Installation Options:**

1. Install in a recessed pit for rough-in floor installation.
2. Build sub-floor to level finished floor with top of shower threshold.



SECTION A-A



DETAIL B

Shell tolerance: +0, -3/8" All other tolerances: ±1"