



Submittal Sheet

14836ST

Aquatic products may be specified as Lasco Bathware.

CUSTOMER: _____

JOB NAME: _____

PO #: _____

QUOTE #: _____ QUANTITY: _____

SHIP TO: _____

_____/_____/_____
PLUMBING CONTRACTOR APPROVAL DATE

_____/_____/_____
GENERAL CONTRACTOR APPROVAL DATE

_____/_____/_____
ENGINEER APPROVAL DATE

_____/_____/_____
ARCHITECT APPROVAL DATE

STANDARD FEATURES

- Pre-leveled base
- Center drain location
- Slip resistant, textured bottom [ASTM F-462]

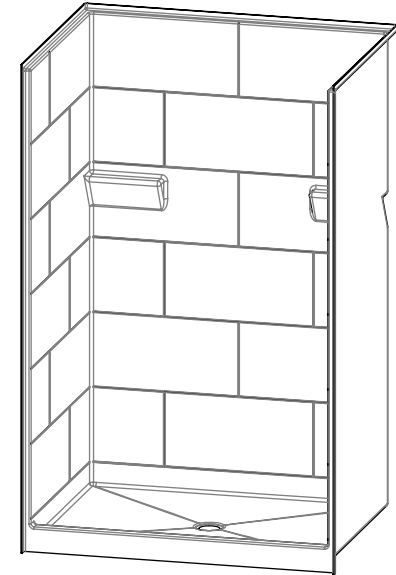
CONFIGURATION

- Fully equipped
- Seat location LH RH
- Includes (1 1/4" dia.) L-shaped grab bar, white-cushioned L-shaped fold-up seat, pressure balancing mixing valve and hand-held shower assembly

ADDITIONAL OPTIONS

- Fixture wall LH RH
- Horizontal L-shaped grab bar
 - Stainless steel (1 1/4" dia.) Powder-coated white (1 1/4" dia.)
- Vertical 18" grab bar
 - Stainless steel (1 1/4" dia.) Powder-coated white (1 1/4" dia.)
- L-shaped fold-up seat LH RH
- Hand-held shower assembly with 30" slide bar and 60" hose
- Pressure balancing mixing valve
- Soap dish
- Curtain rod
- Shower curtain
- Colors:
 - Standard White
 - Upgraded Almond Biscuit Bone
 - Other (contact customer service for custom color options)
- Brass drain
- Additional accessories _____

For pricing of units and additional options, reference the Aquatic Price Book.



- Int. Dim. 48 W x 36 D x 77 H
- Ext. Dim. 50 3/8 W x 38 1/2 D x 79 H
- Skirt Ht. 4" skirt
- Packaged Wt. 120 lbs. gross
- Material AcrylX™ applied acrylic
- Warranty AcrylX™ Finished Products — Lifetime Limited (30 year commercial)

inches

To complete your order, this document must be signed and faxed to the Aquatic Centralized Customer Service Center.
Fax (866) 544-5353 • Phone (800) 945-2726

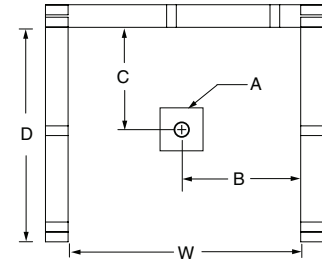


Submittal Sheet

Aquatic products may be specified as Lasco Bathware.

14836ST

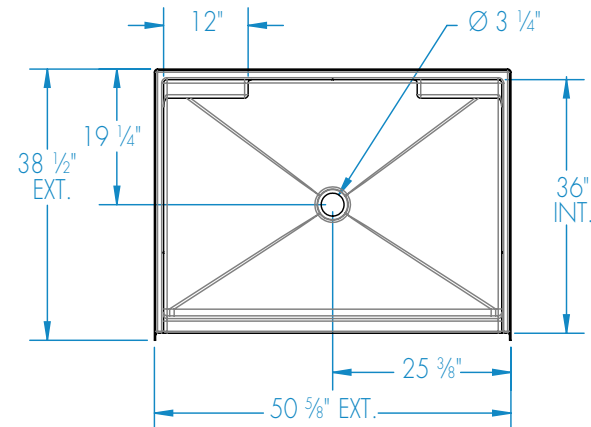
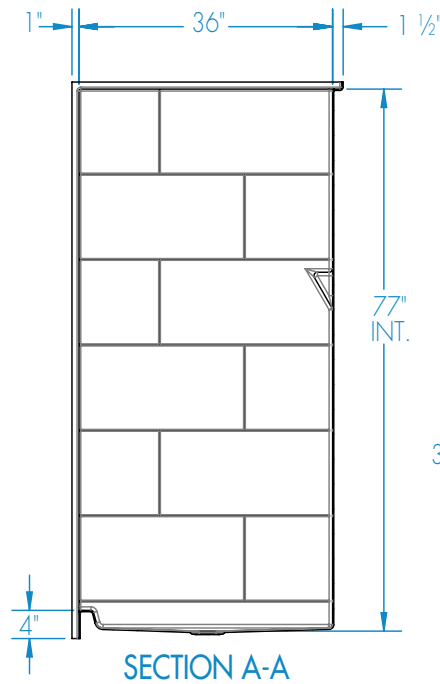
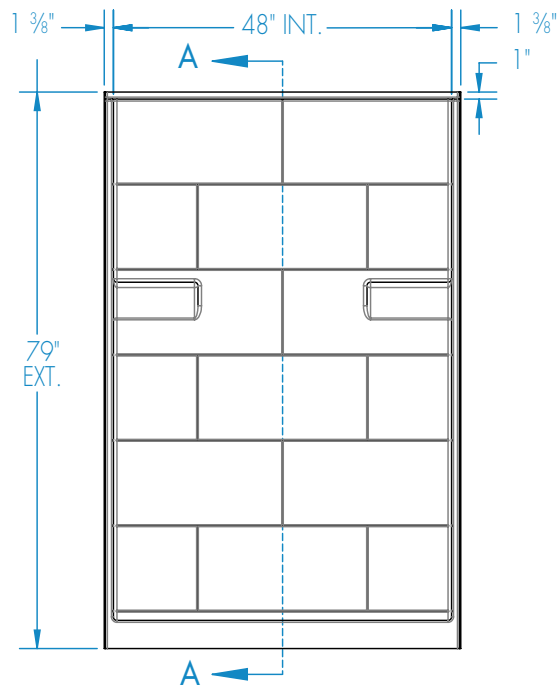
Please indicate changes needed.



FRAMING DIMENSIONS inches

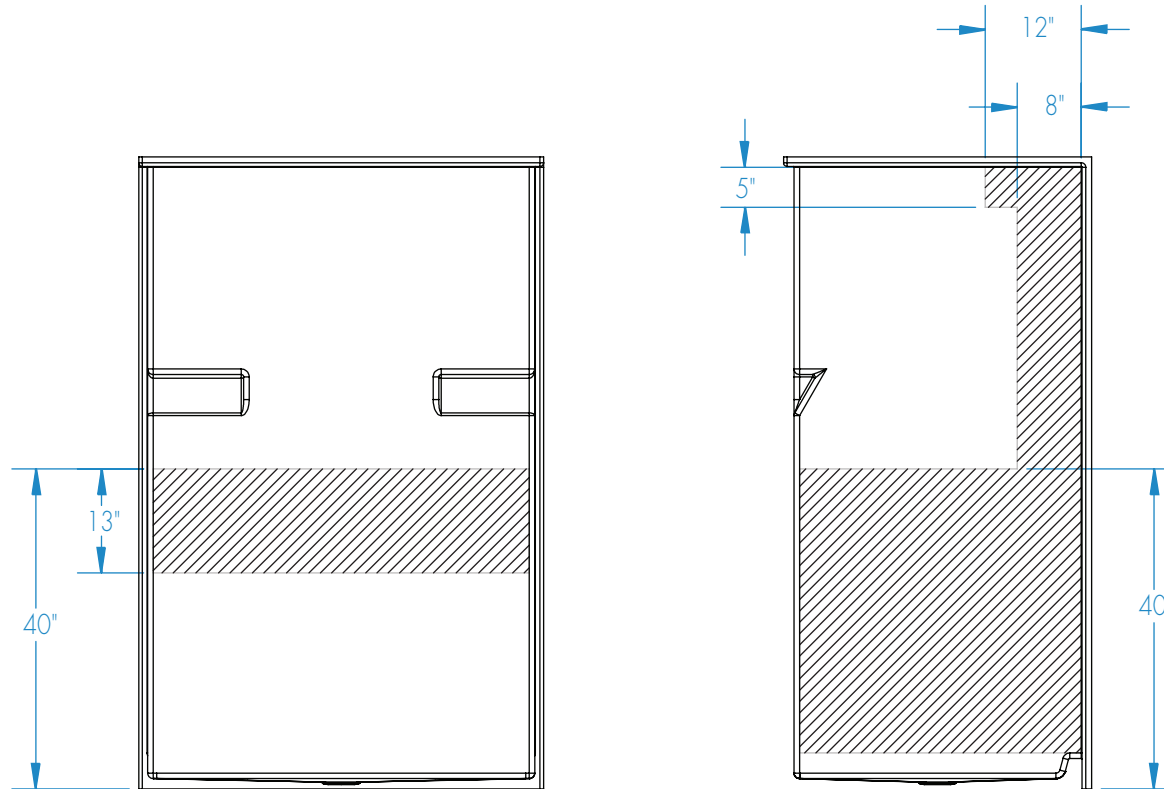
Type	D Depth	W Width	A	B	C
Alcove	38 1/2"	50 7/8"	Box Out	25 1/2"	19 1/4"

- Installation Options:**
 1. Install in a recessed pit for rough-in floor installation.
 2. Build sub-floor to level finished floor with top of shower threshold.



Shell tolerance: +0, - 3/8" All other tolerances: ± 1"

Reinforcement Locations (Standard)



BACK VIEW

SIDE VIEW (typ.)

 = GRAB BAR REINFORCEMENT