



Submittal Sheet

Aquatic products may be specified as Lasco Bathware.

16034BFSBTTR

ANSI compliant with Seat

CUSTOMER: _____
 JOB NAME: _____
 PO #: _____ QUOTE #: _____
 DATE: _____ QUANTITY: _____
 SHIP TO: _____

_____/_____/_____
 PLUMBING CONTRACTOR APPROVAL DATE
 _____/_____/_____
 GENERAL CONTRACTOR APPROVAL DATE
 _____/_____/_____
 ENGINEER APPROVAL DATE
 _____/_____/_____
 ARCHITECT APPROVAL DATE

CONFIGURATION (handed by seat location)

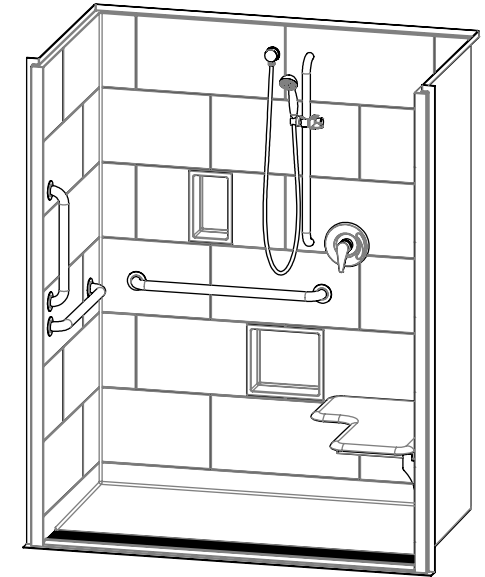
- Fully configured — ANSI
 Seat Location LH RH
 Includes one 24" x 1½" diameter stainless grab bar located on the side wall;
 One 30" x 1½" diameter stainless grab bar located on the back wall; One 18" x 1½"
 diameter vertical grab bar; white cushioned, L-shaped fold-up seat; pressure balancing
 mixing valve; hand-held shower assembly; and stainless steel grate. Grab bar, mixing
 valve and handheld shower installed adjacent to seat per ANSI guidelines.

CUSTOM OPTIONS (not avail. if ANSI configuration is selected)

- L-shaped fold-up seat LH RH
 Cushioned white Phenolic teak Phenolic white
 Grab bars:
 One 24" (side wall) and one 30" (back wall)
 Stainless steel (1½" dia.) LH RH
 Powder-coated white (1¼" dia.) LH RH
 Fixture Wall LH RH Back wall
 Hand-held shower assembly with 30" slide bar and 60" hose
 Pressure balancing mixing valve
 Grate:
 Stainless steel
 White

OPTIONAL ACCESSORIES (available for all models)

- Large soap dish (12½ W x 3½ D x 11½ H), shipped loose
 Small soap dish (7 W x 3½ D x 11½ H), shipped loose
 Curtain rod (Not ANSI compliant)
 Shower curtain
 Brass drain
 12" high 3-piece wall extension
 Colors:
 Standard White
 Upgraded Biscuit Bone
 Other (contact customer service for custom color options)
 Additional accessories: _____



STANDARD FEATURES

- Pre-leveled base
- AcrylX™ applied acrylic surface
- ½" skirt
- ½" COL exterior threshold
- Compliant when properly installed
- Center drain outlet
- Integral front trench drain
- Lifetime limited warranty
- 12" x 24" subway tile
- Slip resistant, textured bottom [ASTM F-462]
- Code compliant when fully equipped and installed according to guidelines

Int. Dim. 60 W x 34 D x 76 ¾ H
 Ext. Dim. 66 W x 36 ¼ D x 78 ¾ H
 Skirt Ht. ½ skirt, ½ COL exterior threshold
 Packaged Wt. 210 lbs.
 Material AcrylX™ applied acrylic
 Warranty AcrylX™ Finished Products — Lifetime Limited

inches

To complete your order, this document must be signed and faxed to the Aquatic Centralized Customer Service Center.

Fax (866) 544-5353 • Phone (800) 945-2726

For pricing of units and additional options, reference the Aquatic Price Book. • Please indicate custom changes on reverse side drawings.

Rev. 03.07.19

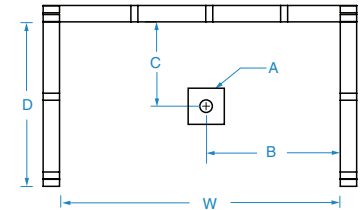


Submittal Sheet

Aquatic products may be specified as Lasco Bathware.

16034BFSBTTR

ANSI compliant with Seat
Please indicate changes needed.

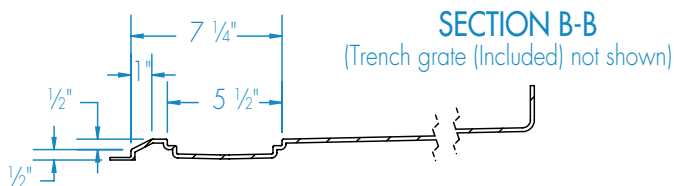
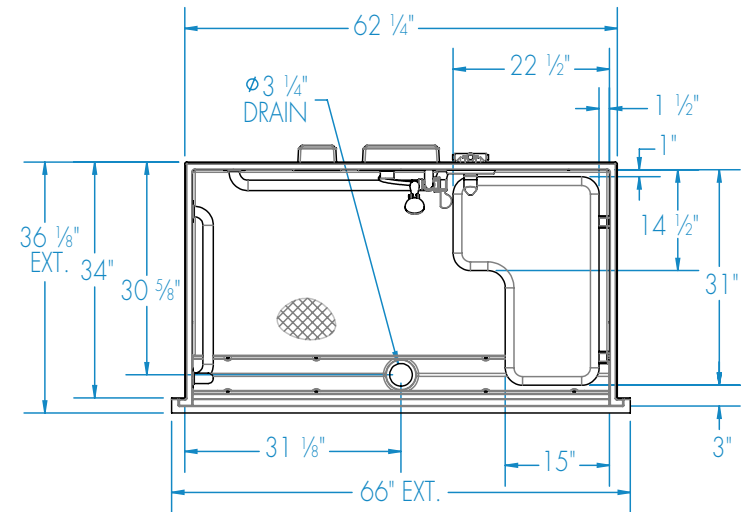
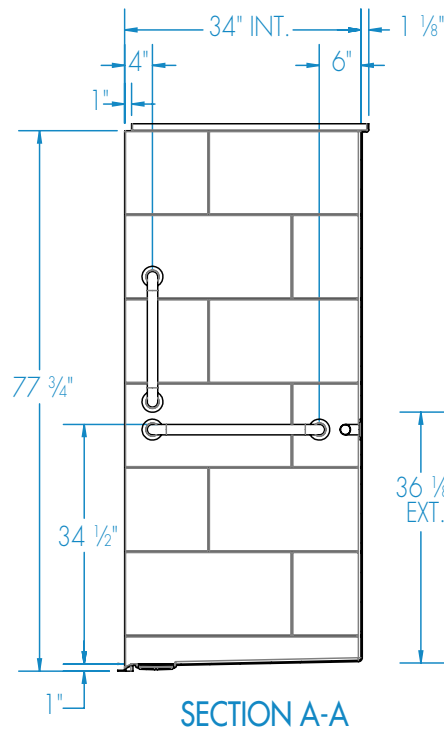
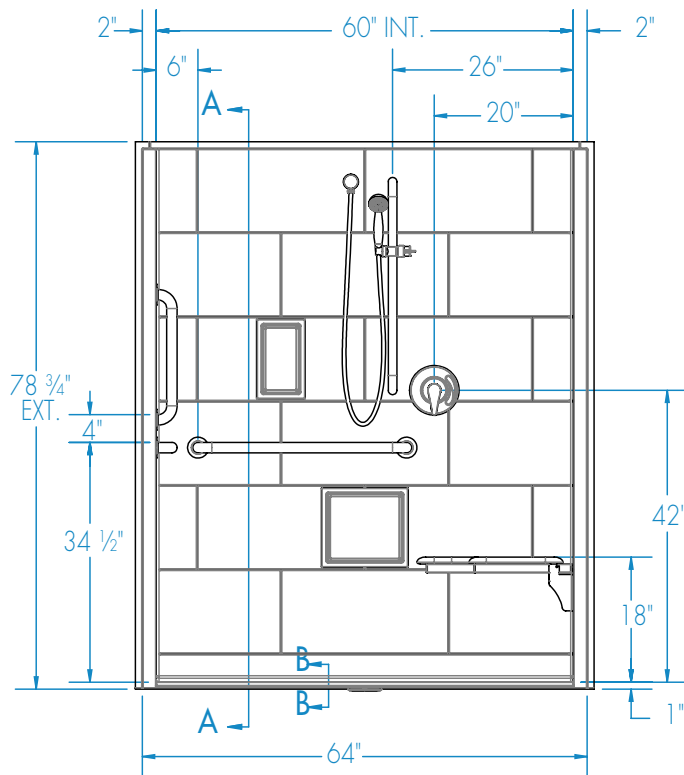


FRAMING DIMENSIONS inches (mm)

Type	D Depth	W Width	A	B	C
Alcove	34	62 1/4	Box Out	31 1/8	30 5/8

Installation Options:

1. Install in a recessed pit for rough-in floor installation.
2. Build sub-floor to level finished floor with top of shower threshold.



Shell tolerance: +0, - 3/8" All other tolerances: ± 1"

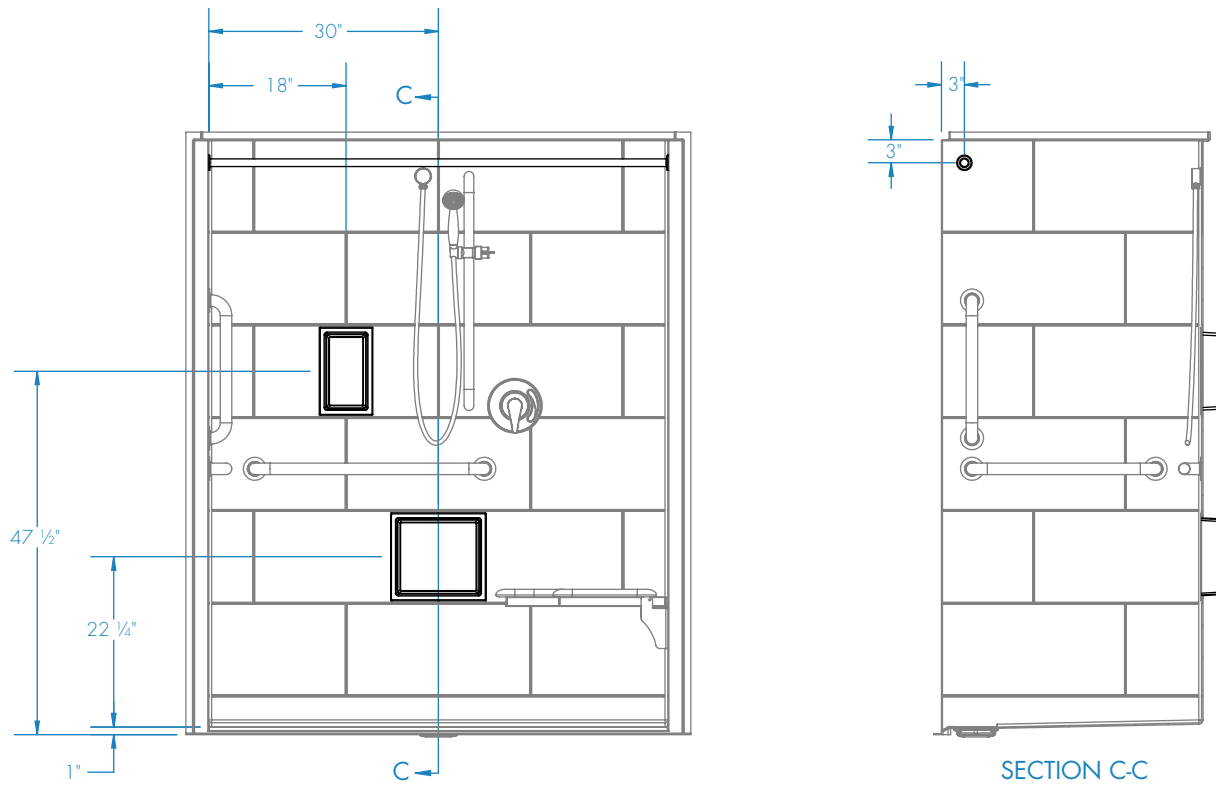


Submittal Sheet

Aquatic products may be specified as Lasco Bathware.

16034BFSBTTR ANSI compliant with Seat
Please indicate changes needed.

Curtain Rod and Soap Dish Locations (Standard Valve Configuration)



Shell tolerance: +0, - 3/8" All other tolerances: ±1"