



# Submittal Sheet

Aquatic products may be specified as Lasco Bathware.

# 16034BFSBTTR

ADA compliant without Seat

CUSTOMER: \_\_\_\_\_  
 JOB NAME: \_\_\_\_\_  
 PO #: \_\_\_\_\_ QUOTE #: \_\_\_\_\_  
 DATE: \_\_\_\_\_ QUANTITY: \_\_\_\_\_  
 SHIP TO: \_\_\_\_\_

\_\_\_\_\_/\_\_\_\_\_/\_\_\_\_\_  
 PLUMBING CONTRACTOR APPROVAL DATE  
 \_\_\_\_/\_\_\_\_/\_\_\_\_\_  
 GENERAL CONTRACTOR APPROVAL DATE  
 \_\_\_\_/\_\_\_\_/\_\_\_\_\_  
 ENGINEER APPROVAL DATE  
 \_\_\_\_/\_\_\_\_/\_\_\_\_\_  
 ARCHITECT APPROVAL DATE

### CONFIGURATION (handed by fixture wall)

- Shell reinforced for future accessory installation  
 Fixture wall  LH  RH  Back wall
- Optional vertical bar reinforcement (entry wall)  
 LH  RH  Both
- Fully configured without seat — ADA  
 Seat Location  LH  RH  
 Includes two 24" x 1½" diameter stainless grab bar located on the side walls; One 48" x 1½" diameter stainless grab bar located on the back wall; pressure balancing mixing valve; hand-held shower assembly; and stainless steel grate per ADA guidelines.

### CUSTOM OPTIONS (not available if ADA configuration is selected)

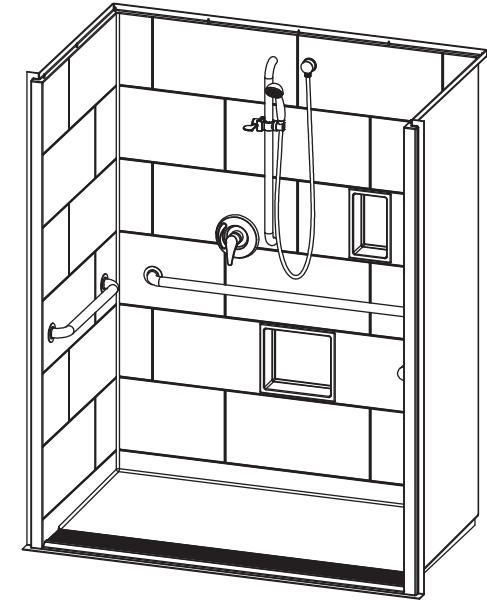
- Grab bars:  
 Two 24" (side walls) and one 48" (back wall)  
 Stainless steel (1½" dia.)  
 Powder-coated white (1¼" dia.)
- Fixture wall  LH  RH  Back wall  
 Hand-held shower assembly with 30" slide bar and 60" hose  
 Pressure balancing mixing valve
- Grate:  
 Stainless steel  
 White

### OPTIONAL ACCESSORIES (available for all models)

- Large soap dish (12½ W x 3½ D x 11½ H), shipped loose
- Small soap dish (7 W x 3½ D x 11½ H), shipped loose
- Curtain rod (Not ADA compliant)
- Shower curtain
- Brass drain
- 12" high 3-piece wall extension

#### Standard colors:

- Colors:  
 Standard  White  
 Upgraded  Biscuit  Bone  
 Other (contact customer service for custom color options)  
 Additional accessories:



### STANDARD FEATURES

- Pre-leveled base
- AcrylX™ applied acrylic surface
- ½" skirt
- ½" COL exterior threshold
- Compliant when properly installed
- Center drain outlet
- Integral front trench drain
- Lifetime Limited Warranty Residential Use/ 30-year Commercial Use
- 12" x 24" subway tile
- Slip resistant, textured bottom [ASTM F-462]
- Code compliant when fully equipped and installed according to guidelines

- Int. Dim. 60 W x 34 D x 76 ¾ H
- Ext. Dim. 66 W x 36 ¼ D x 78 ¾ H
- Skirt Ht. ½ skirt, ½ COL exterior threshold
- Packaged Wt. 210 lbs.
- Material AcrylX™ applied acrylic
- Warranty Lifetime Limited Residential Use/ 30-year Commercial Use\*

\* See terms and conditions for details inches

To complete your order, this document must be signed and faxed to the Aquatic Centralized Customer Service Center.

**Fax (866) 544-5353 • Phone (800) 945-2726**

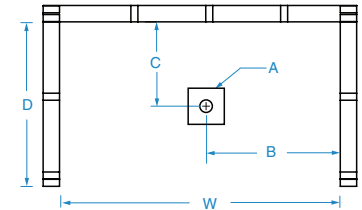


# Submittal Sheet

Aquatic products may be specified as Lasco Bathware.

## 16034BFSBTTR

ADA compliant without Seat  
Please indicate changes needed.

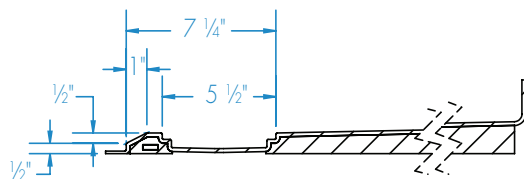
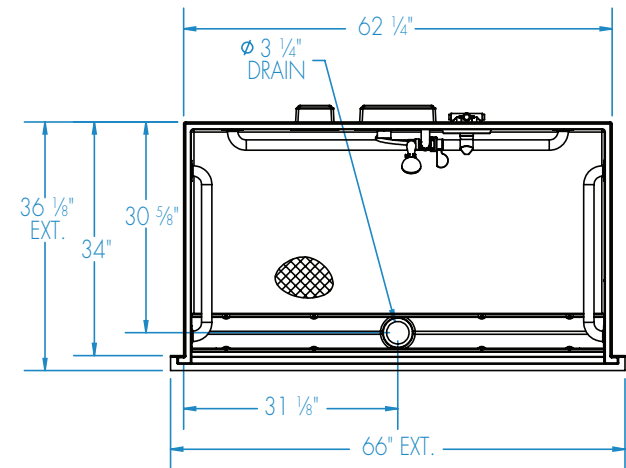
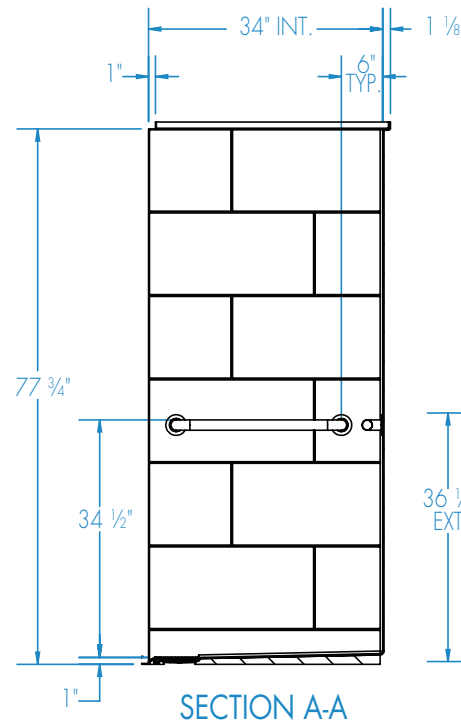
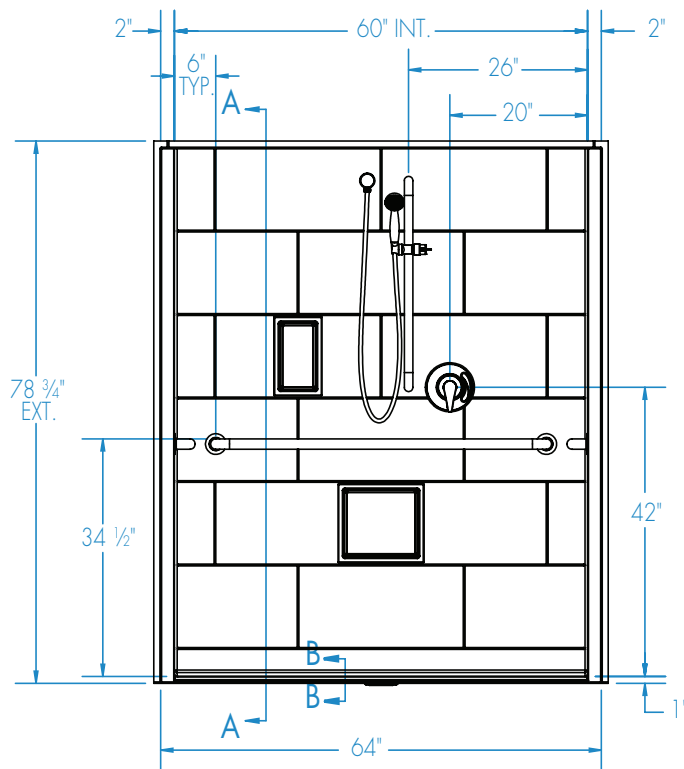


FRAMING DIMENSIONS inches (mm)

Type	D Depth	W Width	A	B	C
Alcove	34	62 ¼	Box Out	31 ½	30 ⅝

**Installation Options:**

1. Install in a recessed pit for rough-in floor installation.
2. Build sub-floor to level finished floor with top of shower threshold.



SECTION B-B  
trench grate (included), not shown

ADA/ANSI compliant when fully equipped and installed according to guidelines.

Shell tolerance: +0, - 3/8" All other tolerances: ± 1"



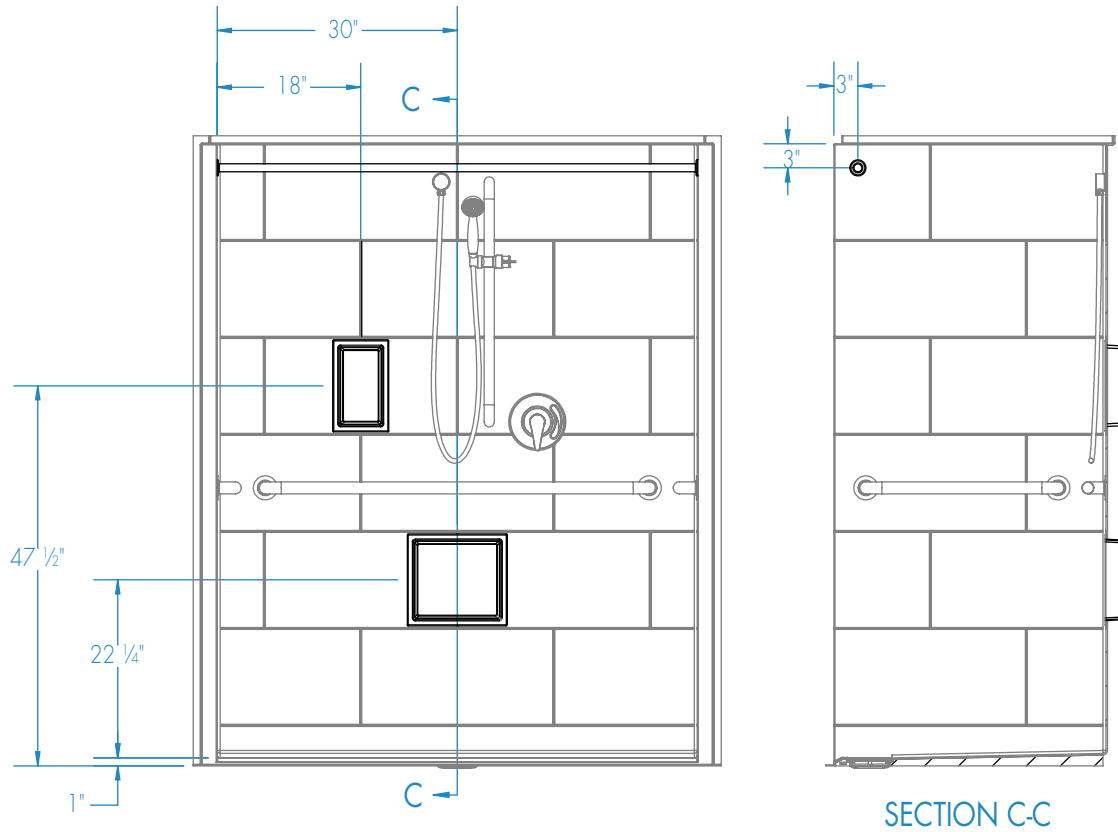
# Submittal Sheet

Aquatic products may be specified as Lasco Bathware.

## 16034BFSBTTR ADA compliant without Seat

Please indicate changes needed.

### Curtain Rod and Soap Dish Locations (Standard Valve Configuration)



Shell tolerance: +0, - 3/8" All other tolerances: ±1"