



Submittal Sheet

Aquatic products may be specified as Lasco Bathware.

16030BFSCTTR

ADA compliant without Seat

CUSTOMER: _____
 JOB NAME: _____
 PO #: _____ QUOTE #: _____
 DATE: _____ QUANTITY: _____
 SHIP TO: _____

_____/_____/_____
 PLUMBING CONTRACTOR APPROVAL DATE

_____/_____/_____
 GENERAL CONTRACTOR APPROVAL DATE

_____/_____/_____
 ENGINEER APPROVAL DATE

_____/_____/_____
 ARCHITECT APPROVAL DATE

CONFIGURATION (handed by fixture wall)

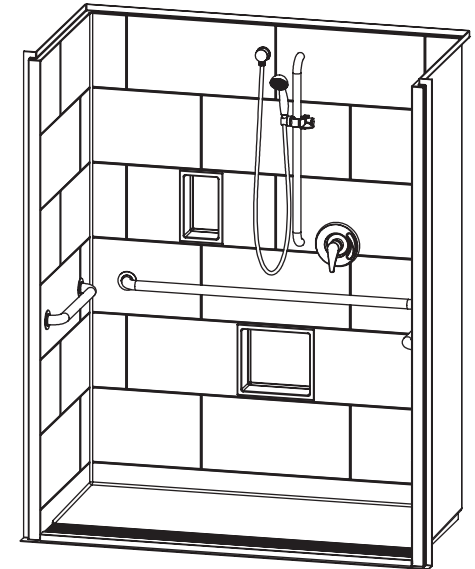
- Fully configured — ADA
 Seat Location LH RH
 Includes two 20" x 1½" diameter stainless grab bar located on the side walls;
 One 48" x 1½" diameter stainless grab bar located on the back wall; pressure
 balancing mixing valve; hand-held shower assembly; and stainless steel grate per
 ADA guidelines.

CUSTOM OPTIONS (not available if ADA configuration is selected)

- Grab bars:
 Two 20" (side walls) and one 48" (back wall)
 Stainless steel (1½" dia.)
 Powder-coated white (1¼" dia.)
 Fixture Wall LH RH Back wall
 Hand-held shower assembly with 30" slide bar and 60" hose
 Pressure balancing mixing valve
 Grate:
 Stainless steel
 White

OPTIONAL ACCESSORIES (available for all models)

- Large soap dish (12½ W x 3½ D x 11½ H), shipped loose
 Small soap dish (7 W x 3½ D x 11½ H), shipped loose
 Curtain rod (Not ADA compliant)
 Shower curtain
 Brass drain
 Colors:
 Standard White
 Upgraded Biscuit Bone
 Other (contact customer service for custom color options)
 Additional accessories:



STANDARD FEATURES

- Pre-leveled base
- AcrylX™ applied acrylic surface
- 1 ⅝" skirt
- Compliant when properly installed
- Center drain outlet
- Integral front trench drain
- Lifetime limited warranty
- 12" x 24" subway tile
- Slip resistant, textured bottom [ASTM F-462]
- Code compliant when fully equipped and installed according to guidelines

Int. Dim. 60 W x 30 D x 76 ¾ H
 Ext. Dim. 66 W x 32 ⅞ D x 78 ¾ H
 Skirt Ht. 1 ⅝ skirt
 Packaged Wt. 210 lbs.
 Material AcrylX™ applied acrylic
 Warranty AcrylX™ Finished Products — Lifetime Limited

inches

To complete your order, this document must be signed and faxed to the Aquatic Centralized Customer Service Center.

Fax (866) 544-5353 • Phone (800) 945-2726

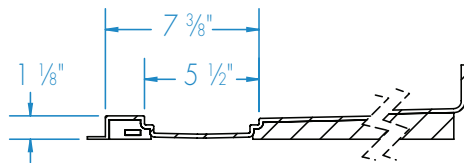
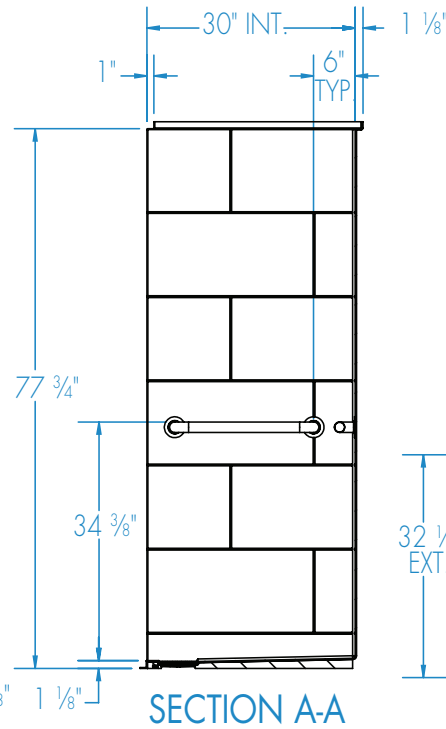
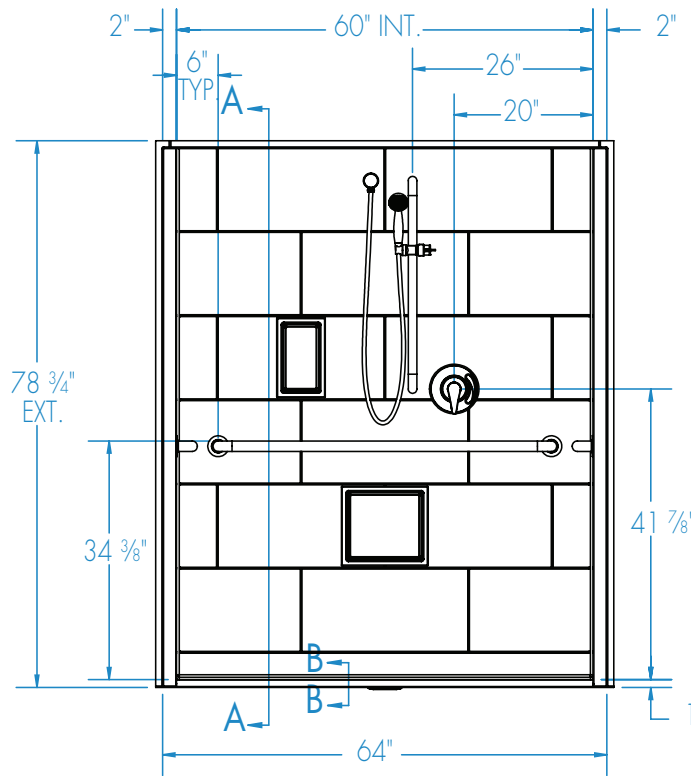


Submittal Sheet

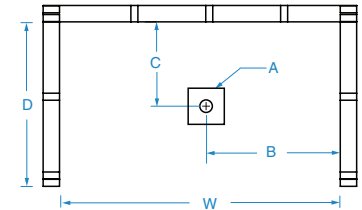
Aquatic products may be specified as Lasco Bathware.

16030BFSCTTR ADA compliant without Seat

Please indicate changes needed.



SECTION B-B
Trench grate (Included) not shown

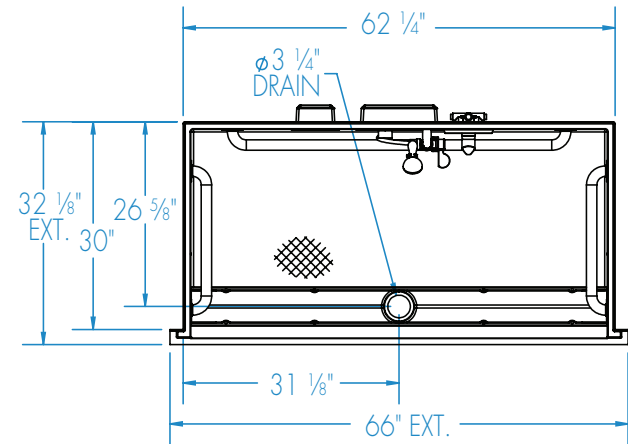


FRAMING DIMENSIONS inches (mm)

Type	D Depth	W Width	A	B	C
Alcove	30	62 1/4	Box Out	31 1/8	26 5/8

Installation Options:

1. Install in a recessed pit for rough-in floor installation.
2. Build sub-floor to level finished floor with top of shower threshold.



ADA/ANSI compliant when fully equipped and installed according to guidelines.

Rev. 05.11.16

Shell tolerance: +0, - 3/8" All other tolerances: ± 1"

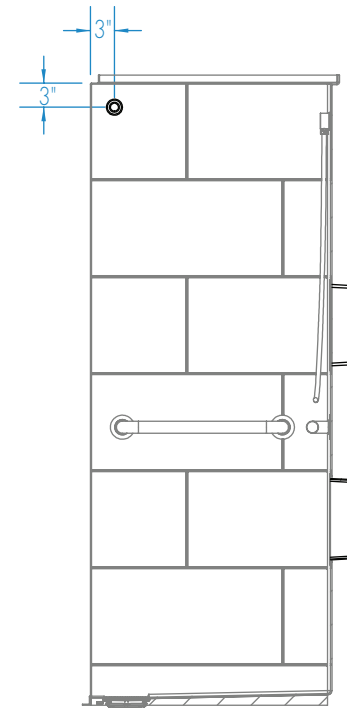
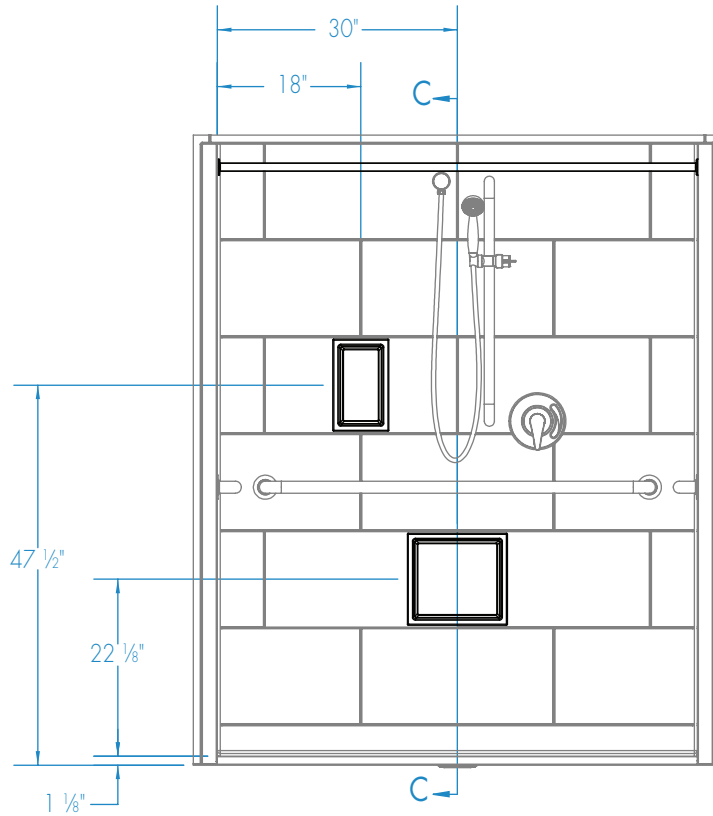


Submittal Sheet

Aquatic products may be specified as Lasco Bathware.

16030BFSCCTR ADA compliant without Seat
Please indicate changes needed.

Curtain Rod and Soap Dish Locations (Standard Valve Configuration)



SECTION C-C

Shell tolerance: +0, - 3/8" All other tolerances: ±1"