



# Submittal Sheet

Aquatic products may be specified as Lasco Bathware.

# 16030BFSBTTR

ANSI compliant with Seat

CUSTOMER: \_\_\_\_\_  
 JOB NAME: \_\_\_\_\_  
 PO #: \_\_\_\_\_ QUOTE #: \_\_\_\_\_  
 DATE: \_\_\_\_\_ QUANTITY: \_\_\_\_\_  
 SHIP TO: \_\_\_\_\_

\_\_\_\_\_/\_\_\_\_\_/\_\_\_\_\_  
 PLUMBING CONTRACTOR APPROVAL DATE

\_\_\_\_\_/\_\_\_\_\_/\_\_\_\_\_  
 GENERAL CONTRACTOR APPROVAL DATE

\_\_\_\_\_/\_\_\_\_\_/\_\_\_\_\_  
 ENGINEER APPROVAL DATE

\_\_\_\_\_/\_\_\_\_\_/\_\_\_\_\_  
 ARCHITECT APPROVAL DATE

### CONFIGURATION (handed by seat location)

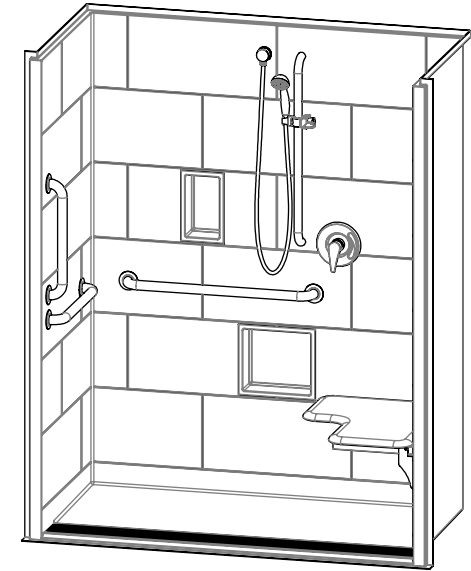
- Fully configured — ANSI  
 Seat Location  LH  RH  
 Includes one 20" x 1½" diameter stainless grab bar located on the side wall; One 30" x 1½" diameter stainless grab bar located on the back wall; One 18" x 1½" diameter vertical grab bar; white cushioned, L-shaped fold-up seat; pressure balancing mixing valve; hand-held shower assembly; and stainless steel grate. Grab bar, mixing valve and handheld shower installed adjacent to seat per ANSI guidelines.

### CUSTOM OPTIONS (not avail. if ANSI configuration is selected)

- L-shaped fold-up seat  LH  RH  
 Cushioned white  Phenolic teak  Phenolic white
- Grab bars:  
 One 20" (side wall) and one 30" (back wall)  
 Stainless steel (1½" dia.)  LH  RH  
 Powder-coated white (1¼" dia.)  LH  RH
- Fixture Wall  LH  RH  Back wall  
 Hand-held shower assembly with 30" slide bar and 60" hose  
 Pressure balancing mixing valve
- Grate:  
 Stainless steel  
 White

### OPTIONAL ACCESSORIES (available for all models)

- Large soap dish (12½ W x 3½ D x 11½ H), shipped loose  
 Small soap dish (7 W x 3½ D x 11½ H), shipped loose  
 Curtain rod (Not ANSI compliant)  
 Shower curtain  
 Brass drain
- Colors:  
 Standard  White  
 Upgraded  Biscuit  Bone  
 Other (contact customer service for custom color options)
- Additional accessories:



### STANDARD FEATURES

- Pre-leveled base
- AcrylX™ applied acrylic surface
- ½" skirt
- ½" COL exterior threshold
- Compliant when properly installed
- Center drain outlet
- Integral front trench drain
- Lifetime limited warranty
- 12" x 24" subway tile
- Slip resistant, textured bottom [ASTM F-462]
- Code compliant when fully equipped and installed according to guidelines

Int. Dim. 60 W x 30 D x 76 ¾ H  
 Ext. Dim. 66 W x 32 ½ D x 78 ¾ H  
 Skirt Ht. ½ skirt, ½ COL exterior threshold  
 Packaged Wt. 210 lbs.  
 Material AcrylX™ applied acrylic  
 Warranty AcrylX™ Finished Products — Lifetime Limited

inches

To complete your order, this document must be signed and faxed to the Aquatic Centralized Customer Service Center.

**Fax (866) 544-5353 • Phone (800) 945-2726**

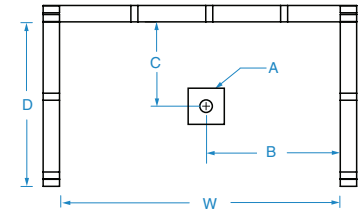


# Submittal Sheet

Aquatic products may be specified as Lasco Bathware.

# 16030BFSBTTR ANSI compliant with Seat

Please indicate changes needed.

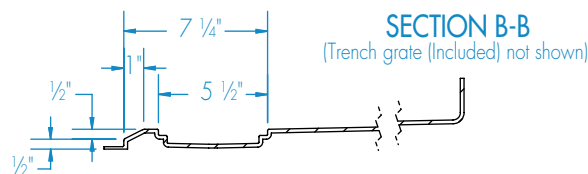
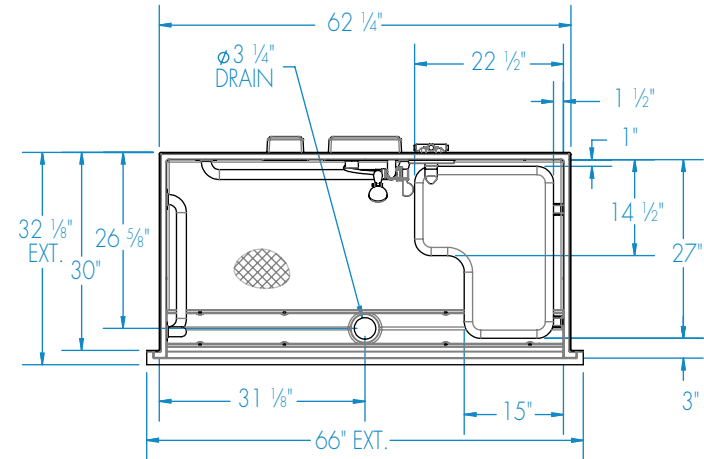
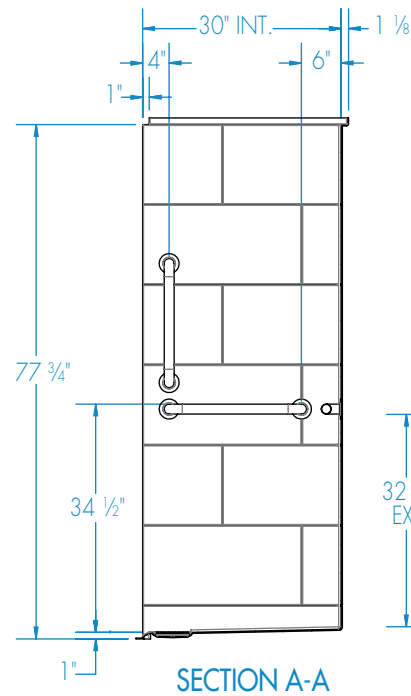
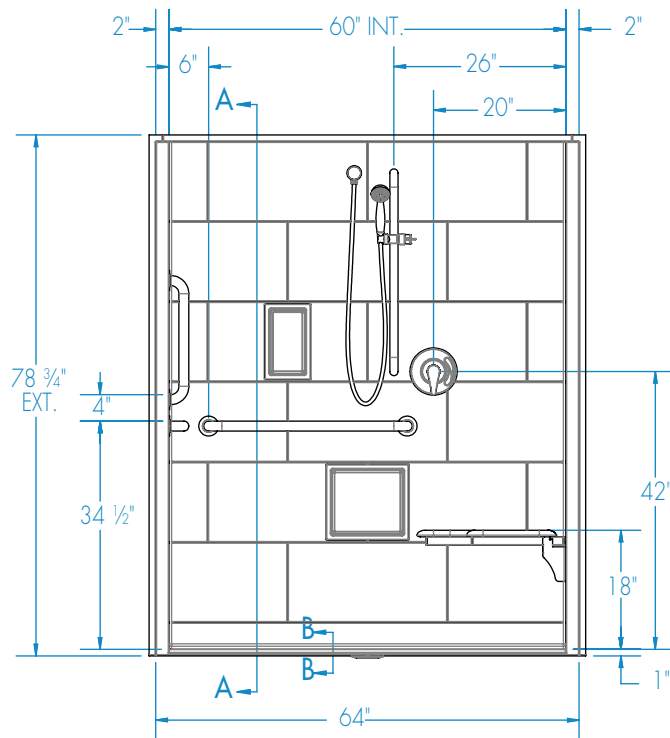


FRAMING DIMENSIONS inches (mm)

Type	D Depth	W Width	A	B	C
Alcove	30	62 1/4	Box Out	31 1/8	26 5/8

**Installation Options:**

1. Install in a recessed pit for rough-in floor installation.
2. Build sub-floor to level finished floor with top of shower threshold.



Shell tolerance: +0, -3/8" All other tolerances: ±1"

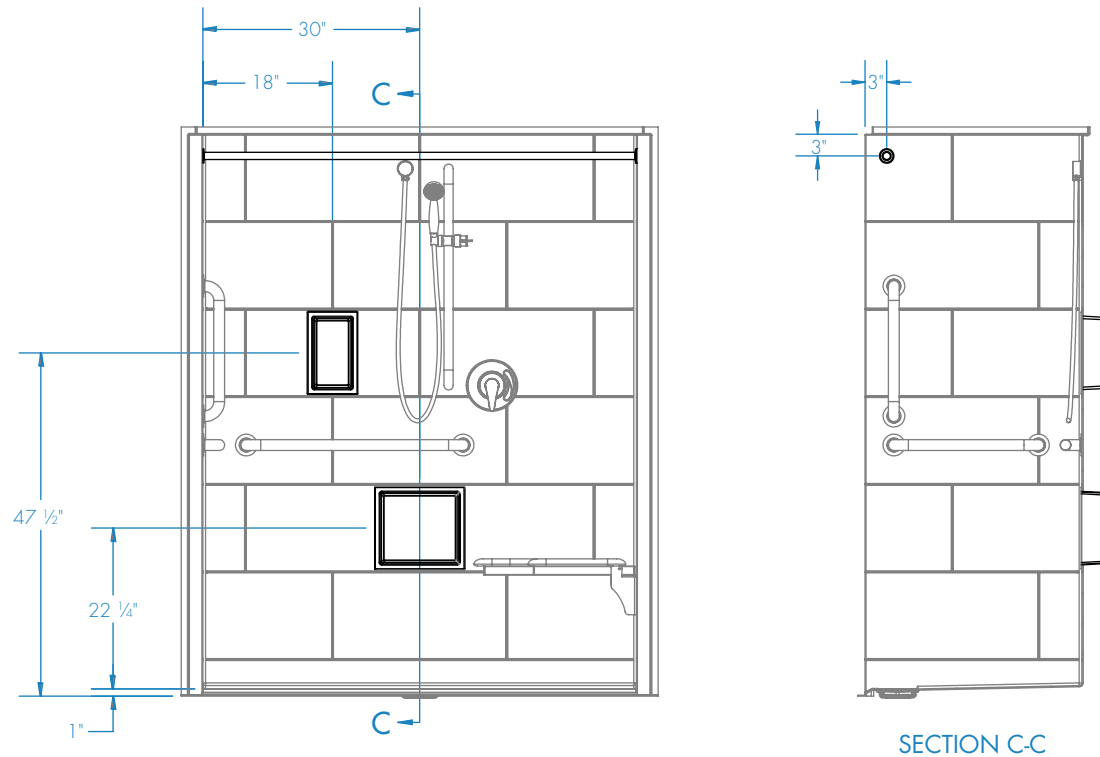


# Submittal Sheet

Aquatic products may be specified as Lasco Bathware.

**16030BFSBTTR** ANSI compliant with Seat  
Please indicate changes needed.

Curtain Rod and Soap Dish Locations (Standard Valve Configuration)



Shell tolerance: +0, - 3/8" All other tolerances: ±1"