



Submittal Sheet

Aquatic products may be specified as Lasco Bathware.

16030BFSBTTR

ADA compliant with Seat

CUSTOMER: _____
 JOB NAME: _____
 PO #: _____ QUOTE #: _____
 DATE: _____ QUANTITY: _____
 SHIP TO: _____

_____/_____/_____
 PLUMBING CONTRACTOR APPROVAL DATE

_____/_____/_____
 GENERAL CONTRACTOR APPROVAL DATE

_____/_____/_____
 ENGINEER APPROVAL DATE

_____/_____/_____
 ARCHITECT APPROVAL DATE

CONFIGURATION (handed by seat location)

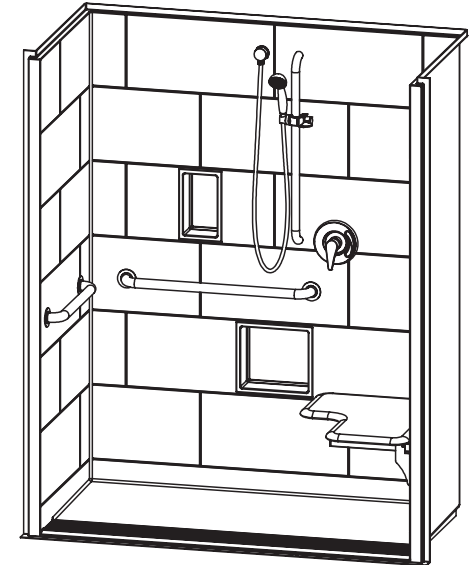
- Fully configured — ADA
 Seat Location LH RH
 Includes one 20" x 1½" diameter stainless grab bar located on the side wall; One 30" x 1½" diameter stainless grab bar located on the back wall; white cushioned, L-shaped fold-up seat; pressure balancing mixing valve; hand-held shower assembly; and stainless steel grate. Grab bar, mixing valve and handheld shower installed adjacent to seat per ADA guidelines.

CUSTOM OPTIONS (not avail. if ADA configuration is selected)

- L-shaped fold-up seat LH RH
 Cushioned white Phenolic teak Phenolic white
- Grab bars:
 One 20" (side wall) and one 30" (back wall)
 Stainless steel (1½" dia.) LH RH
 Powder-coated white (1¼" dia.) LH RH
- Fixture Wall LH RH Back wall
 Hand-held shower assembly with 30" slide bar and 60" hose
 Pressure balancing mixing valve
- Grate:
 Stainless steel
 White

OPTIONAL ACCESSORIES (available for all models)

- Large soap dish (12½ W x 3½ D x 11½ H), shipped loose
 Small soap dish (7 W x 3½ D x 11½ H), shipped loose
 Curtain rod (Not ADA compliant)
 Shower curtain
 Brass drain
- Colors:
 Standard White
 Upgraded Biscuit Bone
 Other (contact customer service for custom color options)
- Additional accessories:



STANDARD FEATURES

- Pre-leveled base
- AcrylX™ applied acrylic surface
- ½" skirt
- ½" COL exterior threshold
- Compliant when properly installed
- Center drain outlet
- Integral front trench drain
- Lifetime limited warranty
- 12" x 24" subway tile
- Slip resistant, textured bottom [ASTM F-462]
- Code compliant when fully equipped and installed according to guidelines

Int. Dim. 60 W x 30 D x 76 ¾ H
 Ext. Dim. 66 W x 32 ½ D x 78 ¾ H
 Skirt Ht. ½ skirt, ½ COL exterior threshold
 Packaged Wt. 210 lbs.
 Material AcrylX™ applied acrylic
 Warranty AcrylX™ Finished Products — Lifetime Limited

inches

To complete your order, this document must be signed and faxed to the Aquatic Centralized Customer Service Center.

Fax (866) 544-5353 • Phone (800) 945-2726

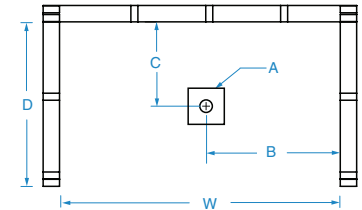


Submittal Sheet

Aquatic products may be specified as Lasco Bathware.

16030BFSBTTR

ADA compliant with Seat
Please indicate changes needed.

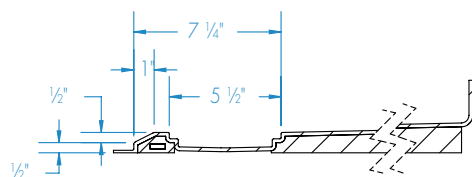
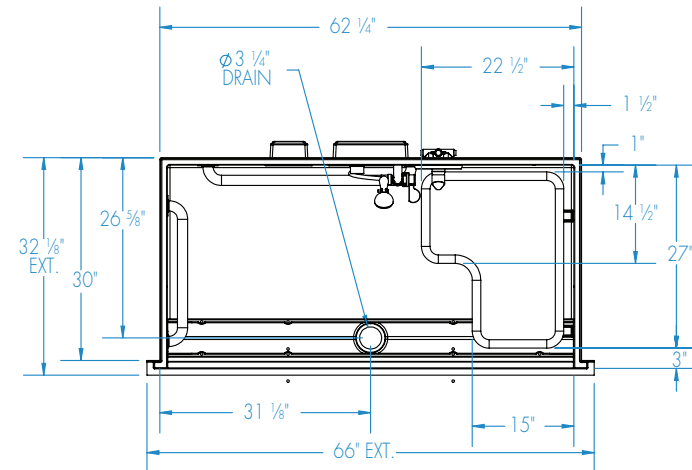
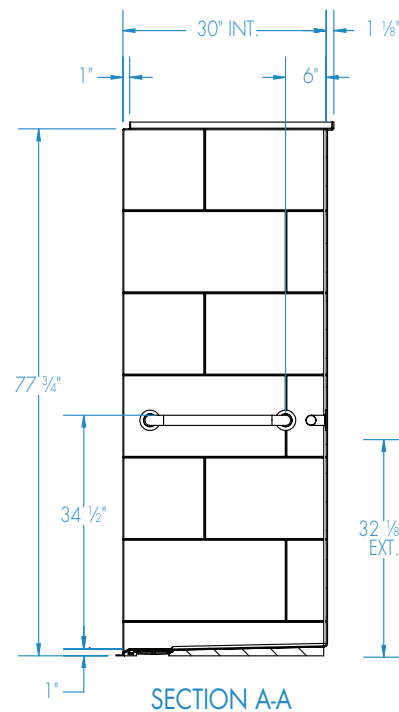
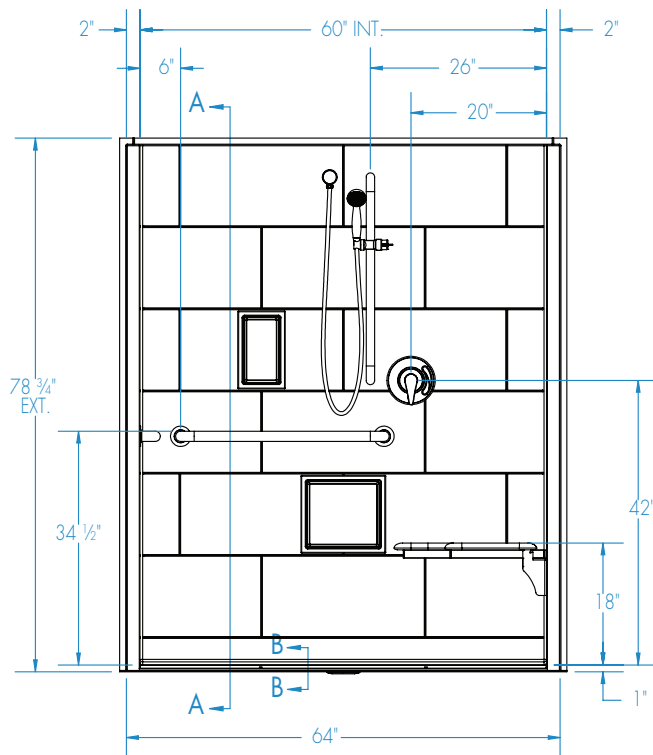


FRAMING DIMENSIONS inches (mm)

Type	D Depth	W Width	A	B	C
Alcove	30	62 1/4	Box Out	31 1/8	26 5/8

Installation Options:

1. Install in a recessed pit for rough-in floor installation.
2. Build sub-floor to level finished floor with top of shower threshold.



SECTION B-B
Trench grate (Included) not shown

ADA/ANSI compliant when fully equipped and installed according to guidelines.

Shell tolerance: +0, - 3/8" All other tolerances: ± 1"

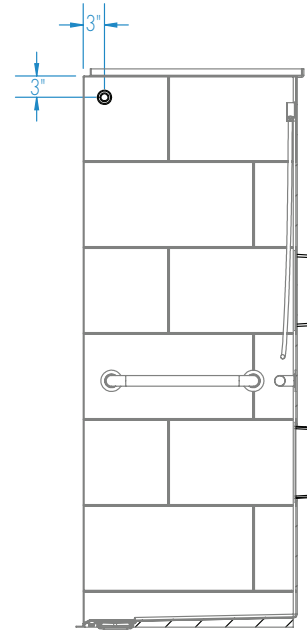
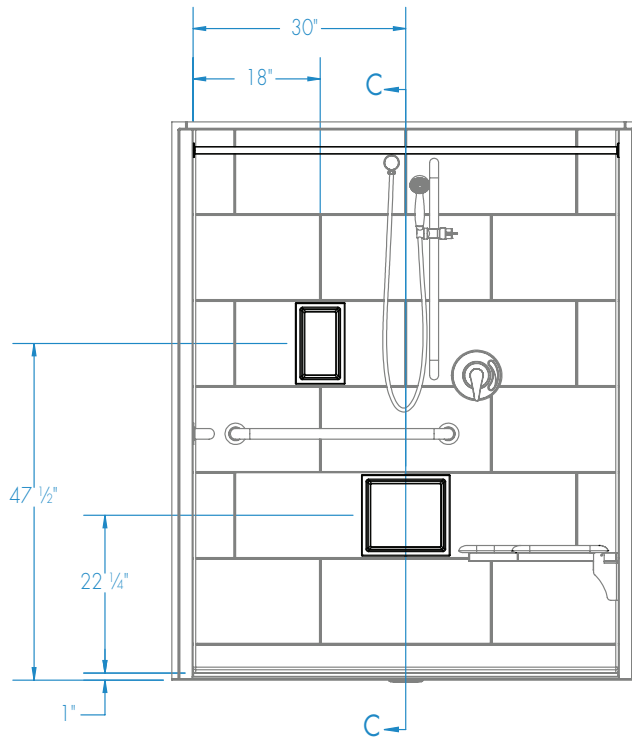


Submittal Sheet

Aquatic products may be specified as Lasco Bathware.

16030BFSBTTR ADA compliant with Seat
Please indicate changes needed.

Curtain Rod and Soap Dish Locations (Standard Valve Configuration)



SECTION C-C

Shell tolerance: +0, - 3/8" All other tolerances: ± 1"