



Submittal Sheet

Aquatic products may be specified as Lasco Bathware.

14836BFSBTTR

without Seat

CUSTOMER: _____

JOB NAME: _____

PO #: _____ QUOTE #: _____

DATE: _____ QUANTITY: _____

SHIP TO: _____

_____/_____/_____
PLUMBING CONTRACTOR APPROVAL DATE

_____/_____/_____
GENERAL CONTRACTOR APPROVAL DATE

_____/_____/_____
ENGINEER APPROVAL DATE

_____/_____/_____
ARCHITECT APPROVAL DATE

CONFIGURATION (handed by fixture wall)

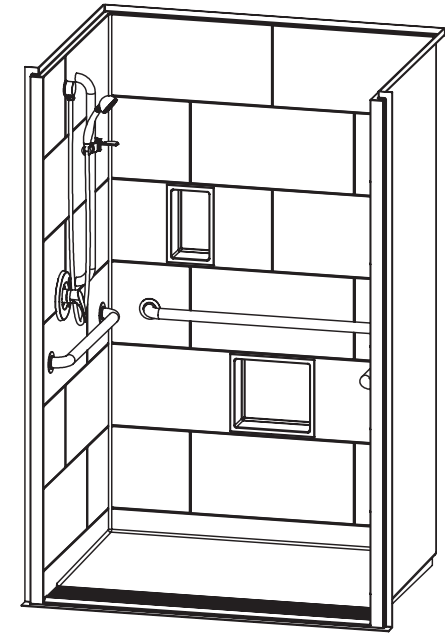
- Shell reinforced for future accessory installation
 - Fixture wall LH RH Back wall
 - Optional vertical bar reinforcement (entry wall)
 - LH RH Both
- Fully configured without seat
 - Seat Location LH RH
 Includes two 28" x 1½" diameter stainless grab bar located on the side walls; one 36" x 1½" diameter stainless grab bar located on the back wall; pressure balancing mixing valve; hand-held shower assembly; and stainless steel grate.

CUSTOM OPTIONS

- Grab bars:
Two 28" (side walls) and one 36" (back wall)
- Stainless steel (1½" dia.)
 - Powder-coated white (1¼" dia.)
- Fixture Wall LH RH Back wall
- Hand-held shower assembly with 30" slide bar and 60" hose
 - Pressure balancing mixing valve
- Fixture wall LH RH Back wall
- Grate:
- Stainless steel
 - White

OPTIONAL ACCESSORIES (available for all models)

- Large soap dish (12½ W x 3½ D x 11½ H), shipped loose
 - Small soap dish (7 W x 3½ D x 11½ H), shipped loose
 - Curtain rod
 - Shower curtain
 - Brass drain
- Colors:
- Standard White
 - Upgraded Biscuit Bone
 - Other (contact customer service for custom color options)
- Additional accessories:



STANDARD FEATURES

- Pre-leveled base
- AcrylX™ applied acrylic surface
- ½" skirt
- ½" COL exterior threshold
- Compliant when properly installed
- Center drain outlet
- Integral front trench drain
- Lifetime Limited Warranty Residential Use/ 30-year Commercial Use
- 12" x 24" subway tile
- Slip resistant, textured bottom [ASTM F-462]
- Code compliant when fully equipped and installed according to guidelines

- Int. Dim. 48 W x 36 D x 76 ¾ H
- Ext. Dim. 54 W x 38 ½ D x 78 ¾ H
- Skirt Ht. ½ skirt, ½ COL exterior threshold
- Packaged Wt. 170 lbs.
- Material AcrylX™ applied acrylic
- Warranty Lifetime Limited Residential Use/ 30-year Commercial Use*

* See terms and conditions for details inches

To complete your order, this document must be signed and faxed to the Aquatic Centralized Customer Service Center.

Fax (866) 544-5353 • Phone (800) 945-2726

For pricing of units and additional options, reference the Aquatic Price Book. • Please indicate custom changes on reverse side drawings.

Rev. 03.07.19

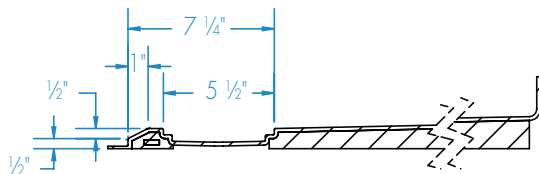
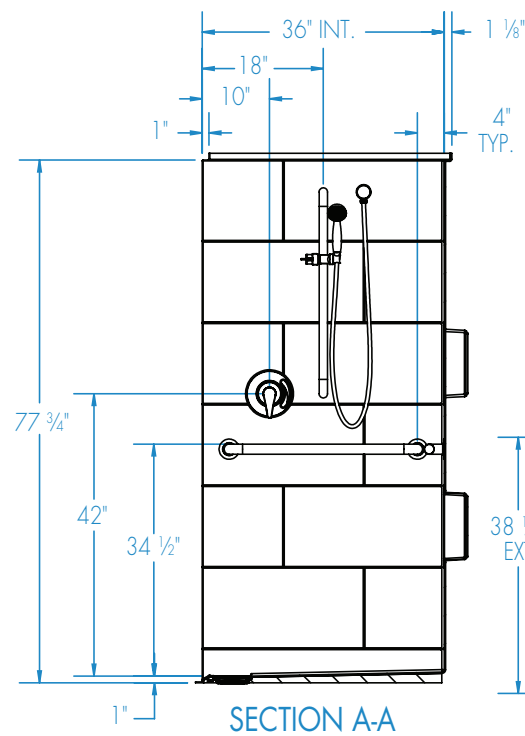
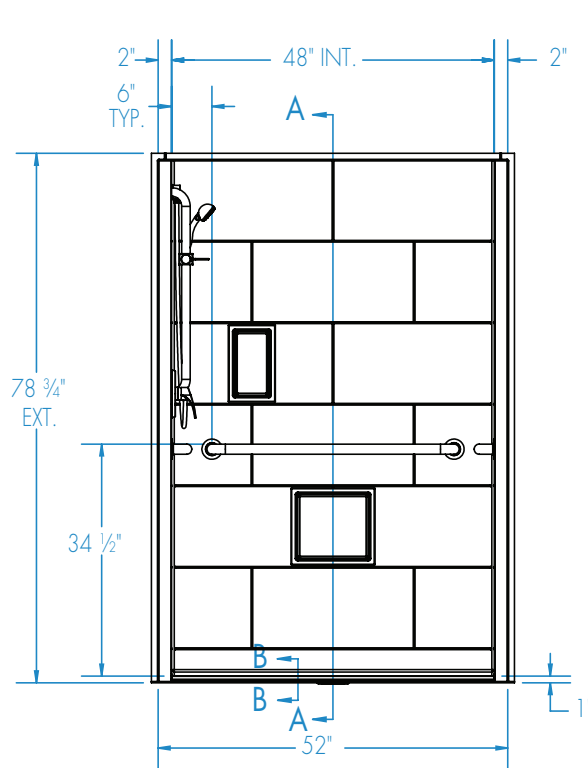


Submittal Sheet

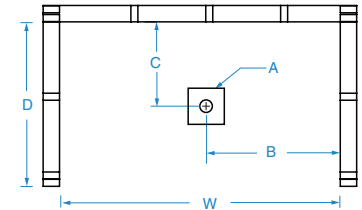
Aquatic products may be specified as Lasco Bathware.

14836BFSBTTR without Seat

Please indicate changes needed.



SECTION B-B
trench grate (included), not shown

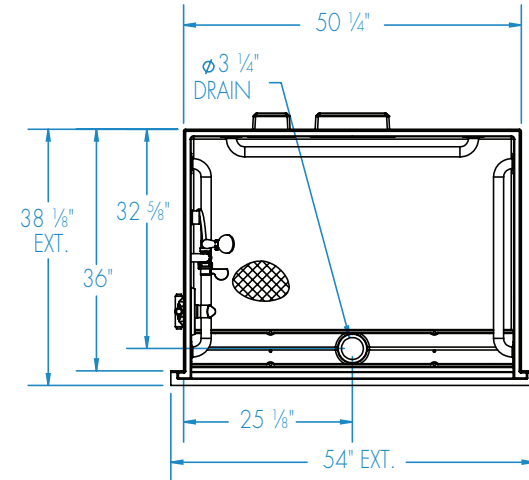


FRAMING DIMENSIONS inches (mm)

Type	D Depth	W Width	A	B	C
Alcove	36	50 1/4	Box Out	25 1/8	32 5/8

Installation Options:

1. Install in a recessed pit for rough-in floor installation.
2. Build sub-floor to level finished floor with top of shower threshold.



Shell tolerance: +0, - 3/8" All other tolerances: ± 1"



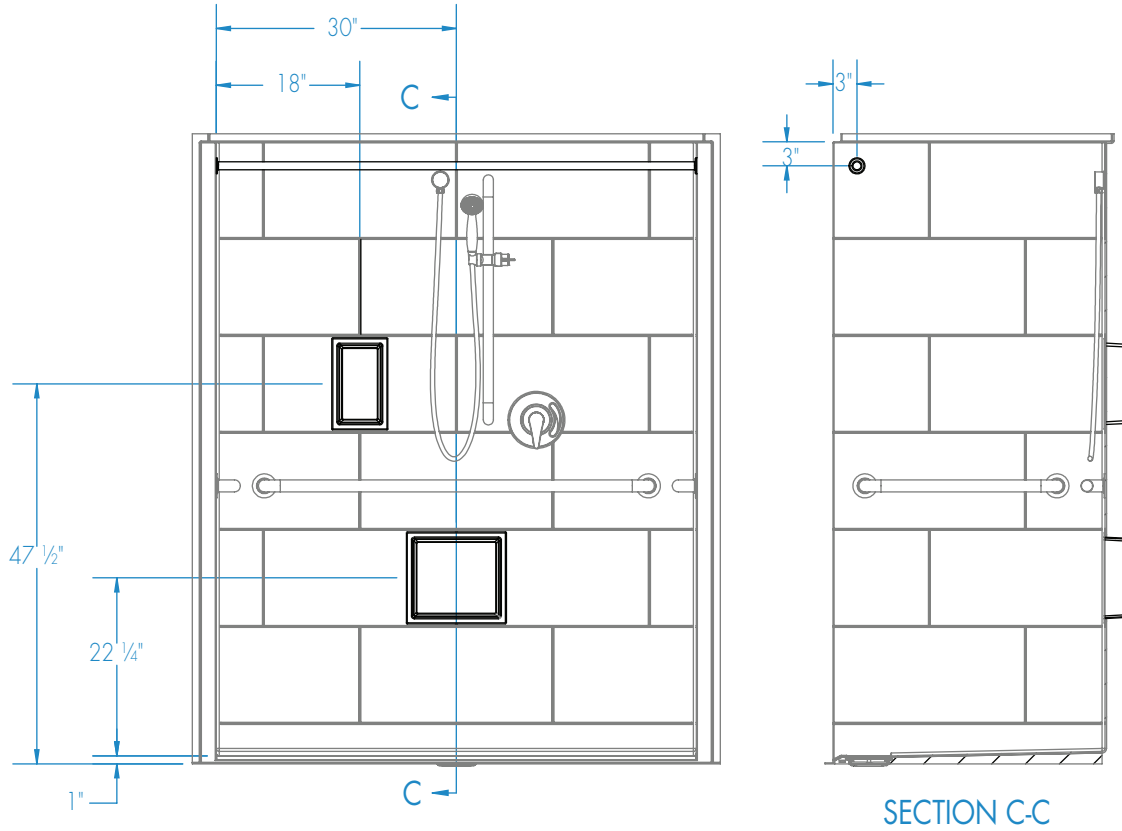
Submittal Sheet

Aquatic products may be specified as Lasco Bathware.

14836BFSBTTR without Seat

Please indicate changes needed.

Curtain Rod and Soap Dish Locations (Standard Valve Configuration)



Shell tolerance: +0, - 3/8" All other tolerances: ±1"