



# Submittal Sheet

Aquatic products may be specified as Lasco Bathware.

# 14836BFSBTTR

ANSI Type B Compliant with Seat

CUSTOMER: \_\_\_\_\_  
 JOB NAME: \_\_\_\_\_  
 PO #: \_\_\_\_\_ QUOTE #: \_\_\_\_\_  
 DATE: \_\_\_\_\_ QUANTITY: \_\_\_\_\_  
 SHIP TO: \_\_\_\_\_

\_\_\_\_\_/\_\_\_\_\_/\_\_\_\_\_  
 PLUMBING CONTRACTOR APPROVAL DATE

\_\_\_\_\_/\_\_\_\_\_/\_\_\_\_\_  
 GENERAL CONTRACTOR APPROVAL DATE

\_\_\_\_\_/\_\_\_\_\_/\_\_\_\_\_  
 ENGINEER APPROVAL DATE

\_\_\_\_\_/\_\_\_\_\_/\_\_\_\_\_  
 ARCHITECT APPROVAL DATE

### CONFIGURATION (handed by seat location)

- Shell reinforced for future accessory installation
  - Seat Wall  LH  RH
  - Optional vertical bar reinforcement (entry wall)
    - LH  RH  Both
- Fully configured with seat — ANSI Type B
  - Seat Location  LH  RH

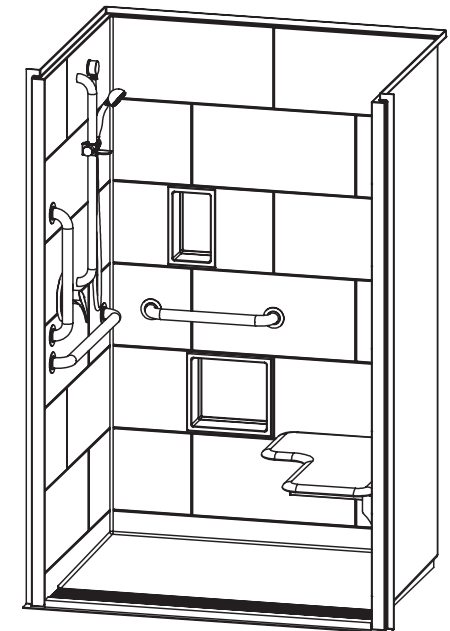
Includes one 28" x 1½" diameter stainless grab bar located on the side wall; One 18" x 1½" diameter stainless grab bar located on the back wall; white cushioned, L-shaped fold-up seat; pressure balancing mixing valve; hand-held shower assembly; and stainless steel grate. Grab bar, mixing valve and handheld shower installed opposite seat per ANSI guidelines.

### CUSTOM OPTIONS (not avail. if ANSI configuration is selected)

- L-shaped fold-up seat  LH  RH
  - Cushioned white  Phenolic teak  Phenolic white
- Grab bars:
- One 28" (side wall) and one 18" (back wall)
    - Stainless steel (1½" dia.)  LH  RH
    - Powder-coated white (1¼" dia.)  LH  RH
  - Fixture Wall  LH  RH  Back wall
  - Hand-held shower assembly with 30" slide bar and 60" hose
  - Pressure balancing mixing valve
- Grate:
- Stainless steel
  - White

### OPTIONAL ACCESSORIES (available for all models)

- Large soap dish (12½ W x 3½ D x 11½ H), shipped loose
  - Small soap dish (7 W x 3½ D x 11½ H), shipped loose
  - Curtain rod (Not ANSI compliant)
  - Shower curtain
  - Brass drain
- Colors:
- Standard  White
  - Upgraded  Biscuit  Bone
  - Other (contact customer service for custom color options)
- Additional accessories: \_\_\_\_\_



### STANDARD FEATURES

- Pre-leveled base
- AcrylX™ applied acrylic surface
- ½" skirt
- ½" COL exterior threshold
- Compliant when properly installed
- Center drain outlet
- Integral front trench drain
- Lifetime limited warranty
- 12" x 24" subway tile
- Slip resistant, textured bottom [ASTM F-462]
- Code compliant when fully equipped and installed according to guidelines

- Int. Dim. 48 W x 36 D x 76 ¾ H
- Ext. Dim. 54 W x 38 ½ D x 78 ¾ H
- Skirt Ht. ½ skirt, ½ COL exterior threshold
- Packaged Wt. 170 lbs.
- Material AcrylX™ applied acrylic
- Warranty AcrylX™ Finished Products — Lifetime Limited

inches

To complete your order, this document must be signed and faxed to the Aquatic Centralized Customer Service Center.

**Fax (866) 544-5353 • Phone (800) 945-2726**

For pricing of units and additional options, reference the Aquatic Price Book. • Please indicate custom changes on reverse side drawings.

Rev. 03.07.19

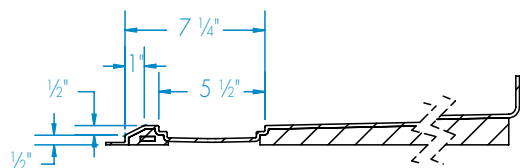
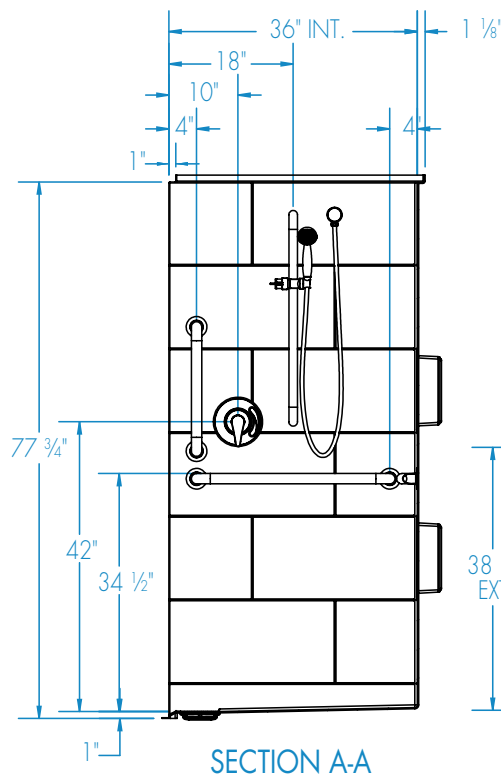
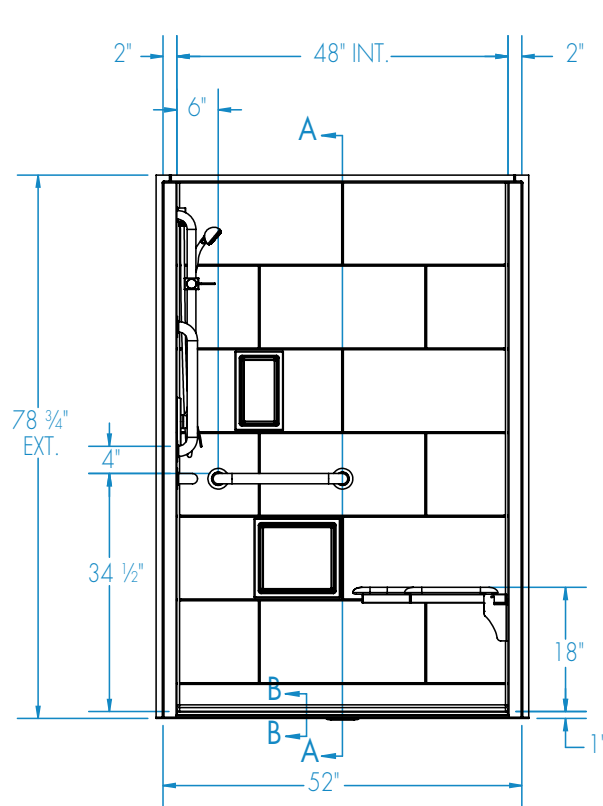


# Submittal Sheet

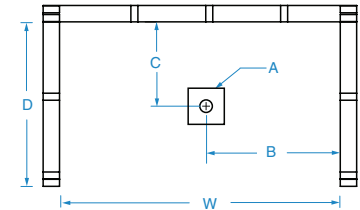
Aquatic products may be specified as Lasco Bathware.

# 14836BFSBTTR ANSI Type B Compliant with Seat

Please indicate changes needed.



**SECTION B-B**  
Integral Pre-leveled Base  
trench grate (included), not shown

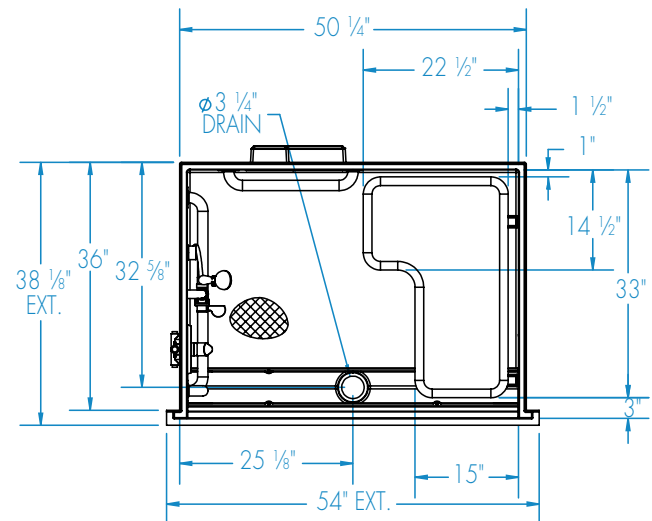


**FRAMING DIMENSIONS** inches (mm)

| Type   | D<br>Depth | W<br>Width | A<br>Box Out | B      | C      |
|--------|------------|------------|--------------|--------|--------|
| Alcove | 36         | 50 1/4     | Box Out      | 25 1/8 | 32 5/8 |

**Installation Options:**

1. Install in a recessed pit for rough-in floor installation.
2. Build sub-floor to level finished floor with top of shower threshold.



Shell tolerance: +0, -3/8" All other tolerances: ±1"



# Submittal Sheet

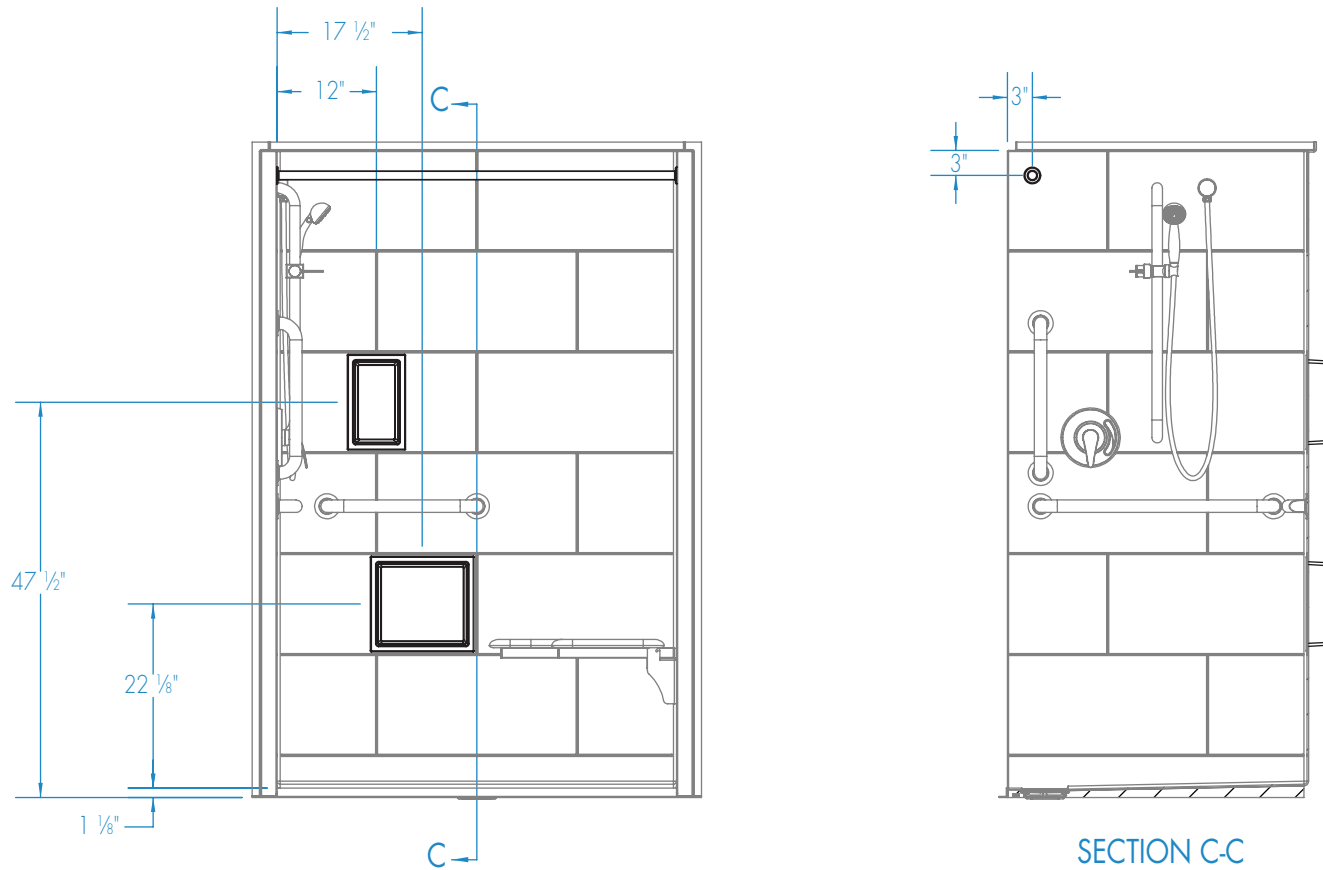
Aquatic products may be specified as Lasco Bathware.

# 14836BFSBTTR

 ANSI Type B Compliant with Seat

Please indicate changes needed.

## Curtain Rod and Soap Dish Locations (Standard Valve Configuration)



Shell tolerance: +0, - 3/8" All other tolerances: ±1"