



Submittal Sheet

Aquatic products may be specified as Lasco Bathware.

13636BFSBTTR

ADA Compliant

CUSTOMER: _____
 JOB NAME: _____
 PO #: _____ QUOTE #: _____
 DATE: _____ QUANTITY: _____
 SHIP TO: _____

_____/_____/_____
 PLUMBING CONTRACTOR APPROVAL DATE

_____/_____/_____
 GENERAL CONTRACTOR APPROVAL DATE

_____/_____/_____
 ENGINEER APPROVAL DATE

_____/_____/_____
 ARCHITECT APPROVAL DATE

CONFIGURATION (handed by seat location)

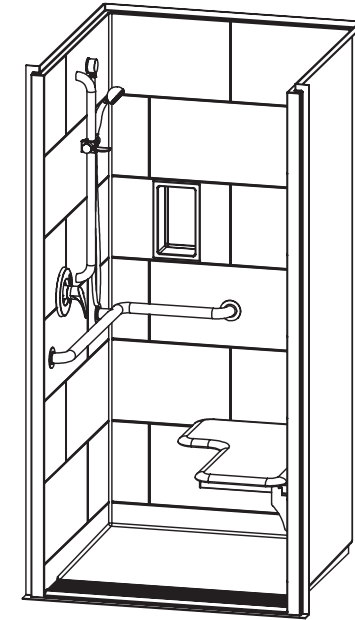
- Shell reinforced for future accessory installation
 - Seat Wall LH RH
 - Optional vertical bar reinforcement (entry wall)
 - LH RH Both
- Fully configured with seat — ADA
 - Seat Location LH RH
 Includes 1 1/2" diameter stainless L-shaped grab bar; white cushioned, L-shaped fold-up seat; pressure balancing mixing valve; hand-held shower assembly; and stainless steel grate. Grab bar, mixing valve and handheld shower installed opposite seat per ADA guidelines.

CUSTOM OPTIONS (not avail. if ADA configuration is selected)

- L-shaped fold-up seat LH RH
 - Cushioned white Phenolic teak Phenolic white
- Horizontal L-shaped grab bar
 - Stainless steel (1 1/2" dia.) LH RH
 - Powder-coated white (1 1/4" dia.) LH RH
- Fixture Wall LH RH Back wall
- Hand-held shower assembly with 30" slide bar and 60" hose
- Pressure balancing mixing valve
- Grate:
 - Stainless steel
 - White

OPTIONAL ACCESSORIES (available for all models)

- Large soap dish (12 1/2" W x 3 1/2" D x 1 1/2" H), shipped loose
- Small soap dish (7" W x 3 1/2" D x 1 1/2" H), shipped loose
- Curtain rod (Not ADA compliant)
- Shower curtain
- Brass drain
- Colors:
 - Standard White
 - Upgraded Biscuit Bone
 - Other (contact customer service for custom color options)
- Additional accessories:



STANDARD FEATURES

- Pre-leveled base
- AcrylX™ applied acrylic surface
- 1/2" skirt
- 1/2" COL exterior threshold
- Compliant when properly installed
- Center drain outlet
- Integral front trench drain
- Lifetime Limited Warranty Residential Use/ 30-year Commercial Use
- 12" x 24" subway tile
- Slip resistant, textured bottom [ASTM F-462]
- Code compliant when fully equipped and installed according to guidelines

Int. Dim.	36 W x 36 D x 76 3/4 H
Ext. Dim.	42 W x 38 1/2 D x 78 3/4 H
Skirt Ht.	1/2 skirt, 1/2 COL exterior threshold
Packaged Wt.	150 lbs.
Material	AcrylX™ applied acrylic
Warranty	Lifetime Limited Residential Use/ 30-year Commercial Use*

* See terms and conditions for details

inches

To complete your order, this document must be signed and faxed to the Aquatic Centralized Customer Service Center.

Fax (866) 544-5353 • Phone (800) 945-2726

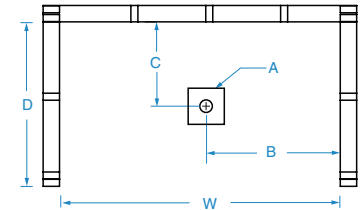


Submittal Sheet

Aquatic products may be specified as Lasco Bathware.

13636BFSBTTR ADA Compliant

Please indicate changes needed.

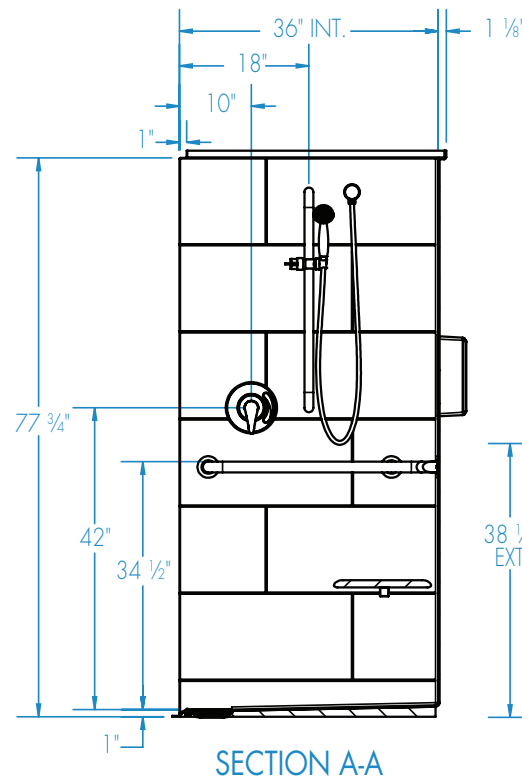
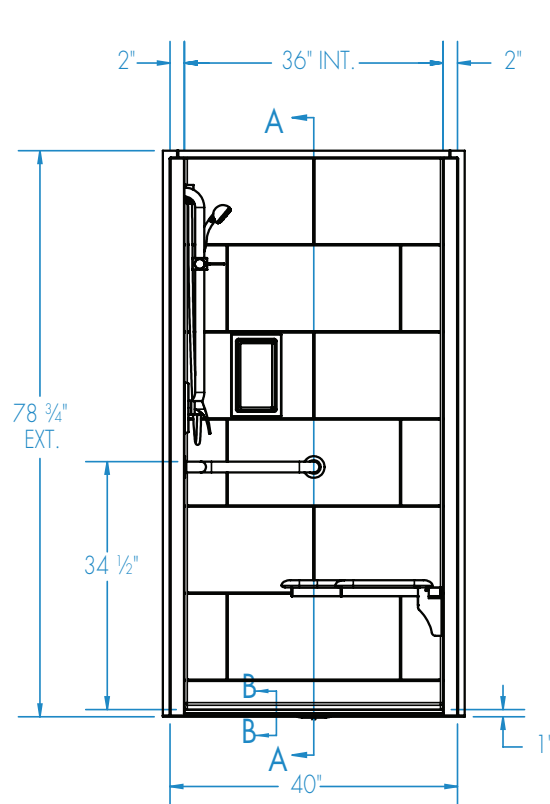


FRAMING DIMENSIONS inches (mm)

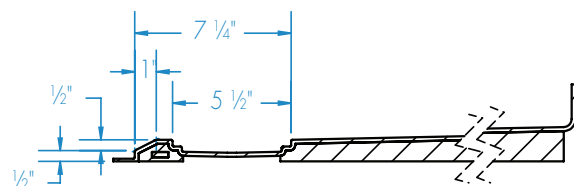
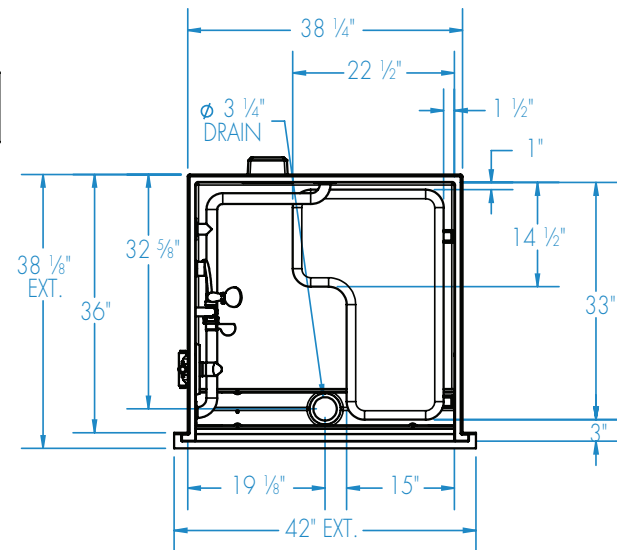
Type	D Depth	W Width	A	B	C
Alcove	36	38 1/4	Box Out	19 1/8	32 5/8

Installation Options:

1. Install in a recessed pit for rough-in floor installation.
2. Build sub-floor to level finished floor with top of shower threshold.



SECTION A-A



SECTION B-B
trench grate (included), not shown

ADA/ANSI compliant when fully equipped and installed according to guidelines.

Shell tolerance: +0, -3/8" All other tolerances: ±1"



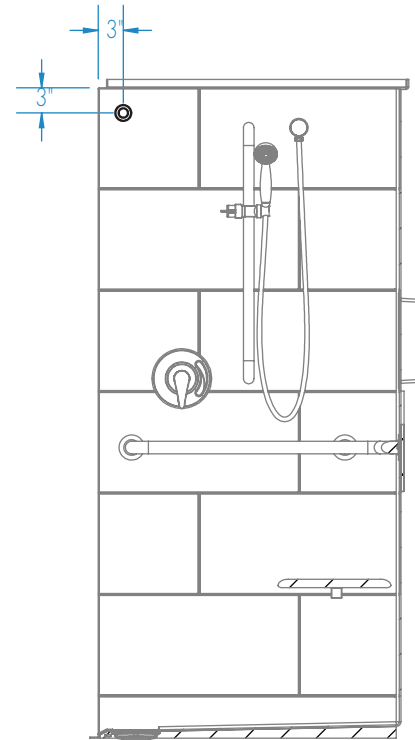
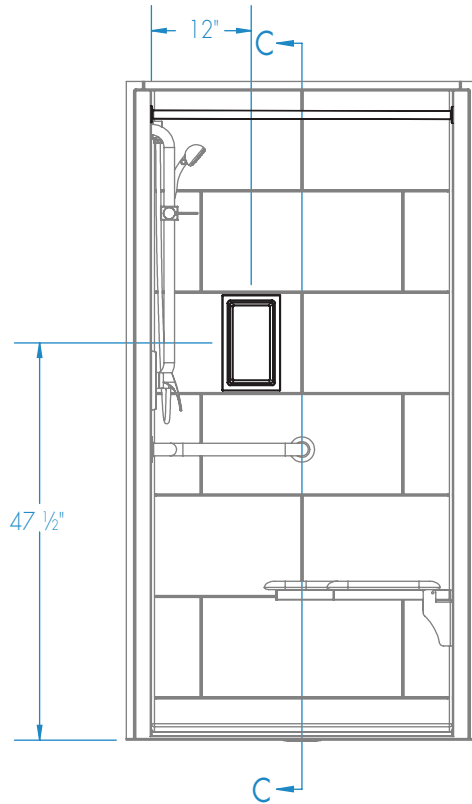
Submittal Sheet

Aquatic products may be specified as Lasco Bathware.

13636BFSBTTR ADA Compliant

Please indicate changes needed.

Curtain Rod and Soap Dish Locations (Standard Valve Configuration)



SECTION C-C

Shell tolerance: +0, - $\frac{3}{16}$ " All other tolerances: ± 1 "