

FREEDOMLINE

by Aquatic

ANSI Changes 2003 VS. 2009 (Grab Bars)

ANSI A117.1 (2003)

608.3.2 Standard roll-in-type showers: In standard roll-in type showers, grab bars shall be provided on three walls of showers without seats. Where a seat is provided in a standard roll-in type shower, grab bars shall be provided on the back wall and on the wall opposite the seat. Grab bars shall not be provided above the seat. Grab bars shall be 6 inches (150 mm) maximum from the adjacent wall.

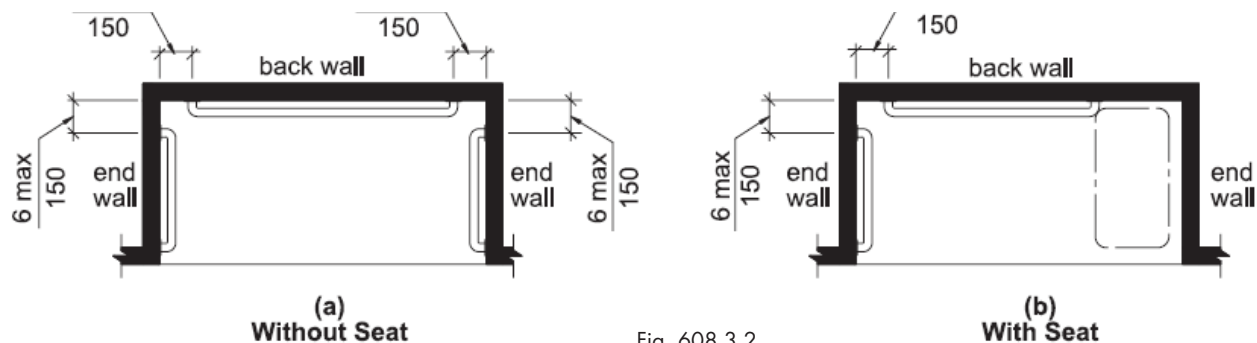


Fig. 608.3.2
Grab Bars in Standard Roll-in-Type Showers

ANSI A117.1 (2009)

608.3.2 Standard roll-in-type showers:

In standard roll-in type showers, a grab bar shall be provided on the back wall beginning at the edge of the seat. The grab bars shall not be provided above the seat. The back wall grab bar shall extend the length of the wall but shall not be required to exceed 48 inches (1220 mm) in length. Where a side wall is provided opposite the seat within 72 inches (1830 mm) of the seat wall, a grab bar shall be provided on the side wall opposite the seat. The side wall grab bar shall extend the length of the wall but shall not be required to exceed 30 inches (760 mm) in length. Grab bars shall be 6 inches (150 mm) maximum from the adjacent wall.

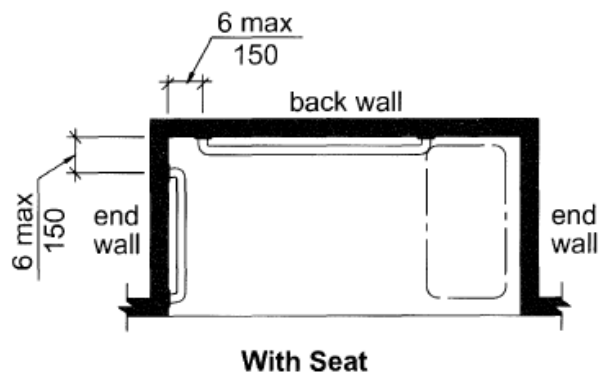


Fig. 608.3.2
Grab Bars in Standard Roll-in-Type Showers